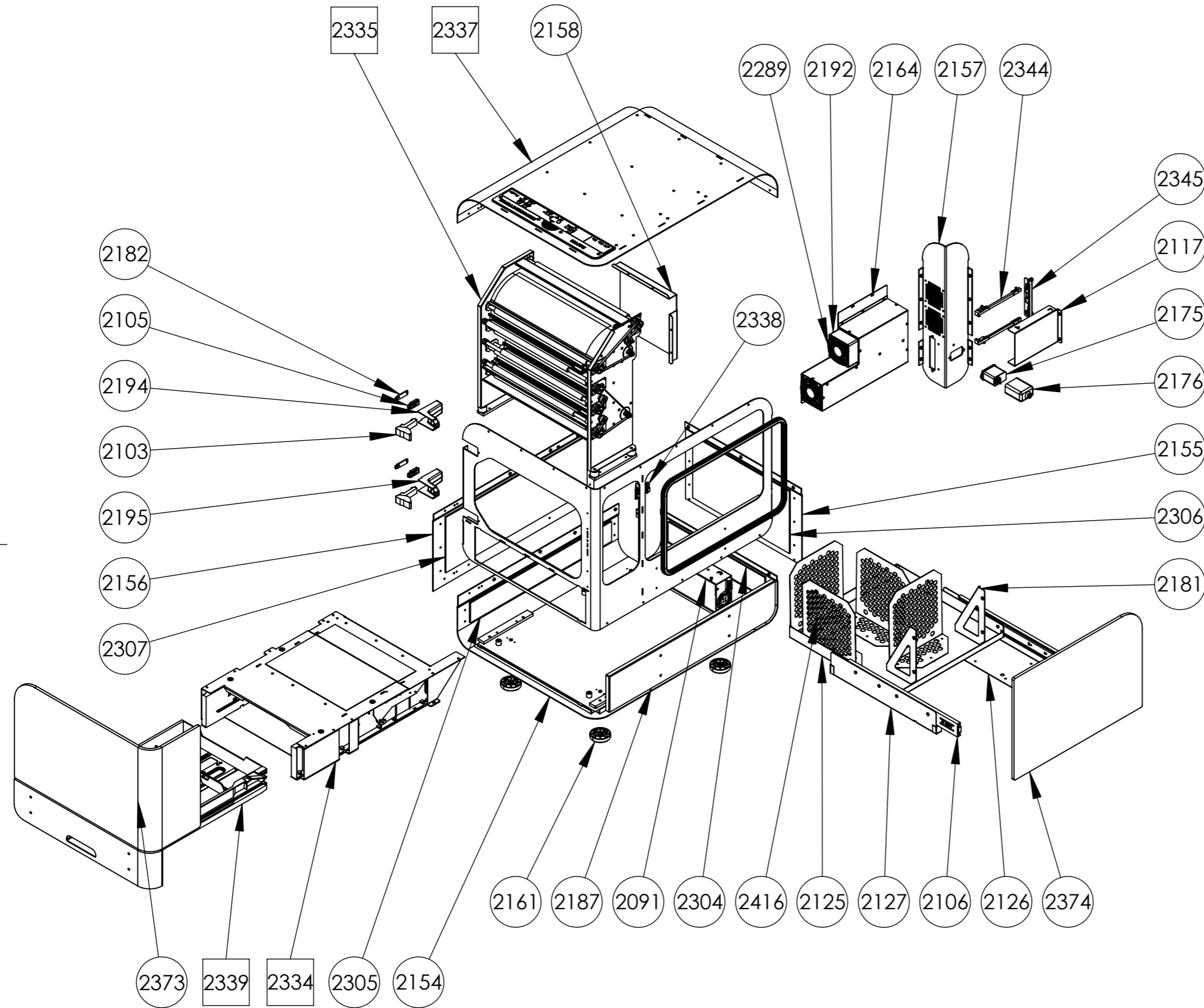


X = Spare parts on separate sheet.



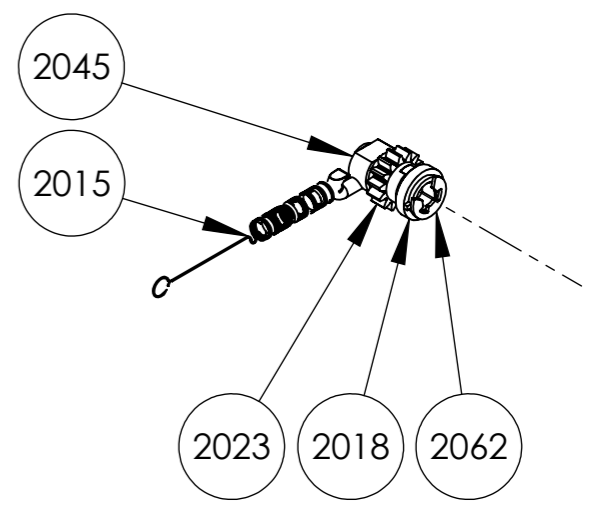
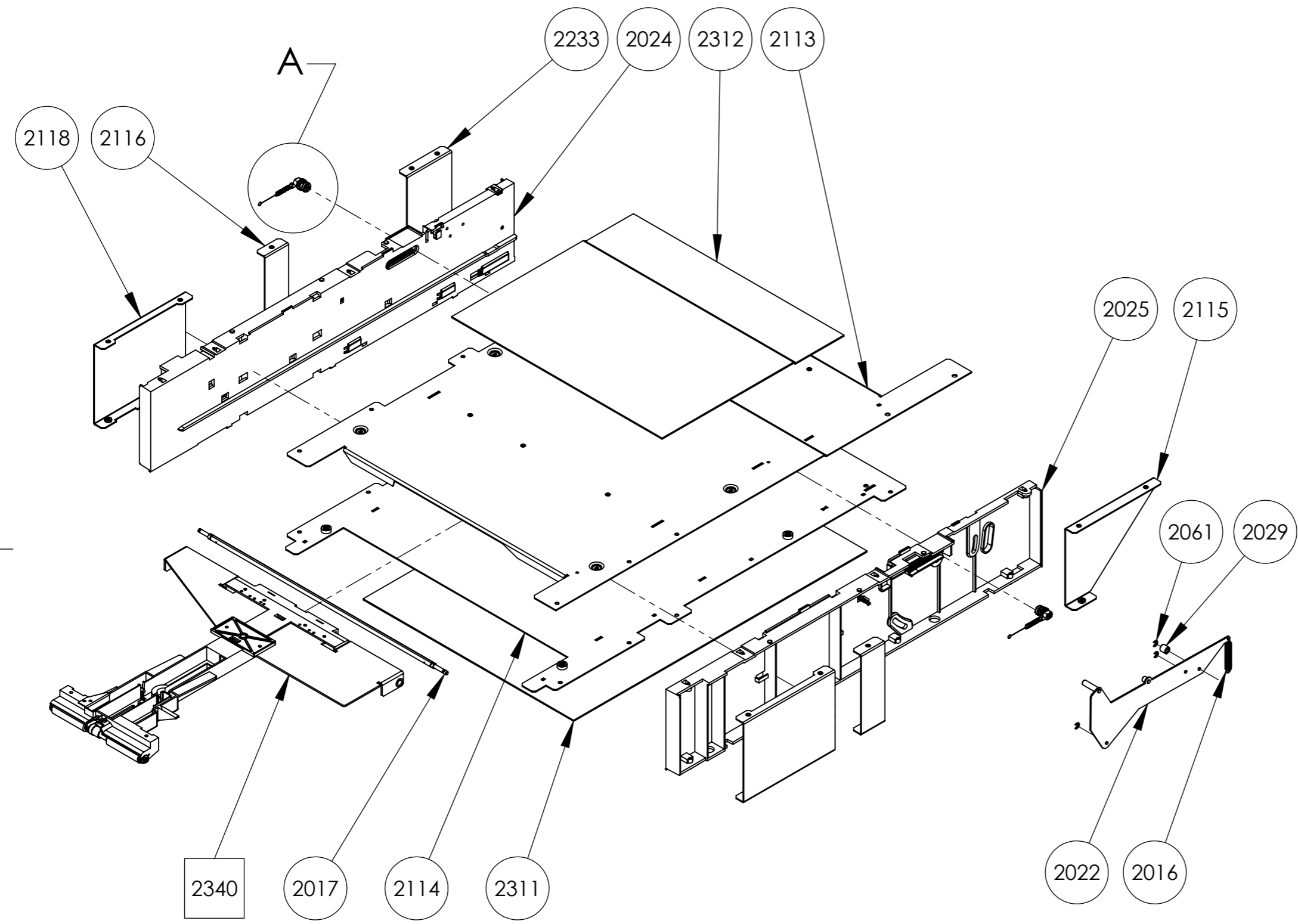
4	Paper Guide Module	2416
1	Power Inlet Insulation	2176
1	Guide Rail 160mm	2344
2	Fan Guard 80X80	2289
1	Fan 80X80X38	2192
1	Power Inlet With Filter	2175
1	Power Supply	2091
1	TeleScopic Slide	2106
1	1362-A Module	2345
1	Knurled Nut	1757
1	Split Pin	2342
1	Clevis Pin with head	2341
1	Locking Pin	2316
2	Hinge for Glas	2103
2	Mounting Plate for Hinge	2105
2	Hinge Holder	2182
1	Plate Protection PCB	2158
1	Paper Tray Module	2339
2	Glass Bracket	2181
1	Plate Paper Bin	2125
1	Side Panel	2187
1	Glas Side Module	2374
1	Glass Front Bended Module	2373
1	Cover Hinge Upper	2194
1	Cover Hinge Lower	2195
1	Front Module	2338
1	Roof Module	2337
1	Plate Bracket Paper Bin Right	2126
1	Plate Bracket Paper Bin Left	2127
1	Plate PCB-Board Holder	2117
1	Plate Power	2157
1	Ventilation Module	2164
1	Soundproofing mat	2305
1	Soundproofing mat	2304
1	Soundproofing mat	2306
1	Soundproofing mat	2307
1	Plate Back Outer Cover	2155
1	Plate Left Outer Cover	2156
1	Embosser Unit	2335
4	Big Foot 1002	2161
1	Sheet Feeder	2334
1	Plate Bottom Outer Cover	2154
QTY	Part Name	Part Number

This document must not be copied without our written permission, and the contents thereof must not be imparted to a third party nor be used for any unauthorized purpose. Contravention will be prosecuted.



Owner		Part Name	
		BrailleBox V4	
Part Number		Drawn by	Approved by
2010		Mattias	
Date	2012-08-17	Format	A3
		Scale	1:1
		Revision	
		Sheet	1/1

This document must not be copied without our written permission, and the contents thereof must not be imparted to a third party nor be used for any unauthorized purpose. Contravention will be prosecuted.



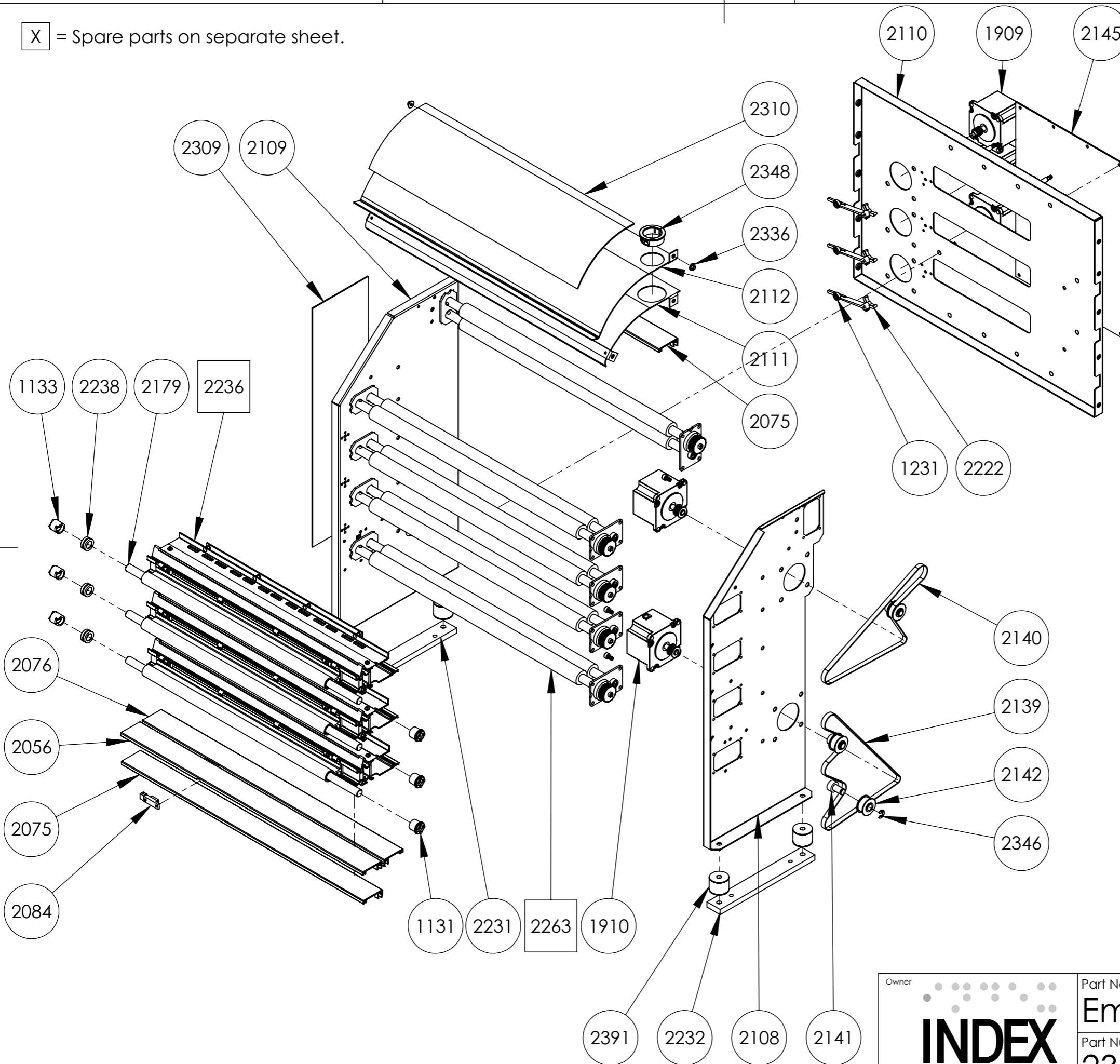
DETAIL A
SCALE 2 : 3

2	E-Clip RS 4 fzb	2062
5	E-Clip RS	2061
2	Fastening Spring	2045
2	Spring	2015
1	Hub	2029
2	Roller	2018
2	Gear Wheel	2023
1	Shaft, Salmon	2017
1	Spring	2016
1	Separation Arm Module	2340
1	SoundProofing Mat	2312
1	SoundProofing Mat	2311
1	Lever cpl.	2022
1	Plate Sheet Feeder Bracket	2233
1	Plate Sheet Feeder Back	2115
2	Plate Sheet Feeder Bracket	2116
2	Plate Embosser Unit Holder	2118
1	Plate Sheet Feeder Top	2113
1	Side-Frame, right 2	2025
1	Side-Frame, left 2	2024
1	Plate Sheet Feeder Bottom	2114
QTY	Part Name	Part Number

X = Spare parts on separate sheet.

	Part Name		Sheet Feeder	
	Part Number		2334	
Owner	Drawn by	Approved by	Format	Scale
	Mattias		A3	1:10
Date	2012-08-17	Revision		Sheet
				1/1

X = Spare parts on separate sheet.



3	BallBearing 623-ZZ	1231
3	Screw MC6S 8.8 M4x8 fzb	2429
1	Snap In Bushing	2348
1	PCB 1362-B	2145
3	Locking Ring	2238
3	Axle 10x417	2179
3	Embosser Head BrailleBox	2236
3	Holder axle attachment left	1133
3	Holder axle attachment right	1131
1	Paper Sensor	2084
2	Flange Bearing	2336
1	SoundProofing Mat	2310
1	SoundProofing Mat	2309
3	Stepper Motor Head	1909
3	Spring Stretcher	2222
1	Mounting Plate Left	2231
1	Mounting Plate Right	2232
4	Vibration Damper	2391
5	Shaft Module	2263
1	Timing Belt	2140
1	Timing Belt	2139
2	Stepper Motor Paper	1910
3	E-Clip RS5 fzb	2346
3	Idler Pulley	2142
3	Pulley Stub Axle	2141
1	Profile Paper Sensor	2056
1	Profile Paper Clearance Hole	2076
2	Profile Paper Guide	2075
1	Plate PaperGuide Outer	2112
1	Plate PaperGuide Inner	2111
1	Plate Side Right	2108
1	Plate Center	2110
1	Plate Side Left	2109
QTY	Part Name	Part Number

This document must not be copied without our written permission, and the contents thereof must not be imparted to a third party nor be used for any unauthorized purpose. Contravention will be prosecuted.



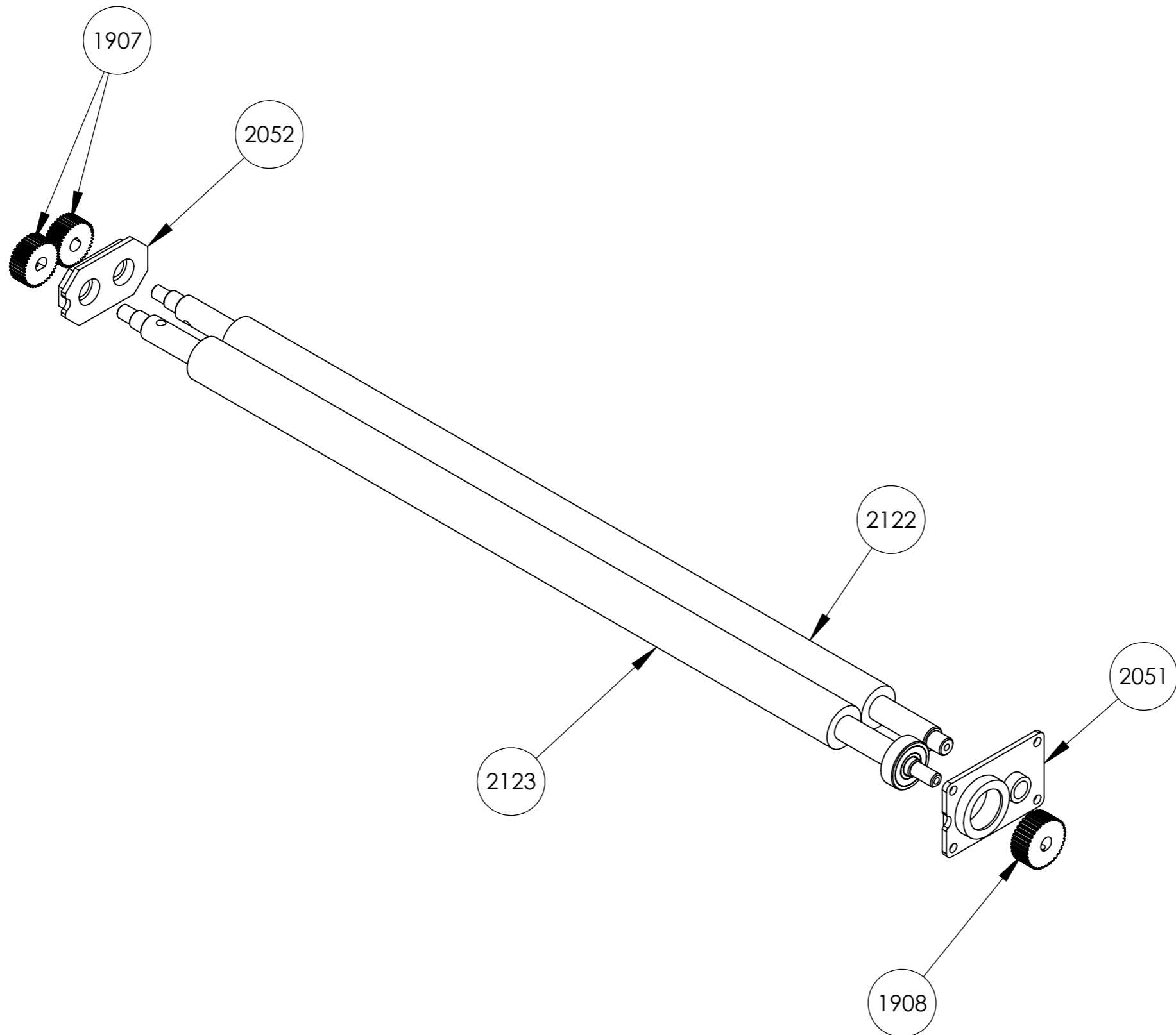
Owner
Part Name
Embosser Unit

Part Number
2335

Drawn by
Mattias
Date
2012-08-17

Approved by

Format
A3
Scale
1:20
Revision
Sheet
1/1



2	Gear wheel 40 step	1907
1	Pulley 36 step	1908
1	Housing bearing Right	2052
1	Shaft with rubber	2122
1	Shaft with rubber	2123
1	Housing Bearing Right	2051
QTY	Part Name	Part Number

This document must not be copied without our written permission, and the contents thereof must not be imparted to a third party nor be used for any unauthorized purpose. Contravention will be prosecuted.



Owner
 Part Name
Shaft Module

Part Number
2263

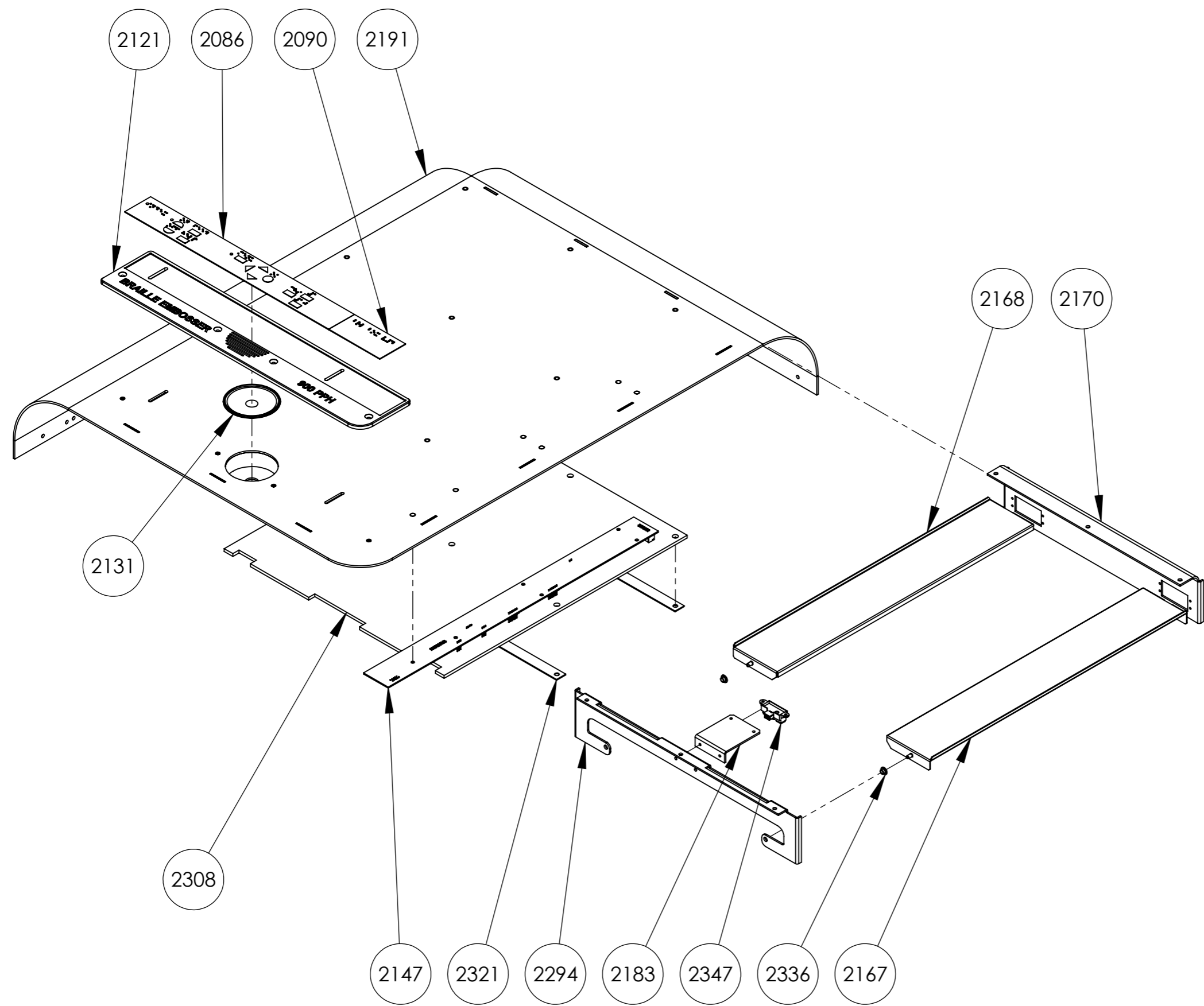
Drawn by
Mattias
 Date
2012-08-17

Approved by



Format **A3** Scale **1:2**
 Revision **_+** Sheet **1/1**

This document must not be copied without our written permission, and the contents thereof must not be imparted to a third party nor be used for any unauthorized purpose. Contravention will be prosecuted.

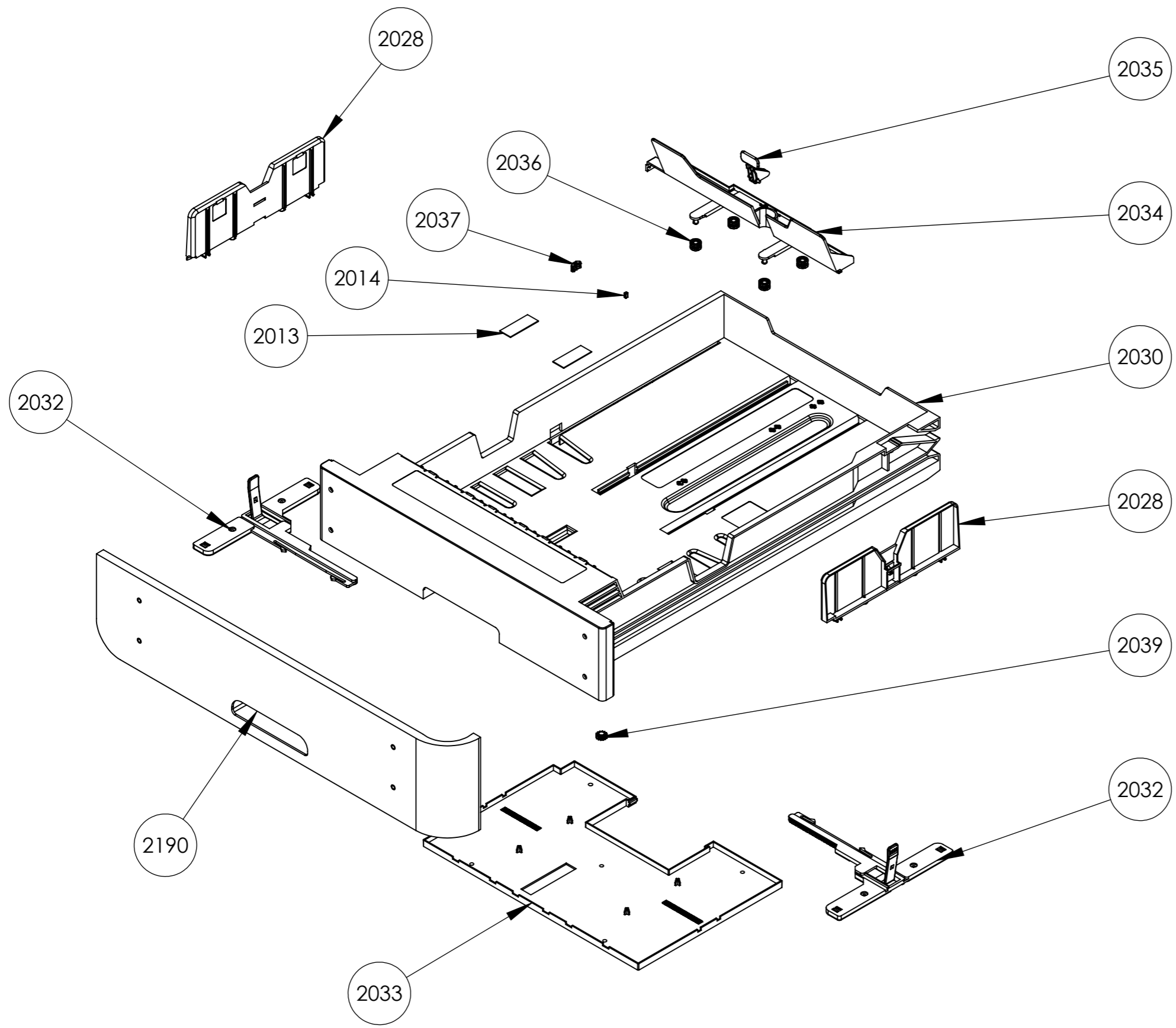


1	1362D	2147
2	Screw Plate	2321
1	Label Control Panel, BB	2090
1	Control Panel V4	2086
1	Sensor	2347
1	Paper Sensor Bracket	2183
1	Speaker with Cable	2131
2	Flange Bearing	2336
1	Paper Guide Right	2167
1	Papper Guide Left	2168
1	Bracket Paper Guide Back	2170
1	Soundproofing mat	2308
1	Bracket Paper Guide Front	2294
1	Plate Panel	2121
1	Plate Top Outer Cover	2191
QTY	Part Name	Part Number



Part Name		Roof Module	
Part Number	2337	Drawn by	Mattias
Date	2012-08-17	Approved by	
Format	A3	Scale	1:10
Revision		Sheet	1/1

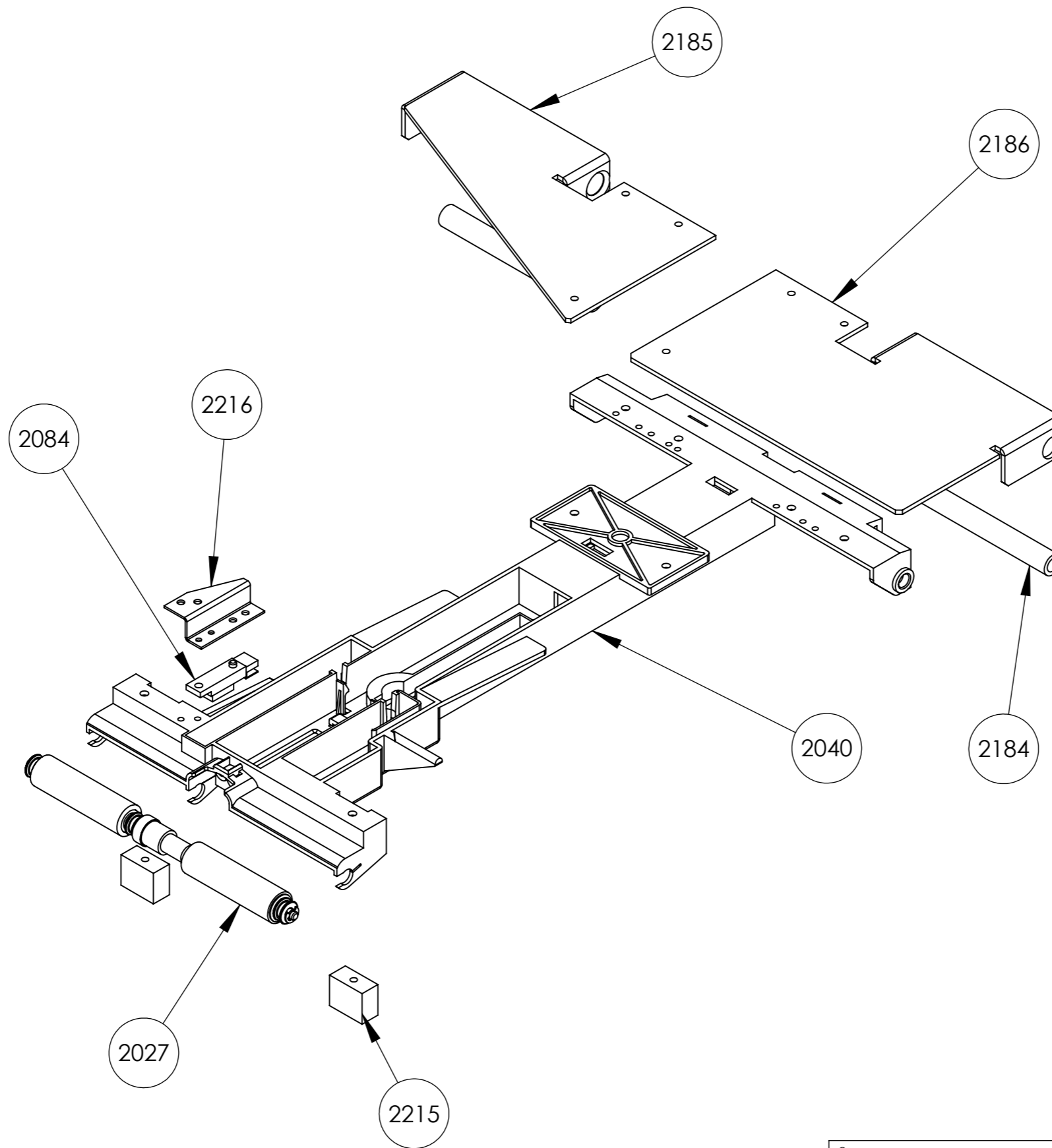
This document must not be copied without our written permission, and the contents thereof must not be imparted to a third party nor be used for any unauthorized purpose. Contravention will be prosecuted.



2	Spacer Paper Tray	2363
6	Paper Guide	2038
2	Magnet Neodym	2014
1	Gear Wheel	2039
2	Sheet Feeder Cork Pad	2013
2	Magnet Holder	2037
4	Guideroller	2036
2	Sideguide Bottom	2032
2	Sideguide Top	2028
1	Paper Tray Front	2190
1	Cover Plate	2033
1	Rear Stop Lever	2035
1	Rear stop	2034
1	Paper tray	2030
QTY	Part Name	Part Number

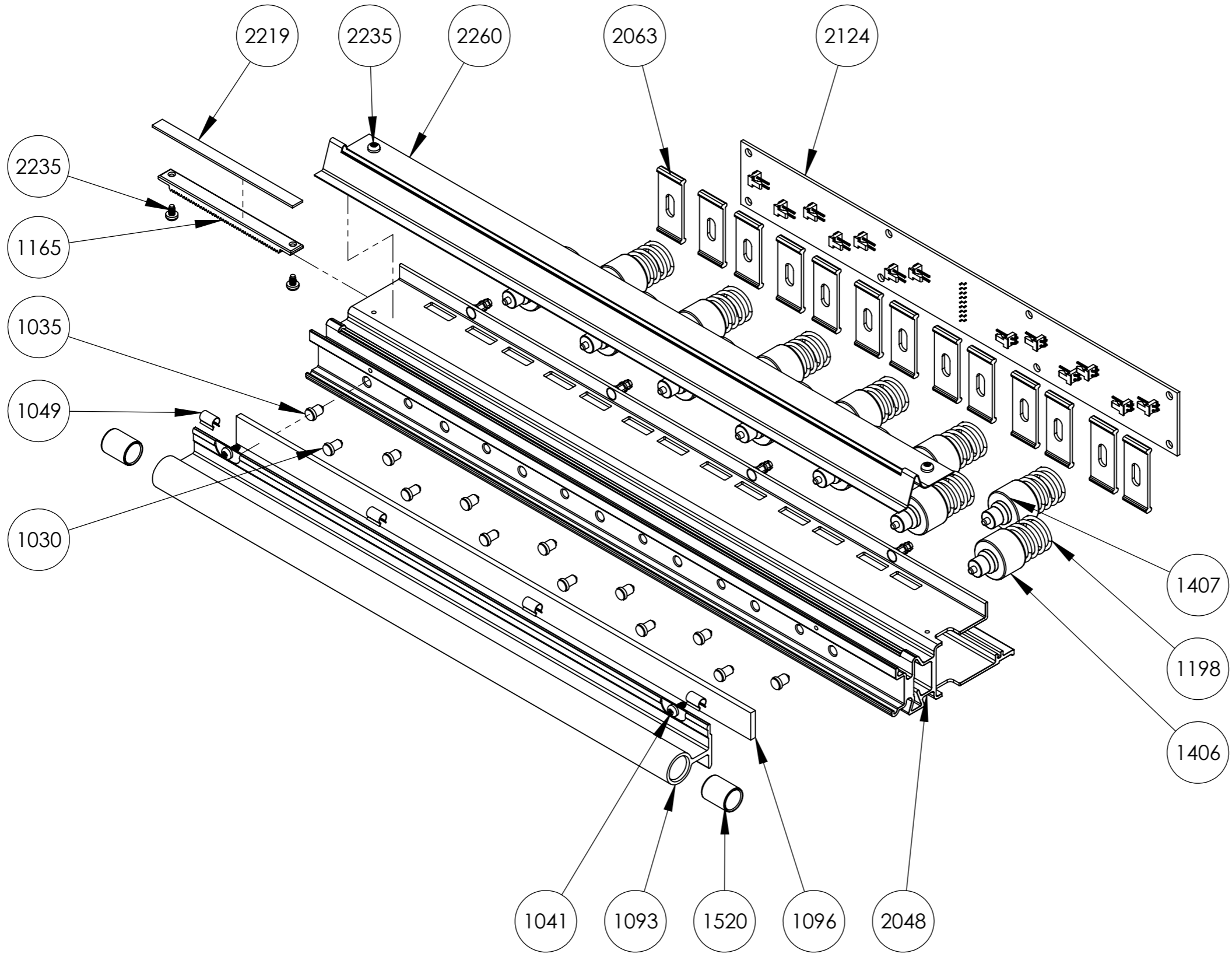
	Part Name Paper Tray Module			
	Part Number 2339	Drawn by Mattias	Approved by	Format A3
	Date 2012-08-17		Revision	Scale 1:5
			Sheet 1/1	

This document must not be copied without our written permission, and the contents thereof must not be imparted to a third party nor be used for any unauthorized purpose. Contravention will be prosecuted.



1	Separation Shaft cpl	2027
2	Weight	2215
1	Bracket Left Separation Arm	2185
2	Spacer Separation Arm	2184
1	Bracket Right Separation Arm	2186
1	Paper Sensor	2084
1	Bracket Paper Sensor	2216
1	Separation Arm	2040
QTY	Part Name	Part Number

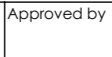
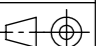
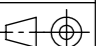
	Part Name Separation Arm Module			
	Part Number 2340	Drawn by Mattias	Approved by	Format A3
	Date 2012-08-17		Revision	Scale 1:2
			Sheet	1/1



2	Screw RXK ST2,9x6,5-fzb	1041
4	Screw RXK ST2,9x4,5 fzb	2235
6	Hammer Negative	1407
7	Hammer Positive	1406
13	Spring for hammer	1198
1	Embosser Head Plastic	2219
2	Slide Bearing	1520
1	Paper Guide EmbosserHead	2260
13	Profile Hammer Lid	2063
4	Holder clips Embosser Head	1049
6	Anvil Negative	1030
7	Anvil Positive	1035
1	Bord Embossing Head PCB V4	2124
1	Gear bar, embosser head	1165
1	Rubber damper	1096
1	Profile Hammer BrailleBox	2048
1	Profile Bearing	1093
QTY	Part Name	Part Number

This document must not be copied without our written permission, and the contents thereof must not be imparted to a third party nor be used for any unauthorized purpose. Contravention will be prosecuted.



Owner		Part Name	
INDEX BRAILLE		Embosser Head BrailleBox	
		Part Number	Drawn by Mattias
2236		Approved by 	Format A3
Date 2012-08-17			Scale 1:5
		Revision 	Sheet 1/1