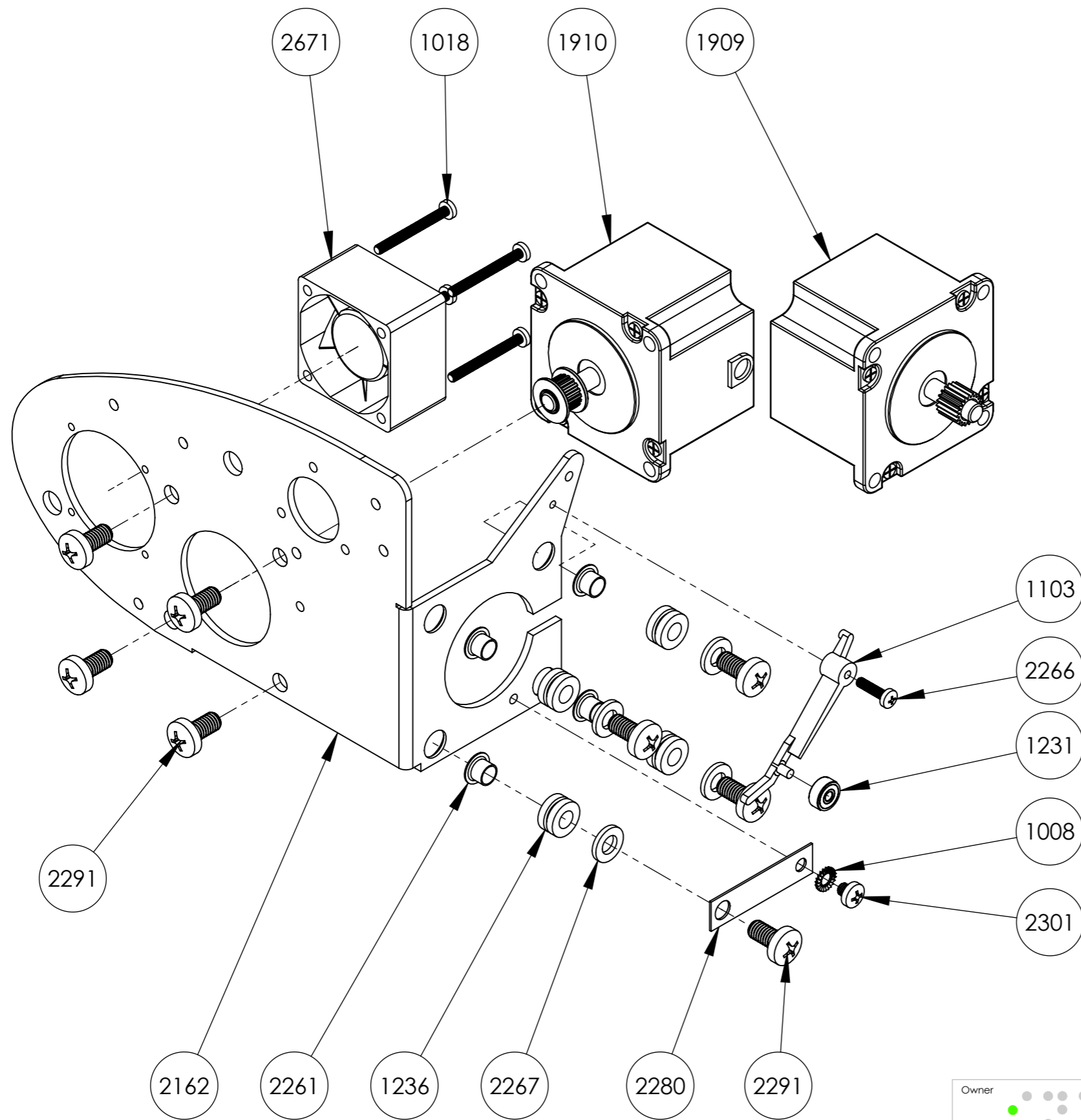


This document must not be copied without our written permission, and the contents thereof must not be imparted to a third party nor be used for any unauthorized purpose. Contravention will be prosecuted.

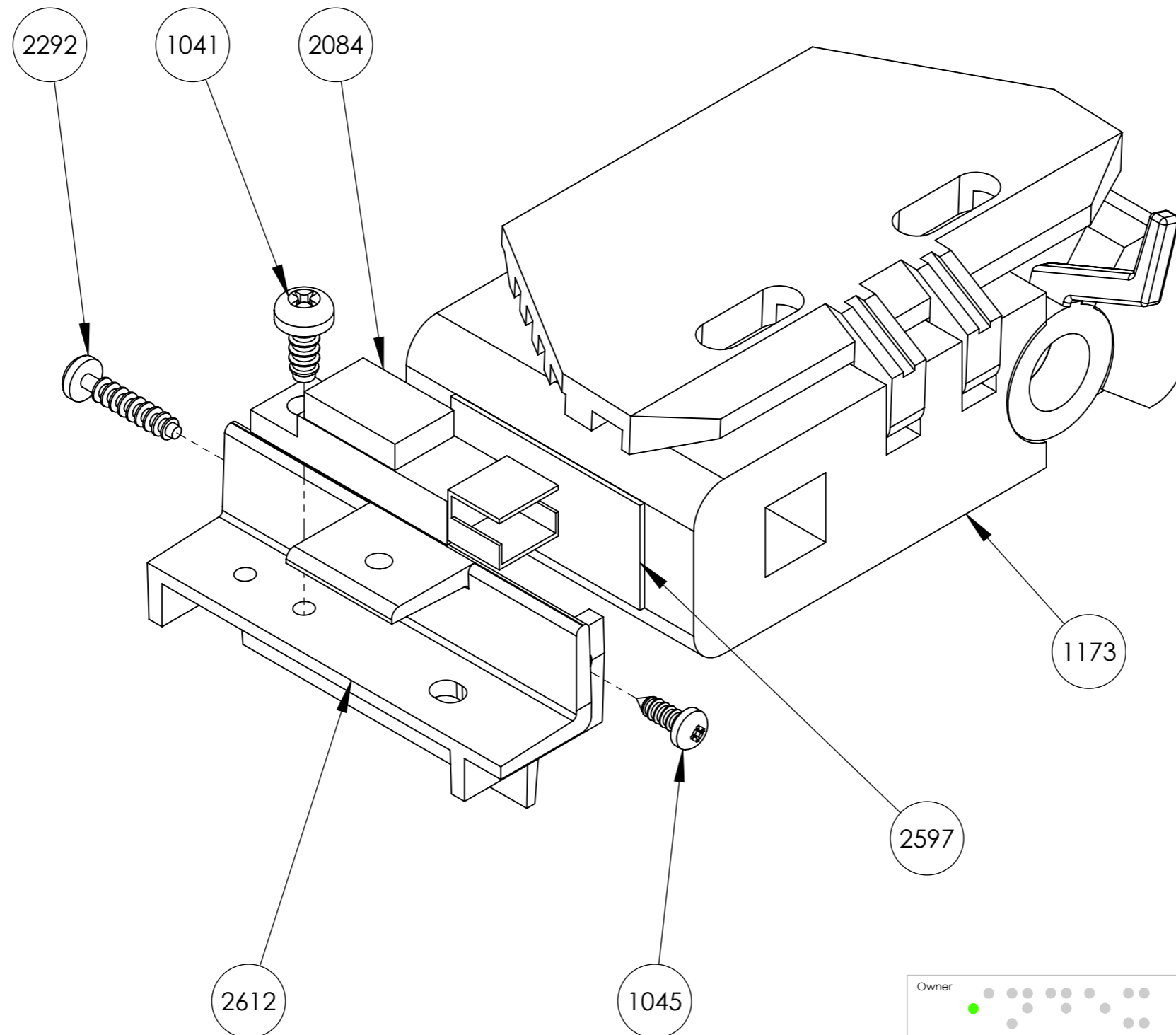


2671	Fan 40x40x24	1
2301	Screw MRX M4x4 fzb	1
2291	Screw MRX M6x12 fzb	8
2280	Grounding Plate Motor	1
2267	Washer BRB HB200 6,4x12x1,6 fzb	4
2266	Screw MRX M3x12 fzb	1
2261	Flange Pipe 7x0,45x5 P H10	4
2162	Plate Right Motor	1
1910	Stepper Motor Paper	1
1909	Stepper Motor Head	1
1236	Rubber damper	4
1231	BallBearing 623-ZZ	1
1103	Spring Stretcher	1
1018	Screw MRX M3x30 fzb	4
1008	Lock Washer AZ4,3 fzb	1
Part Number	Part Name	QTY



Owner	Part Name								
	Plate Right Motor Module								
Part Number	2384	Drawn by	Mattias	Approved by	Janne	Format	A3	Scale	1:5
Date	2016-09-06	Revision	-	Sheet	1/1				

This document must not be copied without our written permission, and the contents thereof must not be imparted to a third party nor be used for any unauthorized purpose. Contravention will be prosecuted.



2597	Tape Attachment Pad	1
2292	Screw WN 1412 2,5x12 fzb	1
2612	Bracket Papersensor	1
2084	Paper Sensor	1
1173	Tractor Left Switch Side	1
1045	Screw RXS ST2,2x6,5 fzb	1
1041	Screw RXK ST2,9x6,5-fzb	1
Part Number	Part Name	QTY



Owner
 Part Name
Tractor Left Sensor Side

Part Number
2283

Drawn by
Mattias
 Date
 2016-09-06

Approved by
Janne

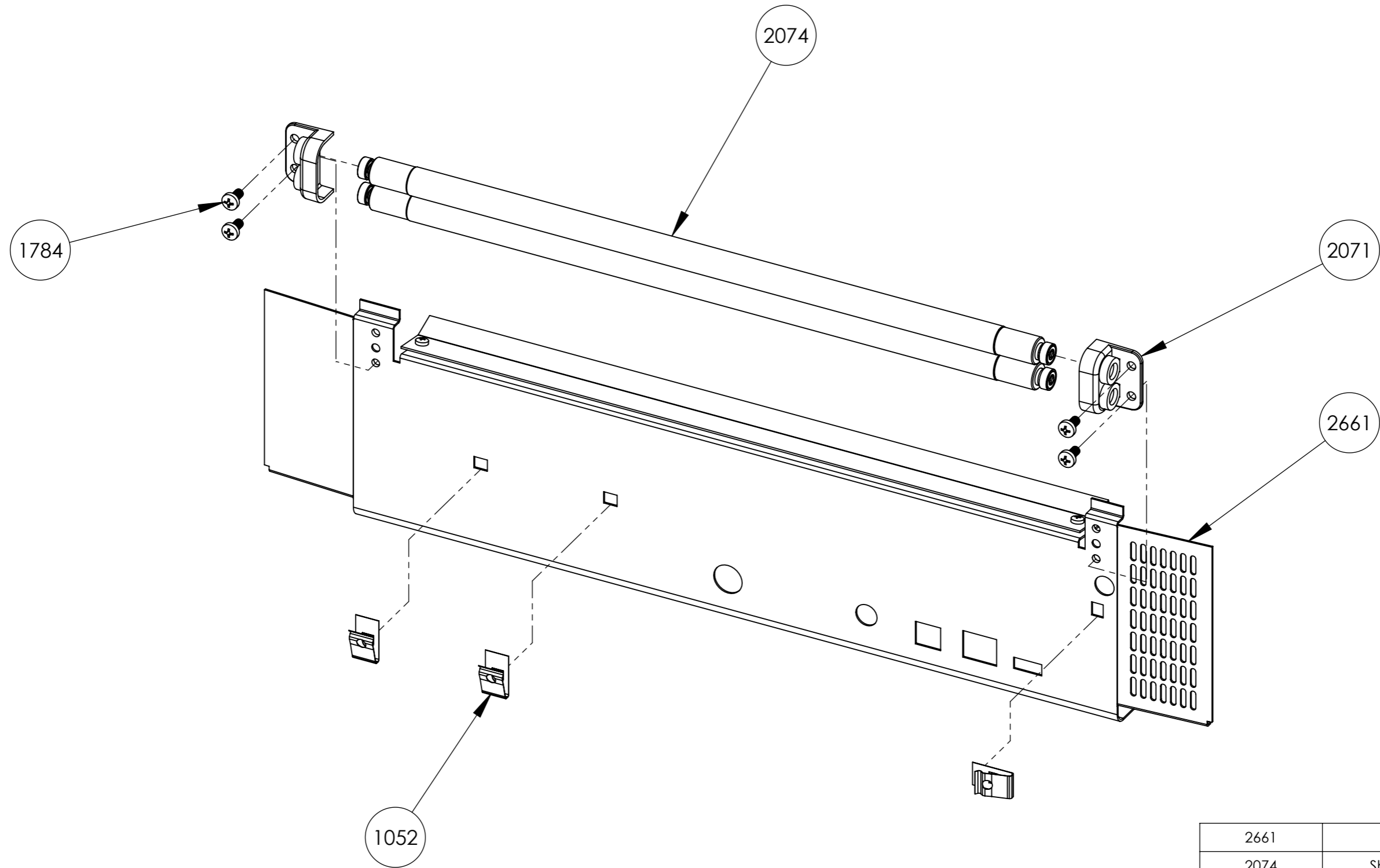


Format
A3

Revision
 -

Scale
1:1
 Sheet
1/1

This document must not be copied without our written permission, and the contents thereof must not be imparted to a third party nor be used for any unauthorized purpose. Contravention will be prosecuted.



2661	Back Plate V5	1
2074	Shaft with Rubber	2
2071	Roller Attachment Back Plate	2
1784	Screw MRX M4x8 fzb	4
1052	Holder Cips Transportlocking	3
Part Number	Part Name	QTY



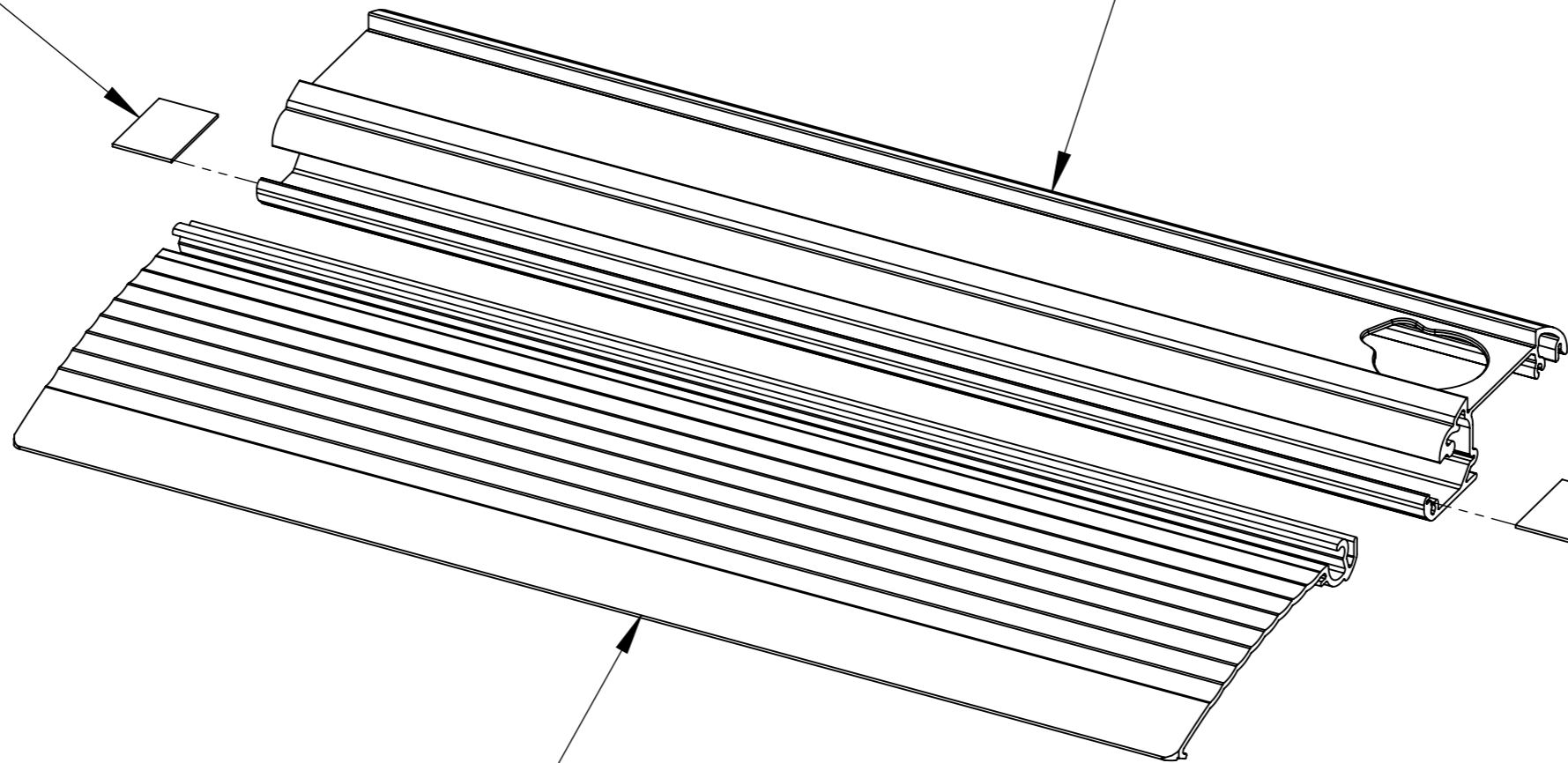
Owner	Part Name				
	Plate Back Basic V5 Module				
Part Number	2683	Drawn by	Mattias	Approved by	Janne
Date	2016-09-06	Format	A3	Scale	1:1
		Revision	-	Sheet	1/1

1102

2613

1102

2099



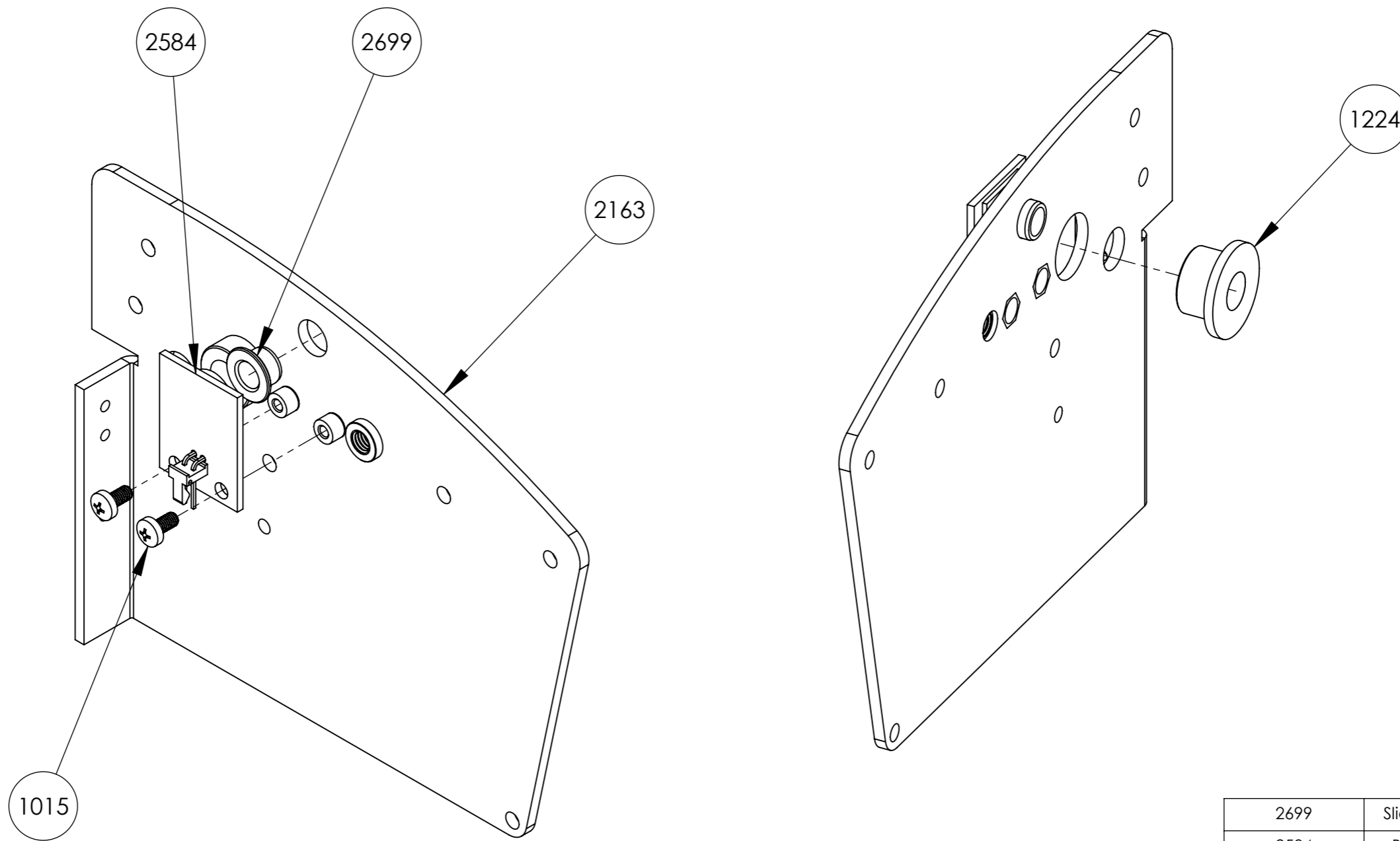
2613	Profile Panel	1
2099	Lid Black	1
1102	Spring led red	2
Part Number	Part Name	QTY

This document must not be copied without our written permission, and the contents thereof must not be imparted to a third party nor be used for any unauthorized purpose. Contravention will be prosecuted.



Owner		Part Name		Scale	
INDEX BRAILLE		Panel Profile Module		1:1	
Part Number		Drawn by	Approved by	Format	Scale
2684		Mattias	Janne	A3	1:1
Date		Revision		Sheet	
2016-09-06		-		1/1	

This document must not be copied without our written permission, and the contents thereof must not be imparted to a third party nor be used for any unauthorized purpose. Contravention will be prosecuted.



2699	Sliding Bearing 6x8x12 D=6	1
2584	Braille Box Lamp PCB V5	1
2163	Plate left	1
1224	Holder bearing gliding tractor	1
1015	Screw MRX M3x6 fzb black	2
Part Number	Part Name	QTY



Owner
Part Name
Plate Left Module

Part Number
2700

Drawn by
Mattias
Date
2016-09-06

Approved by
Janne

Format
A3
Scale
1:1
Revision
-
Sheet
1/1