

Index V5 Embossing Manual



2017 March 6

**INDEX**
BRAILLE

Contents

1. Safety information	1
1.1 Approvals	1
2. Index V5 embosser overview	2
2.1 Backlit text on all models	2
2.2 Basic-D	3
2.2.1 LED feedback Basic-D	4
2.3 Everest-D	5
2.3.1 LED feedback Everest-D	6
2.4 BrailleBox	7
2.4.1 LED feedback BrailleBox	8
2.4.2 Electrical connectors BrailleBox	8
3. Installation	9
3.1 Getting started	9
3.1.1 Unpacking of the embosser	9
3.1.2 Speech feedback	10
3.1.3 Firmware upgrade	11
3.2 Index Braille printer driver	12
3.2.1 Install to USB port	12
3.2.2 Network connection	13
3.2.2.1 Recommended network connection setup	14
3.2.2.2 Wizard for static IP address	15
3.2.2.3 Select Wi-Fi network from control panel	15
3.2.2.4 Index Web App	15
3.2.2.5 Reservation of IP address on DHCP	17
3.3 Printing braille	17
3.3.1 Index-direct-Braille (idB)	18
3.3.1.1 Printing from USB Memory	18
3.3.2 Emboss with idB in Windows	19
3.3.3 Emboss with idB in Mac	19
3.3.4 Emboss with idB in Linux	19
3.3.5 External braille editor	20
4. Paper handling	20
4.1 Supported paper sizes	20
4.2 Paper loading	21
5. Control panel	22
5.1 Menu summary	22
5.1.1 V5 menu	22
5.1.2 Key functions	23
5.1.3 Multiple layouts to customize	25
5.1.4 Menu option V5	26

5.2 Wizards in 2.0	30
5.2.1 Wizards for layouts	30
5.2.1.1 Standard wizard	30
5.2.1.1.I. Edit active layout, standard wizard example	30
5.2.1.1.II. Advanced wizard	31

1 Safety information

- Securely place the printer on a stable surface.
- Keep the ventilation inlets and outlets of the embosser free.
- Connect the embosser to a grounded power outlet only.
- Acoustic Hoods are recommended, for reducing noise level.
- BrailleBox is a class A product. In the unlikely event it causes radio interference, increase the distance between BrailleBox and the device.

1.1 Approvals

FCC Compliance

This device contains FCC ID: PVH0953

This equipment has been tested and found to comply with the limits for a Class B digital device, pursuant to Part 15 of the FCC Rules. These limits are designed to provide reasonable protection against harmful interference in a residential installation. This equipment generates, uses and can radiate radio frequency energy and, if not installed and used in accordance with the instructions, may cause harmful interference to radio communications. However, there is no guarantee that interference will not occur in a particular installation. If this equipment does cause harmful interference to radio or television reception, which can be determined by turning the equipment off and on, the user is encouraged to try to correct the interference by one or more of the following measures:

- Reorient or relocate the receiving antenna
- Increase the separation between equipment and receiver
- Connect the equipment into an outlet on a circuit different from that to which the receiver is connected

Consult the dealer or an experienced radio/TV technician for help.

IC compliance

This device contains IC: 5325-0953

This device complies with Industry Canada license-exempt RSS standard(s).

Operation is subject to the following two conditions:

this device may not cause interference, and this device must accept any interference, including interference that may cause undesired operation of the device. Under Industry Canada regulations, this radio transmitter may only operate using an antenna of a type and maximum (or lesser) gain approved for the transmitter by Industry Canada. To reduce potential radio interference to other users, the antenna type and

its gain should be so chosen that the equivalent isotropically radiated power (e.i.r.p.) is not more than that necessary for successful communication. The device for operation in the band 5150-5250 MHz is only for indoor use to reduce the potential for harmful interference to co-channel mobile satellite systems; the maximum antenna gain permitted for devices in the bands 5250-5350 MHz and 5470-5725 MHz shall comply with the e.i.r.p. limit; and the maximum antenna gain permitted for devices in the band 5725-5825 MHz shall comply with the e.i.r.p. limits

Conformité aux normes d'IC

Cet appareil est conforme à la(aux) norme(s) RSS sans licence d'Industry Canada.

Son utilisation est soumise aux deux conditions suivantes :

Cet appareil ne doit pas causer d'interférences et il doit accepter toutes interférences reçues, y compris celles susceptibles d'avoir des effets indésirables sur son fonctionnement. Conformément aux réglementations d'Industry Canada, cet émetteur radio ne peut fonctionner qu'à l'aide d'une antenne dont le type et le gain maximal (ou minimal) ont été approuvés pour cet émetteur par Industry Canada. Pour réduire le risque d'interférences avec d'autres utilisateurs, il faut choisir le type d'antenne et son gain de telle sorte que la puissance isotrope rayonnée équivalente (p.i.r.e) ne soit pas supérieure à celle requise pour obtenir une communication satisfaisante. Le dispositif de fonctionnement dans la bande 5150-5250 MHz est réservé à une utilisation en intérieur pour réduire le risque d'interférences nuisibles à la co-canal systèmes mobiles par satellite, le gain d'antenne maximal autorisé pour les appareils dans les bandes 5250-5350 MHz et 5470-5725 MHz doit se conformer à la pire limite, et le gain d'antenne maximal autorisé pour les appareils dans la bande 5725-5825 MHz doivent être conformes avec le pire limites spécifiées à point-à-ponctuelles et non point-à-point de fonctionnement selon qu'il convient. Opération dans la bande 5600-5650 MHz n'est pas autorisée au Canada. Haute puissance radars sont désignés comme utilisateurs principaux (c.-à-utilisateurs prioritaires) des bandes 5250-5350 MHz et 5650-5850 MHz et que ces radars pourraient causer des interférences et / ou des dommages à dispositifs LAN-EL. Cet équipement respecte les limites d'exposition aux rayonnements IC RSS-102 définies pour un environnement non contrôlé. Il doit être installé et utilisé en maintenant une distance minimum de 20 cm entre le radiateur et votre corps.

Bluetooth Qualification

This device contains Bluetooth module qualified as "Controller system" - QD ID 58171

2 Index V5 embosser overview

Speech feedback refers to the echo in the embosser.

2.1 Backlit text on all models

Bluetooth, Wi-Fi, Network: Flicker when available, and light up when connected.

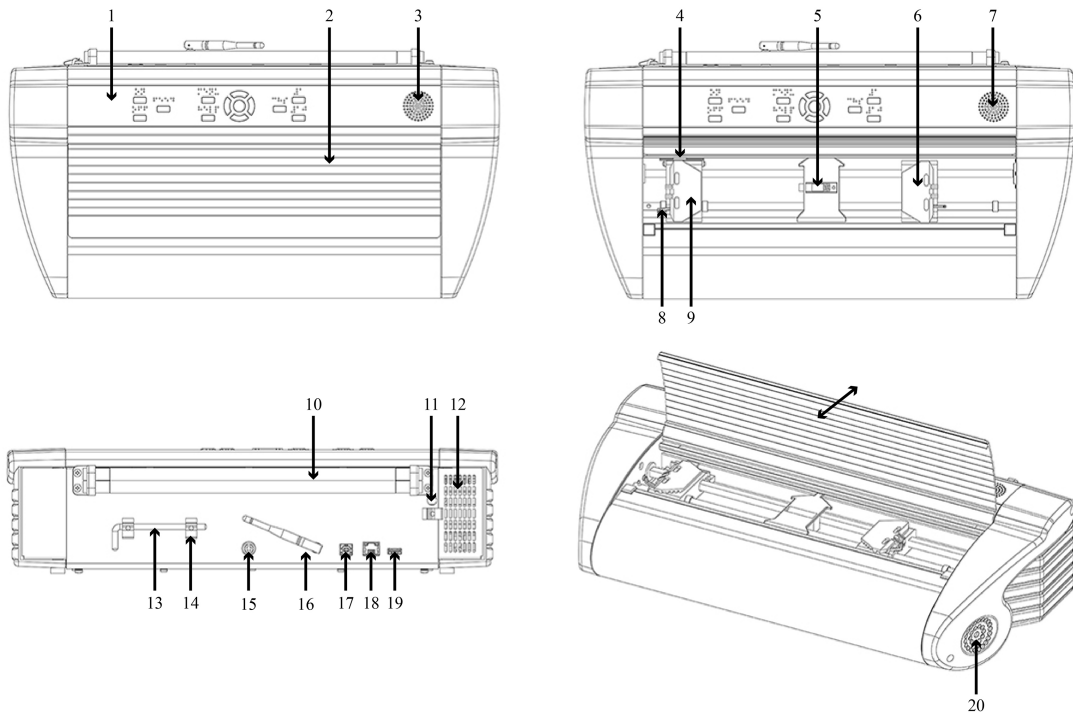
idB: Flicker during translation, and light up during printing with idB.

UPDATE: Require a network connection. Activated when the embosser network is connected. It lights up when an update is available and flickers during a firmware upgrade.

PAPER JAM: Light up when there is a paper jam.



ERROR: Light up when there is an error. Press HELP for more information.

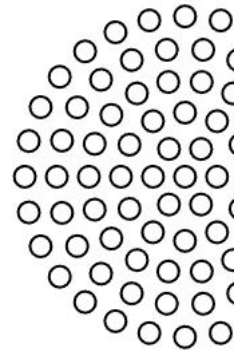
2.2 Basic-D



- | | |
|----------------------------------|---------------------------------|
| 1. Control panel | 10. Paper rollers |
| 2. Lid | 11. Hole for transport lock |
| 3. Speaker | 12. Ventilation inlet |
| 4. Optical paper movement sensor | 13. Transport lock |
| 5. Optical paper edge sensor | 14. Transport lock holder |
| 6. Right tractor | 15. Power input 48V DC |
| 7. Speaker | 16. Wi-Fi and Bluetooth antenna |
| 8. Tractor release lever | 17. USB 2.0 device port |
| 9. Left tractor | 18. Network port (100 MB) |
| | 19. USB host port |
| | 20. Ventilation outlet |

2.2.1 LED feedback Basic-D

   idB
PAPER EDGE **HEAD**
PAPER MOVE **FAN** **PAPER JAM**
ERROR **UPDATE** **OUT OF PAPER**



PAPER MOVE: Flicker when paper is moving.

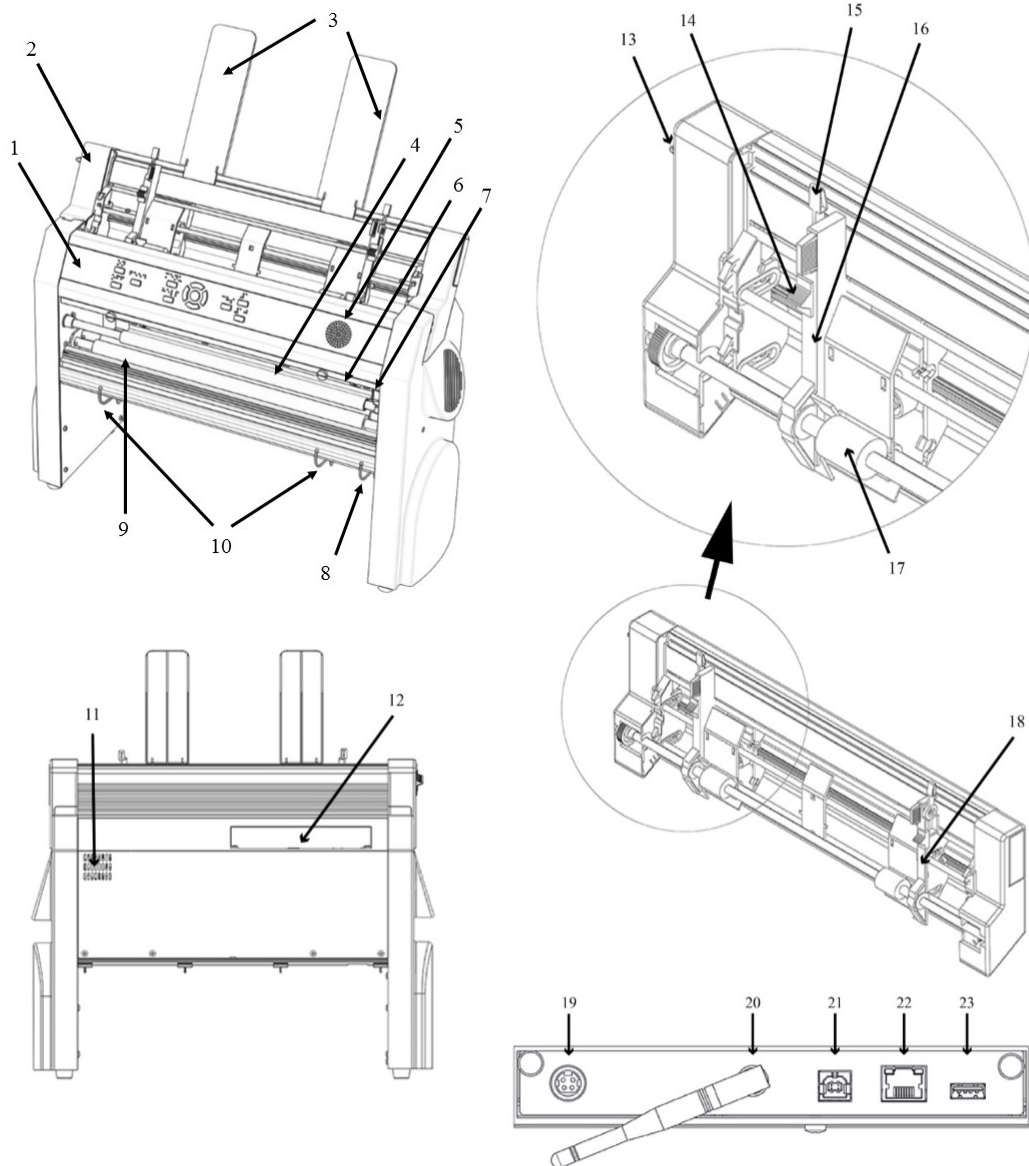
PAPER EDGE: Light up when paper is in front of the paper edge sensor.

HEAD: Light up when the print head is in the home position.

FAN: Light up when the fan is on.

OUT OF PAPER: Light up when there is no paper in the paper tractor.

2.3 Everest-D



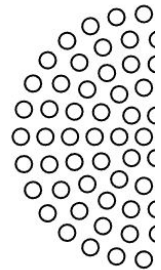
- | | |
|---|---|
| 1. Control panel | 11. Ventilation outlet |
| 2. Sheet feeder | 12. Electrical connectors |
| 3. Paper guides | 13. Switch to close/open the sheet feeder |
| 4. Embossing head | 14. Card/sheet selectors (right/left) |
| 5. Speaker | 15. Locking levers for margin guides (right/left) |
| 6. Optical paper edge sensor | 16. Left margin guide |
| 7. Optical embossing head reference position sensor | 17. Pick-up rollers |
| 8. Outer guides for adjusting paper out profile angle | 18. Right margin guide |
| | 19. Power input 48V DC |

- | | |
|--|---------------------------------|
| 9. Paper movement rollers | 20. Wi-Fi and Bluetooth antenna |
| 10. Inner guides to stabilize paper out ejection | 21. USB 2.0 device port |
| | 22. Network port (100 MB) |
| | 23. USB host port |

2.3.1 LED feedback Everest-D



idB

PAPER IN**HEAD****FEED****FAN****PAPER JAM****ERROR****UPDATE****OUT OF PAPER**

PAPER IN: Light up when paper is in front of the paper edge sensor.

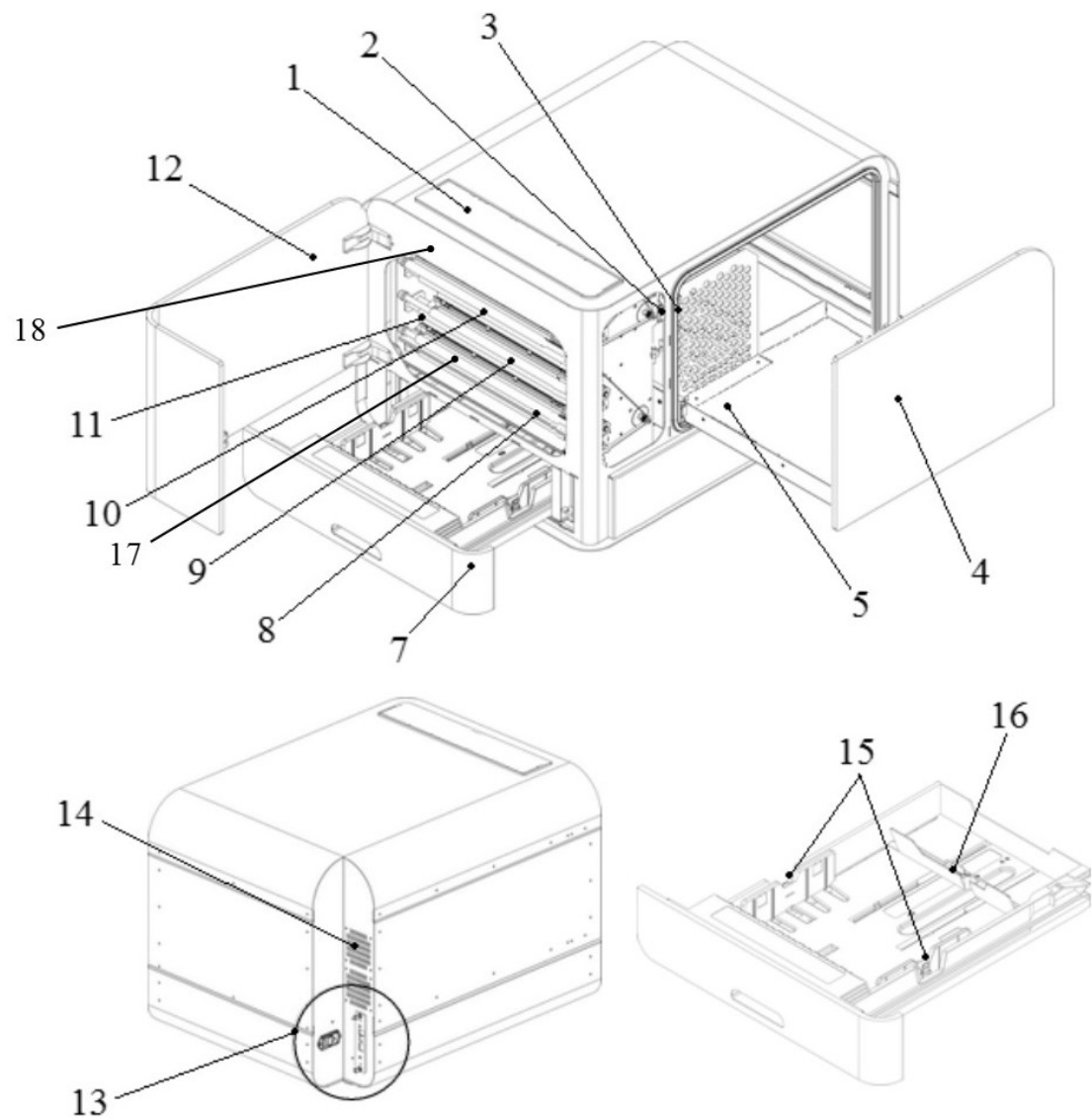
FEED: Light up when paper motor is on.

HEAD: Light up when the print head is in the home position.

FAN: Light up when the fan is on.

OUT OF PAPER: Light up when the paper tray is empty.

2.4 BrailleBox



- | | |
|------------------------------------|---------------------------|
| 1. Control panel | 9. Middle embossing head |
| 2. Optical sensor for service door | 10. Top embossing head |
| 3. Optical sensor for braille tray | 11. Paper rollers |
| 4. Braille tray | 12. Service door |
| 5. Braille stack guide | 13. Electrical connectors |
| 7. Paper tray | 14. Ventilation |
| 8. Bottom embossing head | 15. Paper guides |
| | 16. Rear paper stop lever |
| | 17. Paper-in sensor |
| | 18. Paper-out sensor |

2.4.1 LED feedback BrailleBox



idB

PAPER IN

PAPER TRAY

PAPER OUT

BRAILLE TRAY

OUT OF PAPER

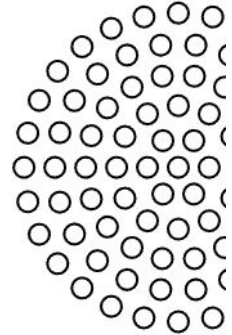
SERVICE DOOR

BRAILLE STACK

PAPER JAM

ERROR

UPDATE



PAPER IN: Light up when paper has begun feeding and reaching the paper-in sensor.

PAPER OUT: Light up when paper reaches the paper-out sensor.

OUT OF PAPER: Light up when the paper tray is empty.

BRAILLE STACK: Light up when the braille stack is too high.

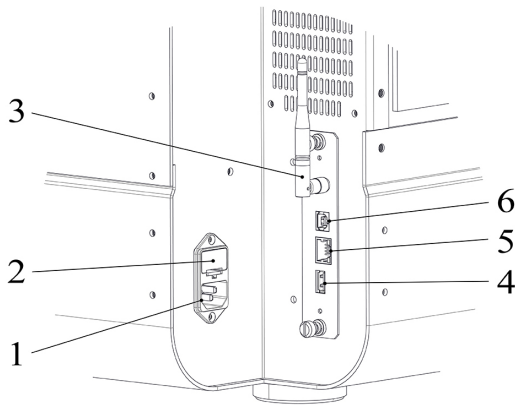
PAPER TRAY: Light up when the paper tray is open.

BRAILLE TRAY: Light up when the braille tray is open.

SERVICE DOOR: Light up when the front service door is open.

2.4.2 Electrical connectors BrailleBox

BrailleBox



1. Power input 100-240V, 50-60 HZ, grounded outlet
2. Fuse 6,3 A/250V slow blow
3. Wi-Fi and Bluetooth antenna
4. USB host port
5. Network port (100 MB)
6. USB 2.0 device port

3 Installation

3.1 Getting started

3.1.1 Unpacking of the embosser

Unpack the embosser gently and check all items. **Save the packing material and transport locks.** The two (2) year warranty on parts remains valid only if the embosser is transported in original packaging, and the transport locks are properly in place.

The following items are included in shipment:

- Embosser
- User manual
- Index USB memory stick
- Power cord
- USB cord
- External power supply for Basic-D and Everest-D
- Transport locks

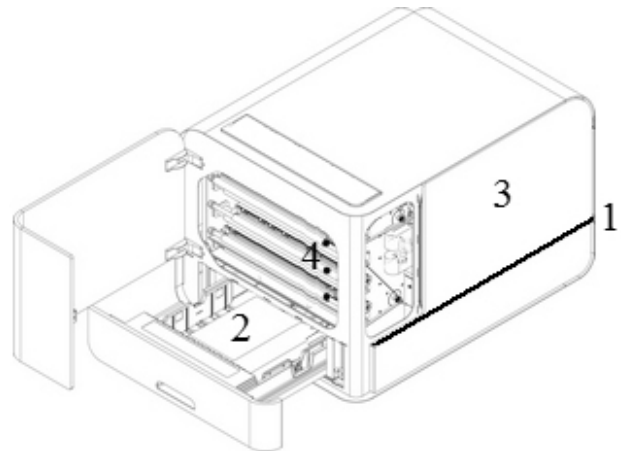
Basic-D, Everest-D and BrailleBox

- Power on the embosser without connecting the USB cord.
- The 'Wizard to remove transport locking' will start automatically.
- Follow the wizard steps. When completed, the embosser will restart and is ready

to be used.

BrailleBox pictures

1. Rubber seal
2. Accessories kit box
3. Braille tray glass
4. Print head transport locks



BrailleBox

1. Open the paper tray. Remove the accessories kit box from the paper tray. Turn on the printer.
2. The wizard will start.
3. Follow the wizard steps.

3.1.2 Speech feedback

The speech feedback uses English mode by default and may be changed to other languages in the control panel. Index embossers use Acapela synthetic speech.

In addition to English UK, the following languages are available in January 2017 firmware release:

- Arabic
- Dutch
- English Indian
- English US
- Finnish
- French
- German
- Italian
- Korean

- Mandarin
- Norwegian
- Portuguese Brazil
- Portuguese Portugal
- Russian
- Spanish Colombia
- Spanish Mexico
- Swedish
- Turkish

3.1.3 Firmware upgrade

Index embosser can be upgraded to latest firmware free of charge. It is highly recommended to upgrade the firmware when installing a new Index V5 printer. The upgrade includes bug fixes and new or improved functionality. Please find detailed information on www.indexbraille.com

Upgrade via Internet connection

When the V5 embosser is connected to a network port with connection to internet, it will check for an update automatically. When the UPDATE text lights up, a new update is available.

Start upgrade by selecting:

MENU / User service / Firmware upgrade / Firmware upgrade from internet / OK to start.

Upgrade via USB memory

- Download the latest V5 firmware on [Index Braille Support / Download V5 firmware](#). File name: **Embosser-update-2016-12-15.zip**.
- Save the V5 firmware package to a USB memory stick.
- Insert the USB memory into the V5 embosser.
- Start the upgrade by pressing:
MENU / User service / Firmware upgrade / Firmware upgrade from USB memory stick / OK to start.

The UPDATE text lights up during the upgrade process. The speech feedback is

activated. Do NOT power off the embosser during an upgrade. The upgrade process may take 5-15 minutes and is completed when the embosser restarts automatically.

3.2 Index Braille printer driver

Index software and printer drivers for Index Braille embossers may be installed from the USB memory stick, included in the shipment or by downloading them from www.indexbraille.com.

3.2.1 Install to USB port

All Index embossers require the Index Braille printer driver to function properly. **Install the Index Braille printer driver in your computer before connecting the embosser to the USB device port.**

To find the current version of the Index Braille printer driver for your embosser, access the control panel in your computer by selecting:

Control Panel / Uninstall a program / Index Braille Driver.

The current version number is shown on the right hand column, listed under versions.

Windows

To install Index printer driver 8.x or higher, suitable for Windows XP, Vista, Win 7, Win 8, Win 10, follow these steps:

1. Close all applications on your PC.
2. Download [Index Printer Driver 8.x or higher](#).
3. Right click the driver installation file and select "Run as administrator" and follow the installation wizard.
4. Connect the supplied USB cord.
5. Turn on the embosser.
6. For Windows Vista and later versions, the Plug & Play Found new hardware wizard will complete the USB installation.

Mac OS X

To install Index printer driver for Mac OS X 10.8. follow these steps:

1. Double click the printer driver file.
2. Follow the installation guide for Mac OS X application.
3. Go to System Preferences and select Print & Fax.

4. Connect the embosser to the computer via the USB device port.
5. Turn on the embosser and wait for the start-up message.
6. Press the **+** button in the dialog box.
7. Click on the embosser name.
8. Choose Select Printer Software in the list box Print Using.
9. Select your embosser model in the dialog.
10. Press OK.
11. Press Add.
12. Exit System Preferences to complete the embosser installation.
13. Connect the supplied USB cord to the USB device port.

Linux (Debian/Ubuntu)

To install Linux printer driver 1.1.0. follow these steps:

1. Download the [Linux printer driver](#).
2. Install the printer driver following the standard installation process in your Linux version.
3. Connect the supplied USB cord to the USB device port.
4. Follow the general installation process for your Linux distribution.

3.2.2 Network connection

The Wi-Fi and wired network icons (blue), light up when a wired network or Wi-Fi is connected. During network search, the network icon flickers.

Get the network IP address by pressing:

- HELP + 10 : Speech feedback IP address.
- HELP + 1 : Print in letter graphics and braille.

Once the Wi-Fi or wired network has been connected, the embosser will remember the network name (SSID) and password.

Connect Wi-Fi network

- When a known network is available, the Wi-Fi icon flickers during the network search.
Speech feedback: "Wi-Fi network connected, IP number XXX, SSID name".
- When no known network is available, the Wi-Fi icon light is off.

Speech feedback: "No known network available".

3.2.2.1 Recommended network connection setup

In Index V5 January 2017 Firmware and higher, **Wi-Fi network is enabled by default.**

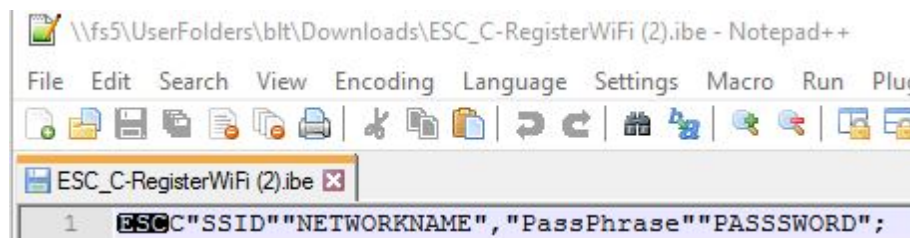
First step to connect to a wired network

Plug in the network cord to a Local Area Network (LAN) with DHCP support.

- The wired network icon flickers when establishing a network connection.
- The network icon lights up when the network is connected to the internet.
- The embosser speech feedback: "Wired network ###.###.#.##", e.g. IP address: 192.168.4.14.

Wi-Fi setup with Wi-Fi setup file

- a. Send the Wi-Fi setup file with SSID (Network name) and password to the printer.
- b. Download the esc file from Index website [here](#).
- c. Edit the file with your 'Network name' and 'Password' using Notepad++ and save it.



- d. Right click on the file, select Index-direct-Braille, your V5 embosser and press OK.
- e. The Wi-Fi icon flickers when establishing a network connection. The Wi-Fi icon lights up when the network is connected to the internet. The printer speech feedback: "Connected to Network name, IP number."
- f. The Wi-Fi connection via WiFi setup file is now established. If the setup fails, speech feedback: "No known network available".

Wi-Fi with Wireless Protected Setup (WPS)

- a. On the embosser control panel press Menu / Communication / Manage Wi-Fi network / Start Wi-Fi Protected Setup / OK.

- b. Press the WPS button on the router you want to have the V5 embosser connected to.
- c. The Wi-Fi network icon flickers when establishing a network connection.
- d. The network icon lights up when the network is connected to the internet. The printer speech feedback: "Connected to Network name, IP number"
- e. The Wi-Fi connection via Wi-Fi Protected Setup is now established. If the setup fails, speech feedback: "No known network available".

3.2.2.2 Wizard for static IP address

Connect the embosser to your network with a network cord.

Speech feedback: "Wired network is connected, IP address".

The wired network port supports Dynamic Host Configuration Protocol (DHCP) and static IP address.

Set up static IP address by pressing:

MENU / Communication / Wizard for wired network / OK.

[Detailed information in this knowledge base link.](#)

3.2.2.3 Select Wi-Fi network from control panel

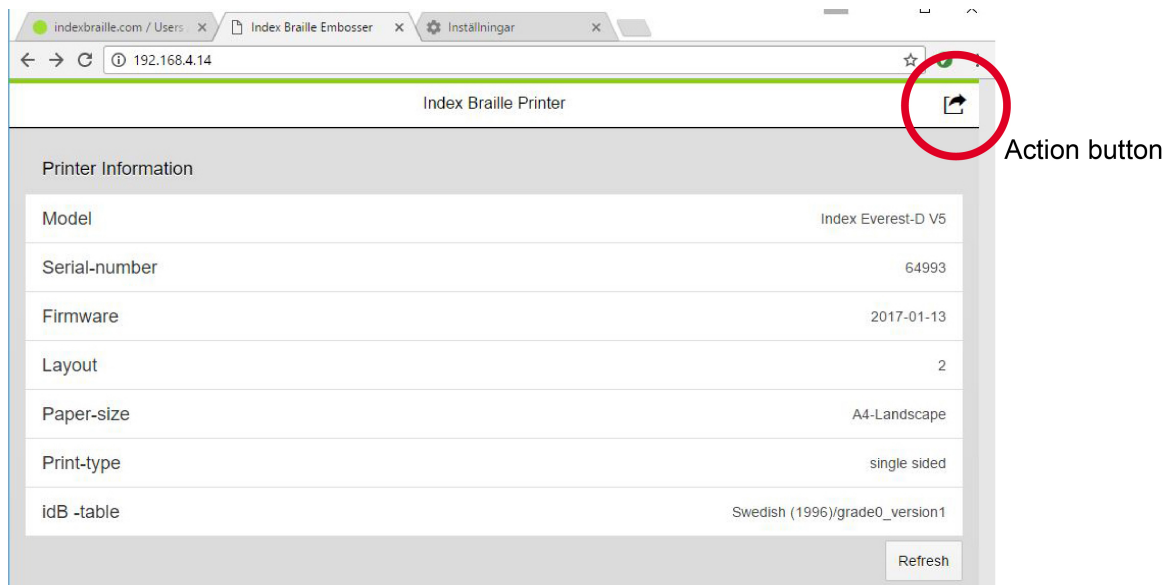
Wi-Fi protected setup

Menu / Communication / Manage Wi-Fi network / Start Wi-Fi Protected Setup

- Searching for available network.
- Press Arrow up/down to select the preferred network.
- Press OK to start WPS on the V5 printer.
- Press the WPS button on the router.
- Light and speech feedback will verify successful Wi-Fi connection.

3.2.2.4 Index Web App

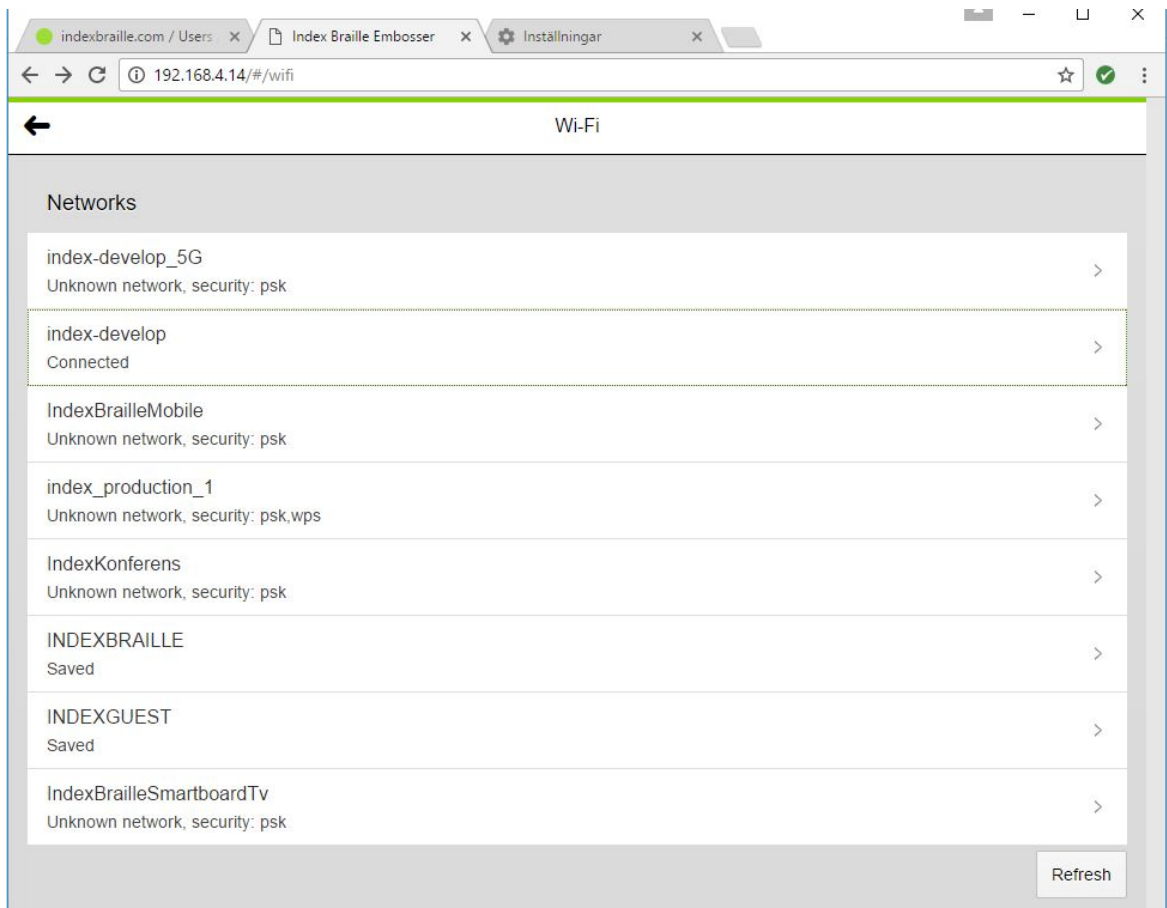
1. In order to get your embosser IP address, press HELP + 10. Speech feedback: "IP number", e.g. "IP 192.168.4.14".
2. Start the web app by opening a search window on your browser.
3. Type your embosser IP number on the browser.
4. After a few seconds the web app interface will appear on your device. Please see below picture.



Web interface

Start the web app function by pressing the action button that provides menu options below:

- Print
 - Print standard files (.doc, docx, .pdf, .txt, .rtf) for idB translation/formatting or braille-ready files (.brl, .brf).
 - Browse your file.
 - Upload the file.
- Wi-Fi
 - Available network is shown. The network on the top position is the network that has already been connected and has a strong signal.
 - Functions: Select, Connect, Forget, Insert password for new network, and Start WPS (Wi-Fi Protected Setup).
- Index Web App



Examples of available network

3.2.2.5 Reservation of IP address on DHCP

The best way to reserve a permanent IP address to a specific Index printer is via Reservation of this IP address on the router in your LAN. This is typically a task for the Network Administrator.

For detailed information, search on Google for "Reservation of IP address on DHCP + (Your router name)".

3.3 Printing braille

Index-direct-Braille (idB) is a direct printing application to emboss standard documents in braille. idB is free of charge and included in the printer driver package. The text-to-braille translation, braille page formatting and page numbering are created automatically by idB as this function is embedded in the embosser.

It is unnecessary to edit the file to print out braille. When using idB, the translation language and literary or contracted braille (Grade1 or Grade 2), formatting, page

number and other layout settings are set up following the settings in the **active layout** of the embosser.

For braille mathematics, music, tactile graphics, complex documents and proof reading functions, a separate braille editor is required.

3.3.1 Index-direct-Braille (idB)

idB supports:

- Braille in grade 0 (computer), 1 (literary), and 2 (contracted)
- Word XML (.docx) files
- Word (.doc) files
- PDF (.pdf) files
- Text (.txt) files
- Page numbering
- Volume handling (for braille books)
- Index V4 and V5 braille embossers

idB uses the Liblouis Open Source Braille translation system, which supports the majority of languages worldwide.

[Link to Liblouis web site](#)

[Link to information about Index-direct-Braille](#)

[Link to firmware upgrade instructions](#)

3.3.1.1 Printing from USB Memory

Requirements for printing from USB memory

- Index V5 embosser.
- A USB memory device with files in docx, doc, pdf, rtf or txt format connected to the embosser's USB host port interface.

Steps for printing from USB memory

- Set up the active layout, including page size, braille layout, page numbering, and braille translation language/grade (idB).
- Press the MENU key on the embosser.
- Select Print / Print from USB memory.
- Find the file by using the arrow keys. The speech feedback will guide you to navigate the USB file structure.
- Press OK to print the selected file.
- On the embosser control panel, the idB icon will flash during the translation and formatting process, normally a few seconds.
- During the braille printing process, the idB icon lights up.

3.3.2 Emboss with idB in Windows

- Save and then close the file in Word as 97-2003 .doc, .docx, .txt, and PDF format.
- Right click on the file from the list, and then select Index-direct-Braille.
- Select your embosser model and click OK.
- The file will now be transmitted to the selected Index embosser.
- The flashing idB icon indicates ongoing text-to-braille translation process.
- Embossing of the braille document will start. The light-up idB icon indicates the idB use for the document.

3.3.3 Emboss with idB in Mac

- Open the document in your preferred editor/viewer program (e.g. Preview OS X).
- Go to file. Select Print and select an installed Index embosser.
- The file will now be transmitted to the selected Index embosser.
- The flashing idB icon indicates ongoing text-to-braille translation process.
- Embossing of the braille document starts. The light-up idB icon indicates the use of idB for the document.

3.3.4 Emboss with idB in Linux

- Open the document in your preferred editor/viewer.
- Go to file. Select Print and then select an installed Index embosser. Press OK.

- The file will now be transmitted to the selected Index embosser.
- The flashing idB icon indicates ongoing text-to-braille translation process.
- Embossing of the braille document starts. The light-up idB icon indicates the use of idB for the document.

3.3.5 External braille editor

Emboss with a commercial or freeware braille editor

The majority of braille editors available are compatible with Index Braille embossers. For more information on compatible braille editors, please check below link:

<http://www.indexbraille.com/en-us/support/braille-editor-software>

4 Paper handling

All Index embossers support paper weight of 120 - 180 g/m² (grams per square meter). To inquire about the ability to emboss with heavier materials, please contact us.

4.1 Supported paper sizes

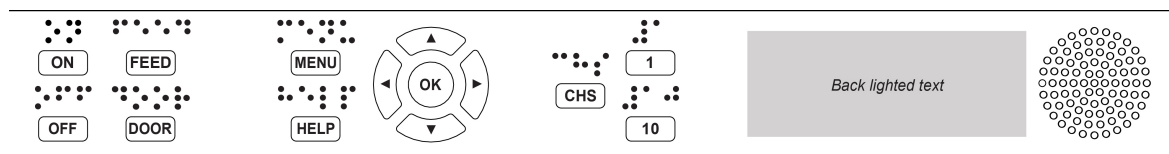
EMBOSSER MODEL	PAPER LENGTH	PAPER WIDTH	PAPER TYPE	ADDITIONAL INFORMATION
Basic-D V5	1 - 17 in, 25.4 - 431.80 mm	4 - 12.5 in, 120 - 320 mm	Tractor-feed paper.	Support user-defined paper sizes.
Everest-D V5	4.7-11.4 in, 120 - 590 mm	5.5-11.7 in, 130 - 297 mm	Cut-sheet paper.	Support user-defined paper sizes.
BrailleBox V5	11.5-17 in, 292 - 431.8 mm	11 in, 250 mm, 297 mm	Cut-sheet paper.	Support fixed paper sizes: A3, Tabloid 11x17 in, 11.5x11 in, B4.
FanFold-D V5	8-12 in, 203.2 - 304.8 mm	5-12.5 in, 127 - 317.5 mm	Tractor-feed paper.	Support user-defined paper sizes.

4.2 Paper loading

EMBOSSER MODEL	PAPER LOADING
Basic-D	<p>Paper in</p> <ul style="list-style-type: none"> ○ Open the lid. ○ Open the right and left tractors. ○ Release the lock on the right tractor and adjust the position of the right tractor according to the paper width. ○ Load paper and close the tractor lids. ○ Stretch the paper by pulling the right tractor. ○ Lock the right tractor.
	<p>Paper out</p> <ul style="list-style-type: none"> ○ Select hood with cutting mechanism. ○ Floor standing hood. ○ Paper remains in print head position.
Everest-D	<p>Paper in</p> <p>Adjust paper width</p> <ul style="list-style-type: none"> ○ Place the two transparent plastic paper guides on the top of the sheet feeder. ○ Release the lock lever on the left margin guide. ○ Open the sheet feeder by releasing the sheet feeder lock. Place the paper stack in the sheet feeder towards the right margin guide. If the paper is slightly bent, place it with the bend toward the front side of the embosser. ○ Adjust the left margin guide to the left edge of the paper stack and lock it with the locking lever. ○ Close the sheet feeder. <p>Adjust pick-up function</p> <ul style="list-style-type: none"> ○ Adjust vertical position of both left and right card/sheet selectors. ○ Start with both card/sheet selectors in the same step position. Feed a few sheets of paper. <ul style="list-style-type: none"> ▪ If a double-feed occurs, move both sheet/card selectors upward and try again. ▪ If no-feed occurs, move both sheet/card selectors downward and try again. ○ Test the sheet feeder for best function by putting a lot of paper on the first trial. Then put only a few sheets of paper on the second trial. Check the result and adjust the sheet feeder to produce the best result.

	<p>Paper out</p> <ul style="list-style-type: none"> ○ Adjust the angle of the rear bottom profile by releasing the two outer white guides and tilt the profile. Lock it in position by pressing the white outer guides into the holes in the side plates. A horizontal paper eject line is recommended when Everest is placed on a table and a 45 degree downward angle for use in Acoustic Hood Everest. ○ Adjust the two inner document guides to line up with the paper edges.
BrailleBox	<p>Paper in</p> <ul style="list-style-type: none"> ○ Move the rear paper stop lever into the correct position for the paper size. ○ Insert paper. ○ Adjust the margin guides to the paper width. The following paper sizes are supported: A3, Tabloid 11x17 inches, 11.5x11 inches and B4.

5 Control panel



5.1 Menu summary

5.1.1 V5 menu

- ON
 - Flickering ON: Ongoing startup process.
 - Light-up ON: The embosser is on.
- MENU - Open MENU function.

- Light-up MENU on display: MENU is open. Use the arrow keys to move within the MENU option and wizards.
- OK: Select or start a function.
- When a function is completed, the embosser goes into idle mode.
- After 2 minutes on MENU mode, without any keystrokes, the embosser will cancel changes automatically without saving and then go into idle mode.
- HELP: Provide speech feedback information about the current state of the embosser.
 - Light-up HELP on display: Indicate if important information is available.

5.1.2 Key functions

TYPES	KEYS	FUNCTIONS
GENERAL KEYS	ON	Power on. Online mode. Cancel MENU function without saving. After pause, continue printing.
	OFF	Pause embossing. Power off (hold OFF for 5 seconds).
	FEED	Feed paper. Eject paper.
	DOOR	Open or close braille tray. BrailleBox only.
	HELP	Speech feedback help information. To start remote support, hold HELP for 15 seconds. To start recovery mode, hold HELP during power on.
MENU KEYS	MENU	Open or close MENU mode.
	ARROW UP	Move to previous MENU item. On idle mode, move to a layout. Activate it by pressing OK.
	ARROW DOWN	Move to next MENU item. Minus 50 in user defined paper On idle mode, select one of the layout 1-9 to be active.
	ARROW LEFT	Move to a higher MENU level.

		Move to previous step in wizard. Plus 50 in user defined paper
	ARROW RIGHT	Move to lower MENU level. Move to next step in wizard.
	OK	Select, save, open, close and start. Confirm action: OK. Speech feedback: "Do you really want to delete?" Press OK once again to complete the process.
NUMBER KEYS	1	Normally " 1 " represents the value 1 . When it represents another value, it is presented by speech feedback.
	10	Normally " 10 " represent value 10 . When it represents another value, it is presented by speech feedback. Run paper arm release sequence. BrailleBox only.
	CHS	Toggle between increase and decrease. Restart the embosser. Hold CHS for 10 seconds.

DOUBLE KEYS	OFF + FEED	Stop embossing.
	FEED + FEED	Place paper in emboss position. Basic-D only.
	FEED + OFF	Reverse the paper out of the embosser. Basic-D only.
	HELP + HELP	Print help information in letter graphics and braille.
	HELP + CHS	Toggle between local and English speech feedback.
	HELP + MENU	Provide speech feedback in active braille page layout.
	HELP + ON	Print hammer test page.
	HELP + OFF	Safely remove USB memory stick.
	HELP + FEED	<i>Light-up text indicates process sensors toggle between on and off (coming soon).</i>
	HELP + 1	Print network information page.
	HELP + 10	Provide speech feedback on available embosser wired and/or Wi-Fi IP address.
	HELP + OK	Establish a local network between PC and embosser using USB connection (Firmware 2.1).
	HELP + ARROW RIGHT	Start Wireless Protected Setup (WPS push button).
	HELP + ARROW UP	Print internal parameter list.
	HELP + ARROW DOWN	Start 'Insert transport locking wizard'. Follow the wizard instructions. After completed, the embosser will restart.
HELP + CHS	Network port should be connected to internet. Beta mode enabled. To disable beta mode on your embosser, press HELP + CHS again.	

5.1.3 Multiple layouts to customize

Index V5 embossers are installed with 1-9 user-defined adjustable layouts.

Active layout

The active layout is the current one in use. All changes to the layout settings are

made in the active layout. The layout includes paper size, braille page setup, page number position, idB text-to-braille translation and grade (e.g. literary or contracted).

Select active layout

1. For shortcut, when the printer is on idle mode, press Arrow up/down to select an active layout between layout 1 and 9. Then press OK. This is the same function as in Index V4 printers.
2. Alternatively, you can select an active layout in the menu structure by pressing: MENU / Braille layout / Select active layout / Go to the layout you want to select as active and then press OK.

Default distributor layout

Set up the embosser to a specific distributor (region) layout by pressing:

MENU / Braille layout / Restore layout / Restore distributor default layout / Select distributor name.

A default distributor layout includes:

- Number of layouts.
- All information specified in each layout wizard. The most significant information consists of
 - Paper size.
 - Print type, single/double-sided page, booklet, etc.
 - Text-to-braille translation when using idB.
 - Braille page layout, lines per page, characters per line, and margins.
 - Braille page number and position.

5.1.4 Menu option V5

MAIN MENU	SUB MENU	FUNCTION	INFORMATION
Print	Print previous document	Print complete document.	Number of copies.
		Print part of document.	From page to page.
	Print from USB memory	Select a folder or document with arrow keys up/down/right (in)/left (out), and press OK to print.	Use active layout settings.

	Print demo files	Select a file and print.	The file name describes each document.
	Print braille manual	Select language from list.	Use active layout settings.
	Print test document	Print, embosser information.	
		Print, hammer test.	
		Print, braille layout.	
		Print, network information.	
		Print, production test.	Used for testing after service.
	Print service document	Print, gap between print heads and braille line alignment.	BrailleBox only.
		Print, folding line test page.	
		Print, internal parameter value list.	<i>Coming soon.</i>
Braille layout	Edit active layout 1-9	Standard wizard.	
		Advanced wizard.	
	User-defined paper	Wizard to create user defined paper (Basic-D and Everest-D only).	Arrows, 1, 10, CHS and OK
		Delete user-defined paper.	It is not possible to delete it if it is used by any of the layouts.
	Add layout	Add layout. The new layout has the same setting as the active layout.	The new layout gets the lowest available layout number.
	Delete layout	Delete layout X.	It is not possible to delete active layout.
	Backup layout	Back up current layouts to USB memory.	
		Back up current layouts to internal memory.	
	Restore layout	Restore layouts from USB memory.	
		Restore layouts from internal system memory.	
		Restore default distributor layouts.	

		Restore default factory layouts.	
	Select active layout	Select the active layout.	Layouts 1-9 may be defined.
Communication	USB	Safely remove the USB memory.	
	Manage Wi-Fi network	Start Wireless Protected Setup. (Available when Wi-Fi network is ON).	
	Wizard for wired network	DHCP/Static IP: IP address, Netmask, Gateway, Dynamic Name Server.	
	LED light	LED lights up.	<i>Coming soon.</i>
		LED lights up for 5 minutes.	<i>Coming soon.</i>
		LED lights off.	<i>Coming soon.</i>
	Speech feedback	Select volume.	Low/medium/high.
Select language.		Select from list.	

MAIN MENU	SUB MENU	FUNCTION	INFORMATION
User service	Firmware update	Firmware upgrade from internet.	
		Firmware upgrade from USB memory stick.	
	Printing speed	Adjust printing speed from the list.	
	Paper out settings	Stop printing after certain number of pages.	Basic-D and Everest-D only. <i>Coming soon.</i>
		Paper out offset. Basic-D only.	Hood with knife.
			Floor standing hood.
		Wizard to adjust cut-off position. Basic-D only.	Paper remains on print head.
	Braille adjustments	Paper calibration wizard.	Everest and BrailleBox only.
Gap between print heads wizard.		BrailleBox only.	

		Straight braille line wizard.	BrailleBox only.
		Paper jam sensor, on or off.	<i>Coming soon.</i> Basic-D only.
		Temporarily disconnect safety sensors of paper tray, braille tray, service door, braille tray open and out of paper.	<i>Coming soon.</i> BrailleBox only. Pin code protected.
		Process sensors on/off: Basic-D: Paper edge, paper move, head, and fan. Everest-D: Paper in, head, feed, and fan. BrailleBox: Paper in, paper out, paper tray, braille tray, service door, and braille stack.	<i>Coming soon.</i>
	Backup settings	Back up configuration system file to USB memory.	
		Back up to internal SD card.	
	Restore settings	Restore configuration system file from USB memory.	
		Restore settings from internal memory.	
		Restore configuration system file to factory default.	<i>Coming soon.</i>
	Insert transport locking wizard	Insert transport locking wizard. Press OK to start.	

MENU	SUB MENU	FUNCTION	INFO
Protected service (pin code protected)	Command center	Start command center.	
		Start service command center.	<i>Coming soon.</i>
	Production test wizard	Wizard for Index Braille test during production.	
	Recovery	Start recovery mode.	<i>Coming soon.</i>

	Remote support	Start remote support.	<i>Coming soon.</i>
--	----------------	-----------------------	---------------------

5.2 Wizards in 2.0

Wizards are used to guide users through setup, calibration, and adjustment etc. All wizards follow the same user interface structure.

- Start a wizard by pressing the MENU option. Press OK.
- Follow the wizard by pressing the right arrow key.
- If required to go back to the wizard, press the left arrow key. This will take you back to the previous step.
- If required to edit a value in the wizard, press:
OK to edit, Arrow up/down to select and OK again to save.
The speech feedback will provide further instructions.
- Press OK to start the automatic wizard process.
- Completed wizard is verified by the speech feedback: "Wizard completed. Press OK to save".

5.2.1 Wizards for layouts

5.2.1.1 Standard wizard

5.2.1.1.1 Edit active layout, standard wizard example

STANDARD WIZARD	GUIDELINES	ADDITIONAL INFORMATION
Paper size	1. Select paper category based on region	European, US, Russian or Japanese
	2. Select paper sizes available in the region	User defined paper size may be defined in Basic-D and Everest-D only.
Print type	Select from list.	Basic-D: Double/single, Z-

		folded double/single, and Z-folded sideways single/double-sided. Everest-D and BrailleBox : Double/single, and booklet double/single-sided.
Folding line	Select from list.	Available when booklet print type is selected.
Text-to-braille translation table	Select language, grade, and version.	Liblouis text-to-braille translation, G0=computer braille, G1=literary braille, G2=contracted braille.
Lines per page	Edit with 1/10/CHS.	
Top margin	Select from list.	Available when margin space is available.
Braille page number	Select from list with position on the page.	Available when top and/or bottom margins are available.
Characters per line	Edit with 1/10/CHS.	
Binding margin	Select from list.	Available when binding margin space is available. In booklet format the minimum binding margin is 1 character .
Wizard completed	Press OK to save.	

5.2.1.1.2 Advanced wizard

The additional items in an advanced wizard is marked with larger bold text.

ADVANCED WIZARD	GUIDELINES	ADDITIONAL INFORMATION
Paper region	Europe, United States, Russia, Japan, South East Asia, World (all paper sizes)	User-defined paper is presented in all regions.
Paper size	Select from list.	

Print type	Select from list.	Basic-D: Double/single, Z-folded double/single, and Z-folded sideways single/double-sided. Everest-D and BrailleBox: Double/single, and booklet double/single-sided.
Folding line	Select from list.	Available when booklet print type is selected.
Line spacing	Select from list.	Currently support single or double line spacing.
Braille cell size	Select from list.	Supported in Basic-D and Everest-D.
Text-to-Braille translation table	Used by idB when Word/pdf/txt document is printed. Select language, grade, and version.	G0=computer braille, G1=literary braille, G2=contracted braille.
Legacy Braille translation table	Used by braille editors and IbPrint	List of braille tables for Index V5.
Lines per page	Edit with 1/10/CHS.	
Top margin	Select from list.	Available when margin space is available.
Braille page number	Select from list with position on the page.	
Characters per line	Edit with 1/10/CHS.	
Binding margin	Select from list.	Available when binding margin space is available. In booklet format the minimum binding margin is 1 character .
Volume separation	Number of pages in each braille volume, select from list.	Divide a document into volumes. Each booklet holds maximum of 80 pages per volume.

Braille volume number	Add "V1" (Volume 1) on the left side of the braille page number.	Enabled when: <ul style="list-style-type: none">• Braille page number is ON.• Volume handling is ON.
Multiple impacts	Select 1 to 5 impacts one each braille dot	More than one impact is required when printing on labels or other thicker materials.
Wizard completed	Wizard completed. Press OK to save.	