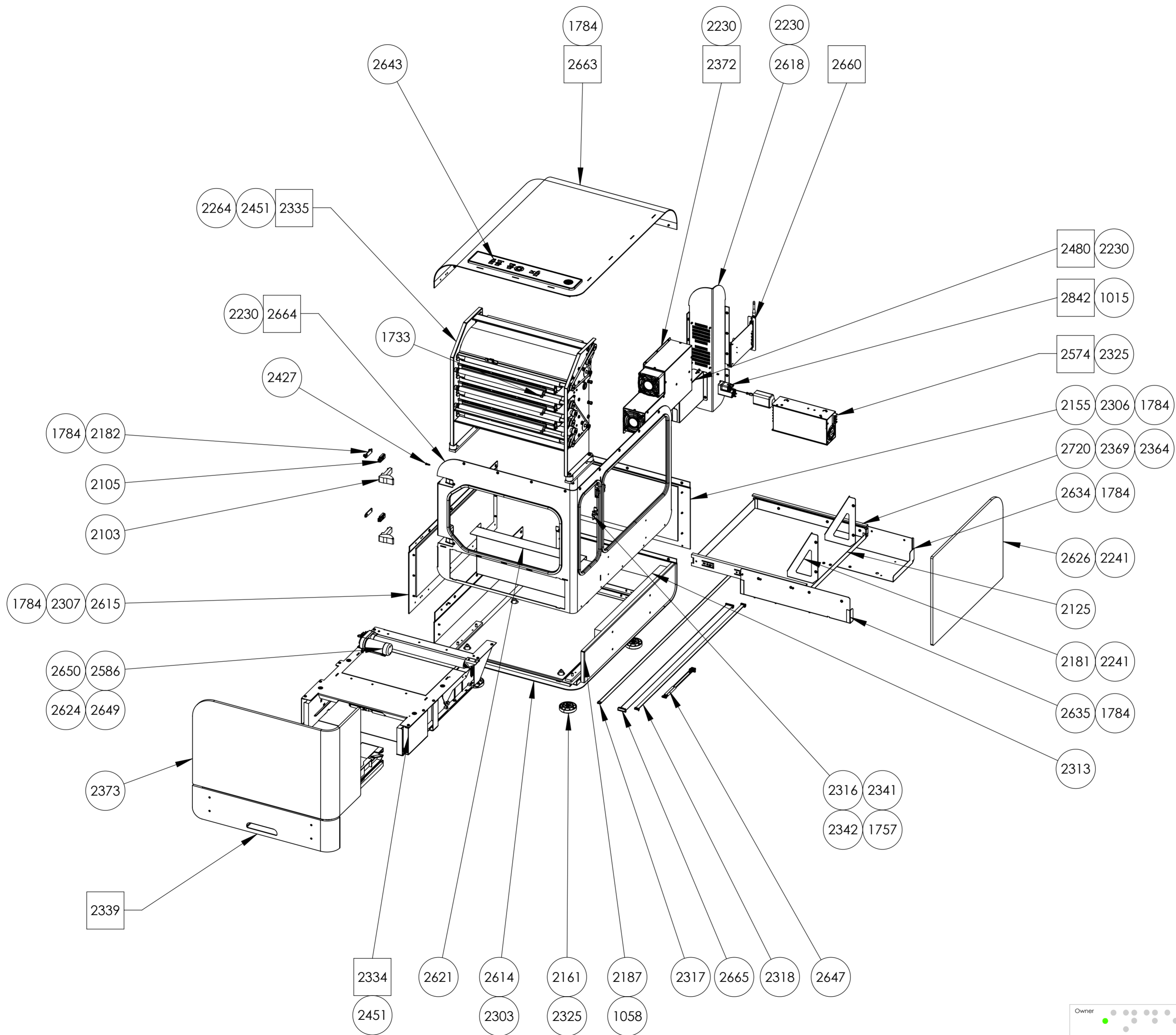
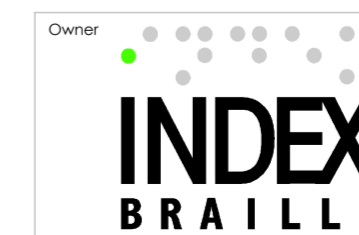


X = Spare parts on separate sheet.



2720	TeleScopic Slide	2
2665	Cable 1365-B to Control Panel	1
2664	FrontModul	1
2663	Roof Module V5	1
2660	BB CPU PCB V5 Module	1
2650	Screw MC6S 8.8 M8x40H fzb	1
2649	Låsmutter DIN985 kl6 M8 fzb	1
2647	Cable Door Sensors	1
2643	Control Panel Barille Box V5	1
2635	Bracket Paper Bin Left	1
2634	Bracket Paper Bin Right	1
2626	Side Glas Module	1
2624	Mounting Bracket	1
2621	PCB-Cover	1
2618	Rear Corner Outer Cover	1
2615	Left Side Outer Cover	1
2614	Bottom Outer Cover	1
2586	Linear Actuator	1
2574	Power Supply Module	1
2480	1365M Holder Module	1
2451	Screw MRX M6x22 fzb	8
2427	Screw PT-WN 1442 3,5x14 fzb	2
2373	Glass Front Bended Module	1
2372	Ventilation Module	1
2369	Screw MF6S 8.8 M4x8 fzb	6
2364	Screw MF6S 8.8 M4x10 fzb	8
2342	Split Pin	1
2341	Clevis Pin with head	1
2339	Paper Tray Module	1
2335	Embosser Unit Module	1
2334	Sheet Feeder	1
2325	Screw MRX M4x14 fzb	8
2318	SheetFeeder to PCB Cable	1
2317	Power Supply Control Cable	1
2316	Locking Pin	1
2313	SoundProofing Mat	1
2307	Soundproofing mat	1
2306	Soundproofing mat	1
2303	Soundproofing mat	1
2264	Lock Washer AZ6,4 fzb	4
2241	Screw MRX M5x6 fzb	8
2230	Screw MRX M4x8 sv	21
2187	Side Panel	1
2182	Hinge Holder	2
2181	Glass Bracket	2
2161	Big Foot 1002	4
2155	Plate Back Outer Cover	1
2125	Plate Paper Bin	1
2105	Mounting Plate for Hinge	2
2103	Hinge for Glas	2
1784	Screw MRX M4x8 fzb	46
1757	Knurled Nut	1
1733	Transport Locking Clip	3
1058	Låsmutter DIN985 kl6 fzb M4	4
1015	Screw MRX M3x6 fzb black	2
2842	Power Inlet Module	1
Part Number	Part Name	QTY



Owner:

Part Name: **Braille Box V5**

Part Number: **2610**

Drawn by: Mattias

Approved by: Janne

Date: 2017-06-20

Format: A3

Scale: 1:10

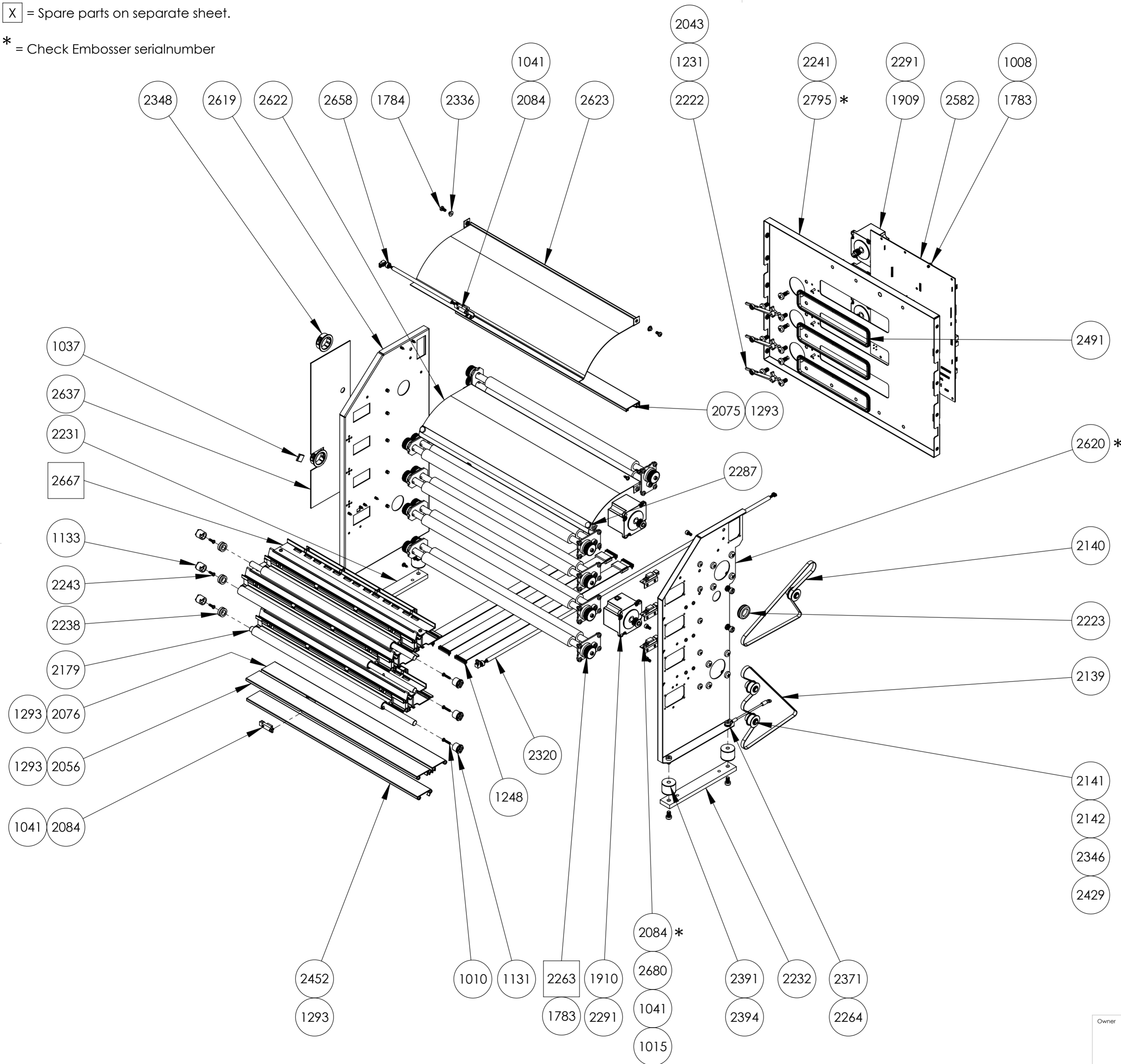
Revision: -

Sheet: 1/1

This document must not be copied without our written permission, and the contents thereof must not be imparted to a third party nor be used for any unauthorized purpose. Contravention will be prosecuted.

X = Spare parts on separate sheet.

* = Check Embosser serialnumber



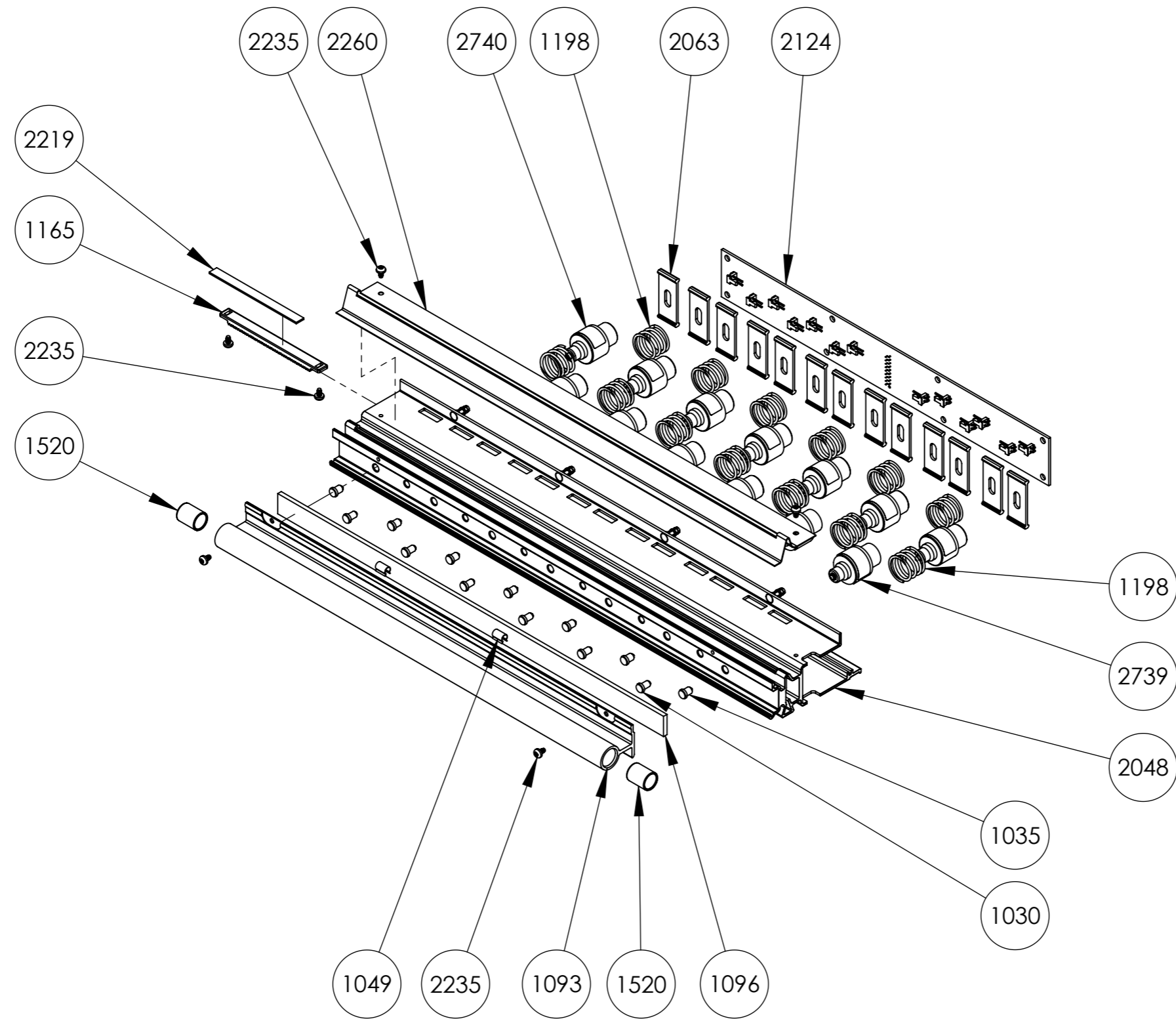
2795	Center Plate	1
2680	Embosser Head Sensor Bracket	3
2667	Embosser Head BrailleBox	3
2658	Paper Sensor Cable	1
2637	Soundproofing Mat End Plate Left	1
2623	Paper Guide Outer	1
2622	Paper Guide Inner	1
2620	End Plate Right	1
2619	End Plate Left	1
2582	Braille Box Driver PCB V5	1
2491	Edge Protection Profile AMB-1	3
2452	Profile Paper Guide	1
2429	Screw MC6S 8.8 M4x8 fzb	3
2394	Screw MLC6S 8.8 M6x10 fzb	8
2391	Vibration Damper	4
2371	Grounding Cable 105mm	1
2348	Snap In Bushing	2
2346	E-Clip RS5 fzb	3
2336	Flange Bearing	2
2320	Paper Sensor Cable	1
2291	Screw MRX M6x12 fzb	17
2287	Magnet Neodym	2
2264	Lock Washer AZ6,4 fzb	1
2263	Shaft Module	5
2243	Screw MRX M3x10 fzb	3
2241	Screw MRX M5x6 fzb	10
2238	Locking Ring	3
2232	Mounting Plate Right	1
2231	Mounting Plate Left	1
2223	Cable Grommet	1
2222	Spring Stretcher	3
2179	Axle 10x417	3
2142	Idler Pulley	3
2141	Pulley Stub Axle	3
2140	Timing Belt	1
2139	Timing Belt	1
2084	Paper Sensor	5
2076	Profile Paper Clearance Hole	1
2075	Profile Paper Guide	1
2056	Profile Paper Sensor	1
2043	Screw Pan Head PT 3x10 fzb Torx	3
1910	Stepper Motor Paper	2
1909	Stepper Motor Head	3
1784	Screw MRX M4x8 fzb	6
1783	Screw MRX M4x6 fzb	21
1293	Screw RXS 3,5x9,5-fzb	16
1248	Cable Embosser Head	3
1231	BallBearing 623-ZZ	3
1133	Holder axle attachment left	3
1131	Holder axle attachment right	3
1041	Screw RXK ST2,9x6,5-fzb	5
1037	Cable Anchor Small	1
1015	Screw MRX M3x6 fzb black	6
1010	Screw MRX M3x16 fzb	3
1008	Lock Washer AZ4,3 fzb	1
Part Number	Part Name	QTY



Part Name
Embosser Unit Module

Part Number **2335**
 Drawn by **Mattias** Approved by **Janne** Format **A2** Scale **1:1**
 Date **2017-06-12** Revision **-** Sheet **1/1**

This document must not be copied without our written permission, and the contents thereof must not be imparted to a third party nor be used for any unauthorized purpose. Contravention will be prosecuted.

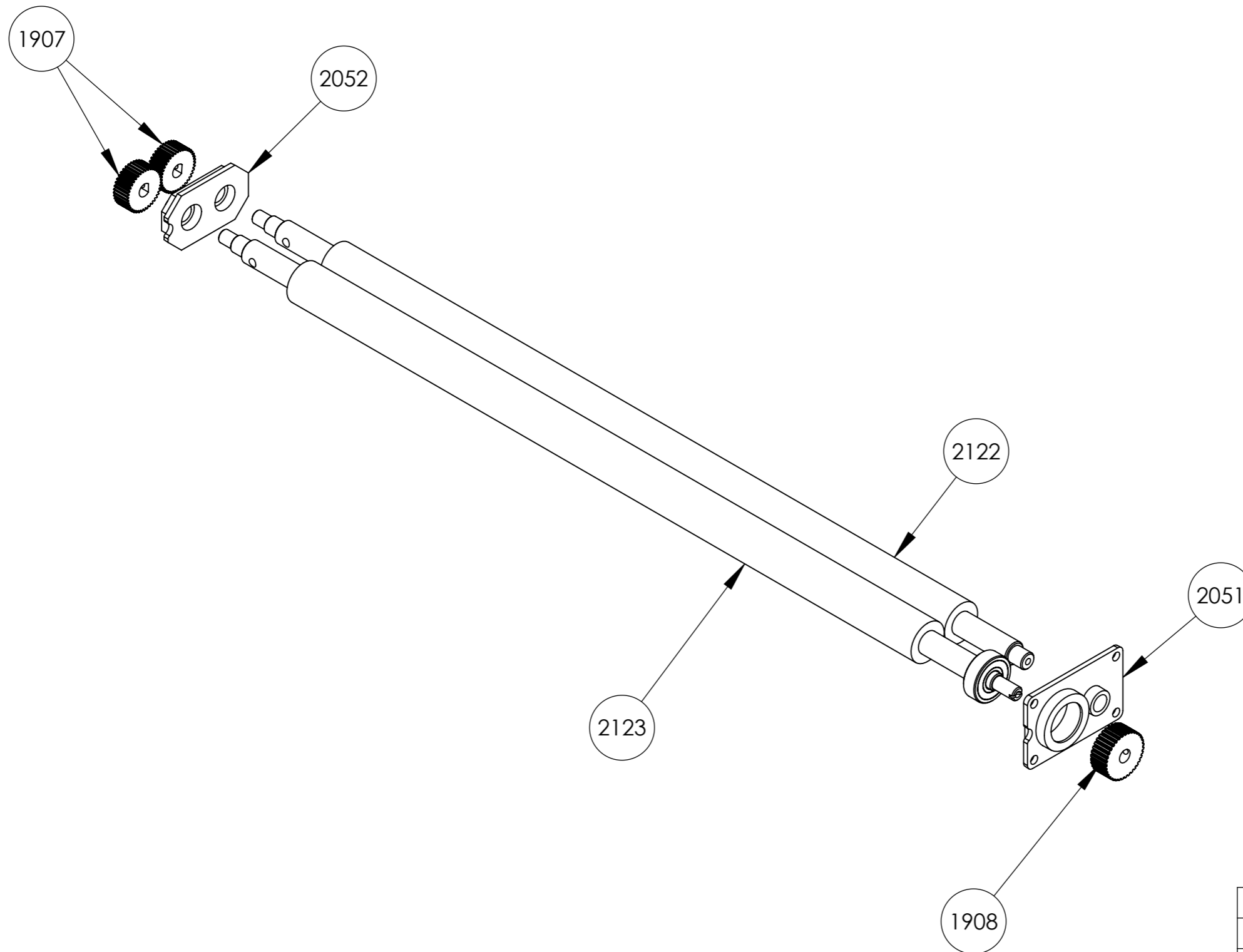


2740	Hammer Negative	7
2739	Hammer Positiv	6
2260	Paper Guide EmbosserHead	1
2235	Screw RXK ST2,9x4,5 fzb	6
2219	Embosser Head Plastic	1
2124	Bord Embossing Head PCB V4	1
2063	Profile Hammer Lid	13
2048	Profile Hammer BrailleBox	1
1520	Slide Bearing	2
1198	Spring for hammer	13
1165	Gear bar, embosser head	1
1096	Rubber damper	1
1093	Profile Bearing	1
1049	Holder clips Embosser Head	2
1035	Anvil Positive	7
1030	Anvil Negative	6
Part Number	Part Name	QTY



Owner	Part Name								
	Embosser Head BrailleBox								
Part Number	2667	Drawn by	Mattias	Approved by	Janne	Format	A3	Scale	1:1
Date	2017-05-10	Revision	-	Sheet	1/1				

This document must not be copied without our written permission, and the contents thereof must not be imparted to a third party nor be used for any unauthorized purpose. Contravention will be prosecuted.



2123	Shaft with rubber	1
2122	Shaft with rubber	1
2052	Housing bearing Right	1
2051	Housing Bearing Right	1
1908	Pulley 36 step	1
1907	Gear wheel 40 step	2
Part Number	Part Name	QTY



Owner
Part Name
Shaft Module

Part Number
2263

Drawn by
Mattias
Date
2012-08-17

Approved by
Janne

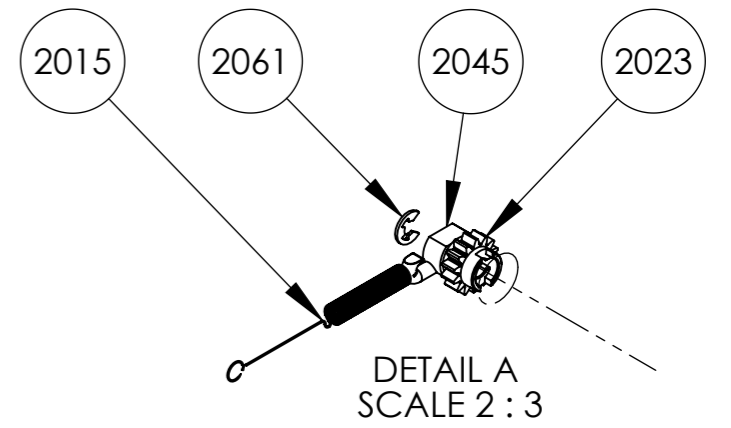
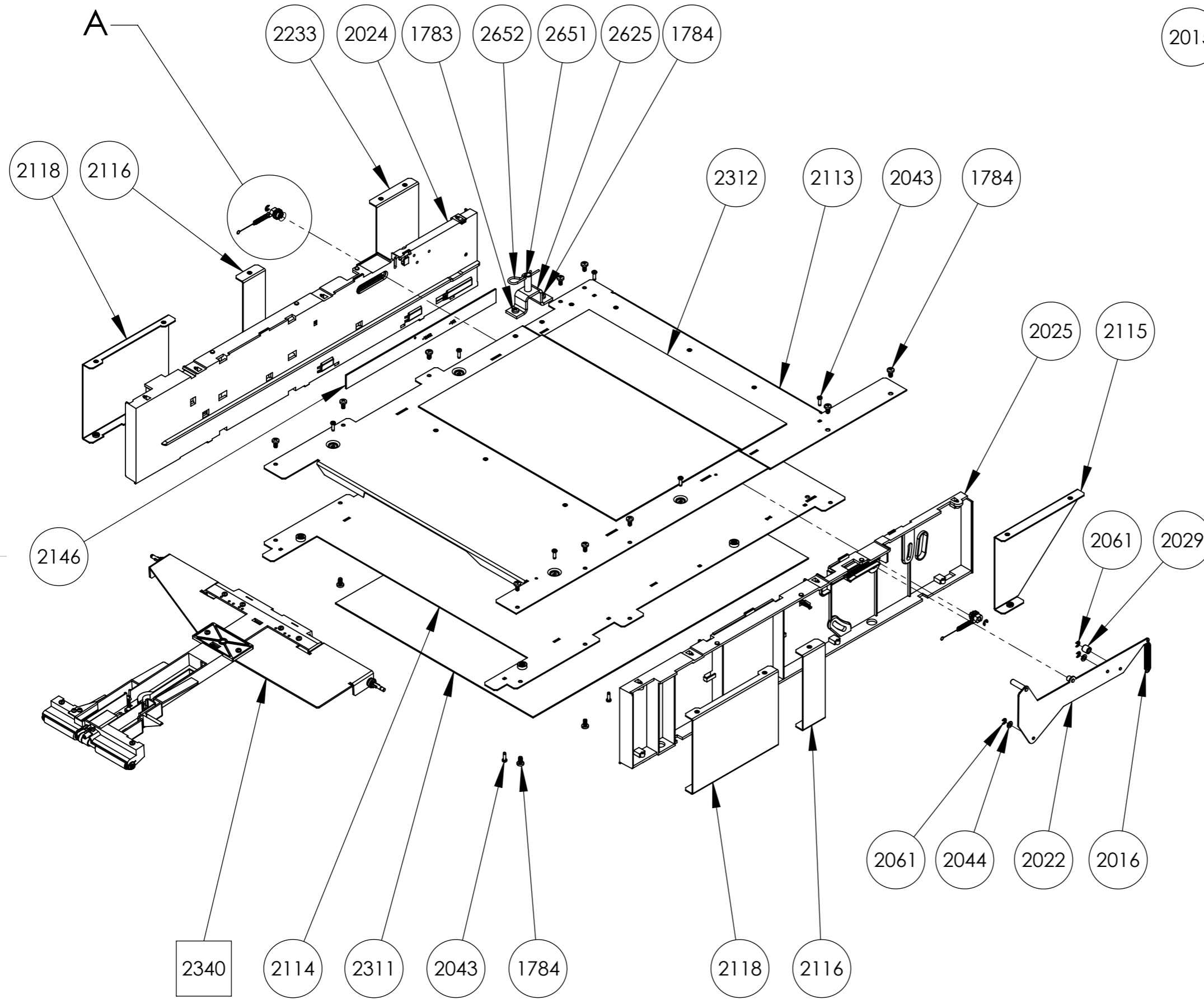


Format
A3

Revision
-

Scale
1:2

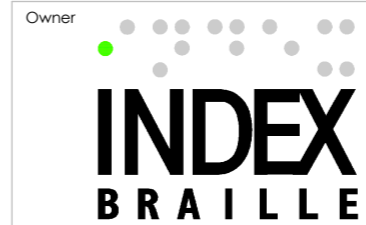
Sheet
1/1



2146	BB Sheet Feeder PCB V4	1
2044	Washer BRB 8x4,3x0,8 -fzb	2
1784	Screw MRX M4x8 fzb	20
2652	Spring Cutter Pin	1
2651	Clevis Pin with head	1
2625	Mounting Bracket	1
2340	Separation Arm Module	1
2312	SoundProofing Mat	1
2311	SoundProofing Mat	1
2233	Plate Sheet Feeder Bracket	1
2118	Plate Embosser Unit Holder	2
2116	Plate Sheet Feeder Bracket	2
2115	Plate Sheet Feeder Back	1
2114	Plate Sheet Feeder Bottom	1
2113	Plate Sheet Feeder Top	1
2061	E-Clip RS 3,2 fzb	5
2045	Fastening Spring	2
2043	Screw Pan Head PT 3x10 fzb Torx	14
2029	Hub	1
2025	Side-Frame, right 2	1
2024	Side-Frame, left 2	1
2023	Gear Wheel	2
2022	Lever cpl.	1
2016	Spring	1
2015	Spring	2
1783	Screw MRX M4x6 fzb	1
Part Number	Part Name	QTY

This document must not be copied without our written permission, and the contents thereof must not be imparted to a third party nor be used for any unauthorized purpose. Contravention will be prosecuted.

X = Spare parts on separate sheet.



Owner:

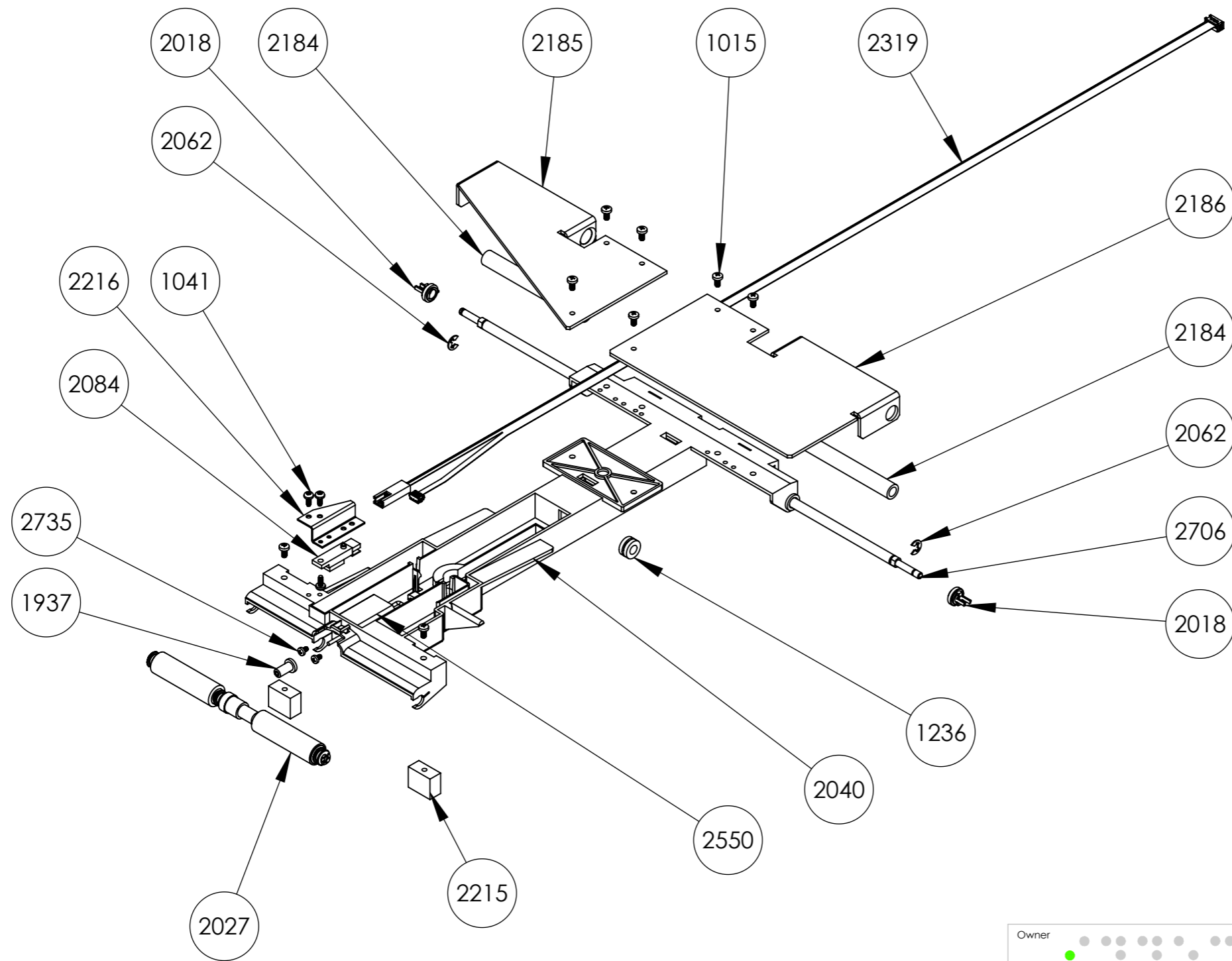
Part Name: **Sheet Feeder**

Part Number: **2334**

Drawn by: **Mattias** Approved by: **Janne** Format: **A3** Scale: **1:10**

Date: **2017-03-02** Revision: **-** Sheet: **1/1**

This document must not be copied without our written permission, and the contents thereof must not be imparted to a third party nor be used for any unauthorized purpose. Contravention will be prosecuted.

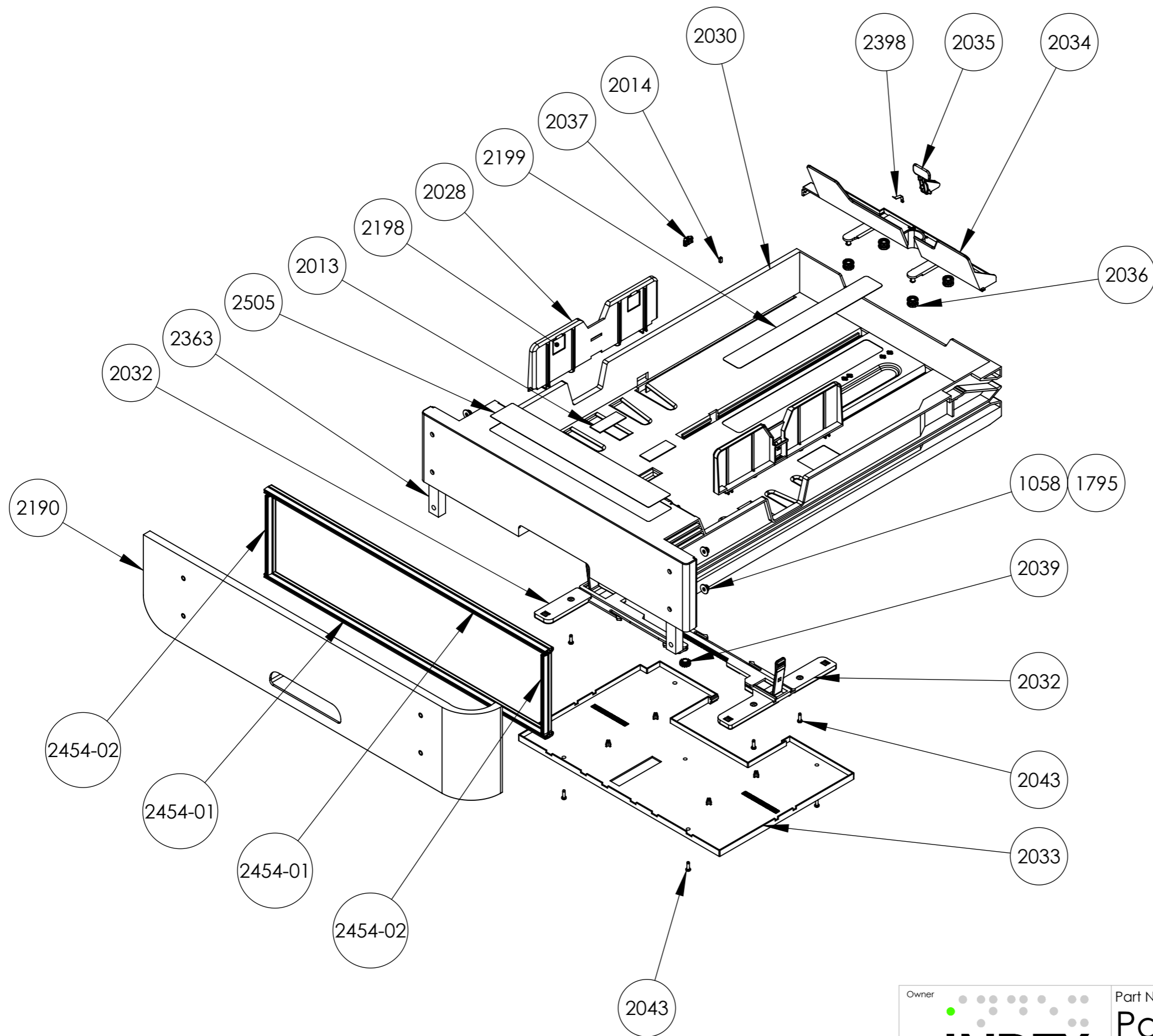


2735	Screw MRX M2,5x4 fzb	2
2706	Shaft, Salmon Steel	1
2550	DC-Motor Sheet Feeder	1
2319	Sheet Feeder Arm Cable	1
2216	Bracket Paper Sensor	1
2215	Weight	2
2186	Bracket Right Separation Arm	1
2185	Bracket Left Separation Arm	1
2184	Spacer Separation Arm	2
2084	Paper Sensor	1
2062	E-Clip RS 4 fzb	2
2040	Separation Arm	1
2027	Separation Shaft cpl	1
2018	Roller	2
1937	Sheet Feeder Gear Worm	1
1236	Rubber damper	1
1041	Screw RXK ST2,9x6,5-fzb	3
1015	Screw MRX M3x6 fzb black	8
Part Number	Part Name	QTY



Owner		Part Name	
		Separation Arm Module	
		Part Number	2340
Drawn by	Approved by	Format	Scale
Mattias	Janne	A3	1:1
Date	Revision	Sheet	
2017-03-02	-	1/1	

This document must not be copied without our written permission, and the contents thereof must not be imparted to a third party nor be used for any unauthorized purpose. Contravention will be prosecuted.



2454-02	Clip-On Sealing L=114mm	2
2505	Label Info New	1
2454-01	Clip-On Sealing L=475mm	2
2398	Rear Stop Lever Spring	1
2363	Spacer Paper Tray	2
2199	Lable Format Lenght	1
2198	Label Level Indicator	4
2190	Paper Tray Front	1
2043	Screw Pan Head PT 3x10 fzb Torx	9
2039	Gear Wheel	1
2038	Paper Guide	6
2037	Magnet Holder	1
2036	Guideroller	4
2035	Rear Stop Lever	1
2034	Rear stop	1
2033	Cover Plate	1
2032	Sideguide Bottom	2
2030	Paper Tray	1
2028	Sideguide Top	2
2014	Magnet Neodym	1
2013	Sheet Feeder Cork Pad	2
1795	Washer DIN9021 4,3x12x1 fzb	4
1058	Låsmutter DIN985 kl6 fzb M4	4
Part Number	Part Name	QTY



Owner: Part Name: **Paper Tray Module**

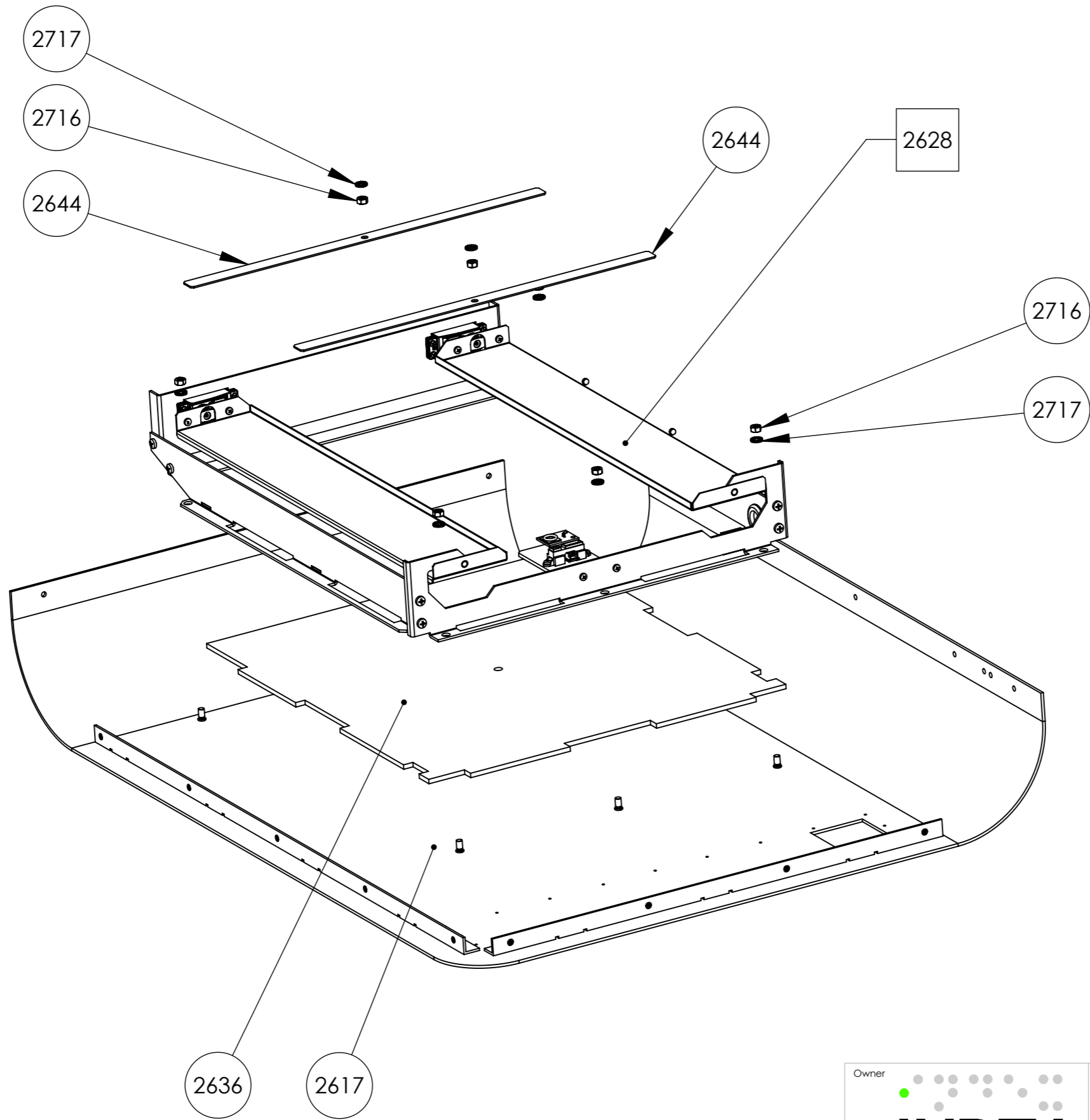
Part Number: **2339**

Drawn by: **Mattias**
 Date: **2017-02-28**

Approved by: **Janne**

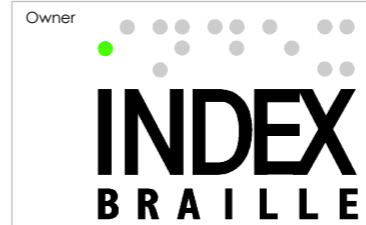
Format: **A3** Scale: **1:5**
 Revision: **-** Sheet: **1/1**

X = Spare parts on separate sheet.



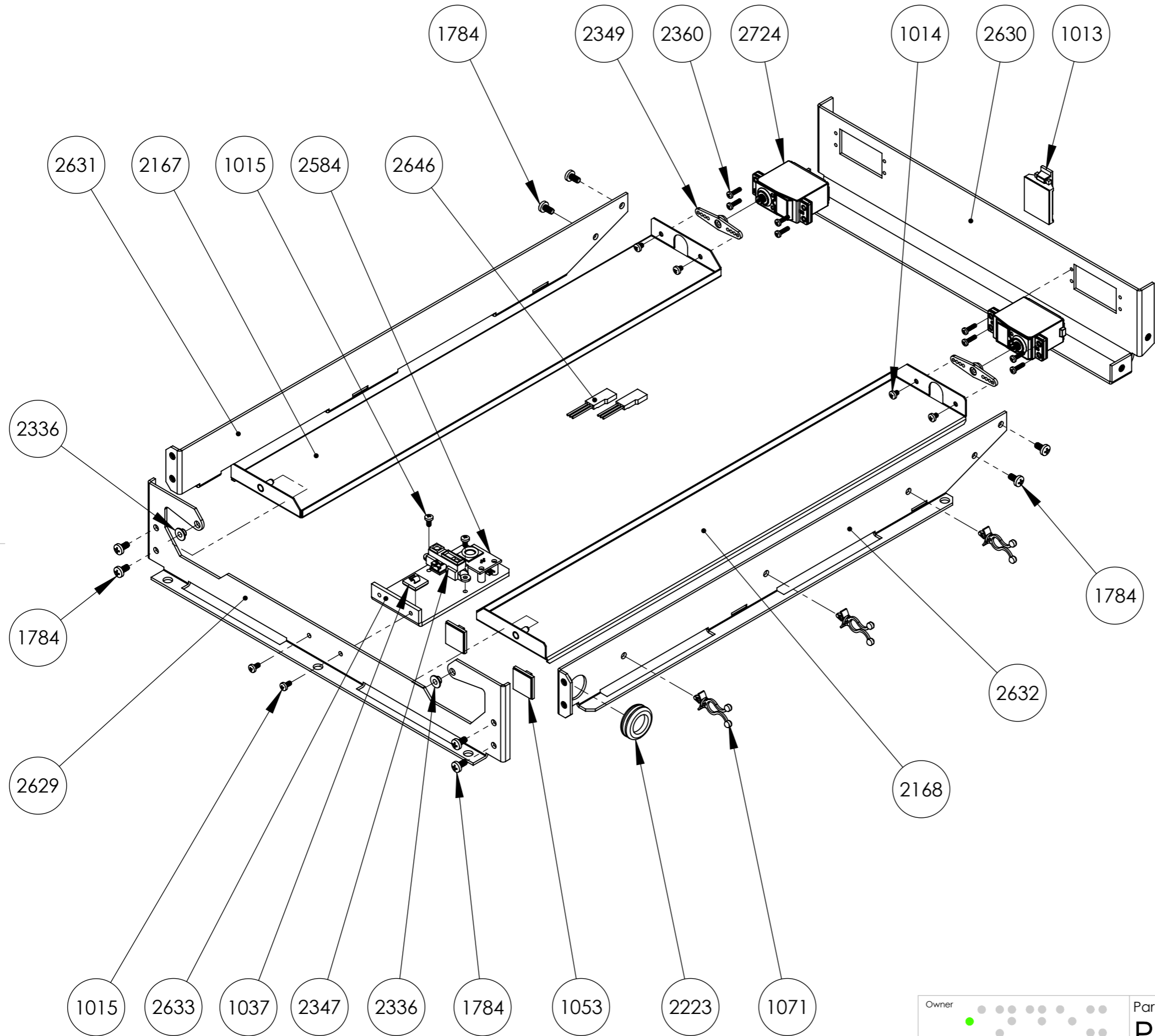
2716	Nut M6M M5 fzb	7
2717	Lock Washer AZ5,3 fzb	7
2636	Soundproofing mat Roof Module	1
2644	Lockplate	2
2628	Paper Handling Module	1
2617	Roof Outer Cover	1
Part Number	Part Name	QTY

This document must not be copied without our written permission, and the contents thereof must not be imparted to a third party nor be used for any unauthorized purpose. Contravention will be prosecuted.



Owner	Part Name			
	Roof Module V5			
Part Number	Drawn by	Approved by	Format	Scale
2663	Mattias	Janne	A3	1:1
Date	Revision		Sheet	
2017-02-15	-		1/1	

This document must not be copied without our written permission, and the contents thereof must not be imparted to a third party nor be used for any unauthorized purpose. Contravention will be prosecuted.

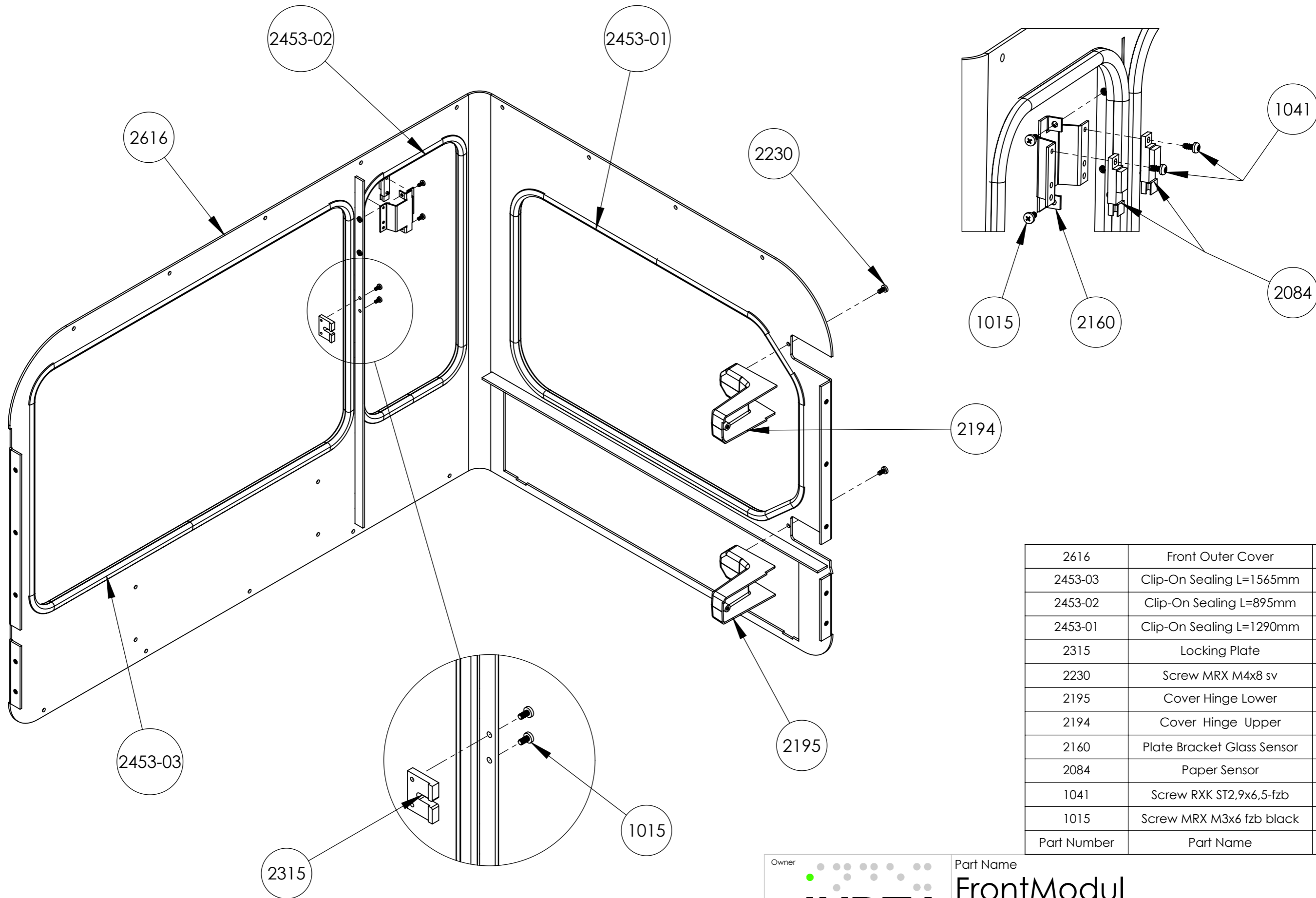


2724	Servo Futaba S3003	2
2646	Roof Cable Harness	1
2633	Bracket Paper Sensor	1
2632	Left Bracket	1
2631	Right Bracket	1
2630	Rear Bracket	1
2629	Front Bracket	1
2584	Braille Box Lamp PCB V5	1
2360	Screw MRX M2,5x10 fzb	8
2349	Servo Arm	2
2347	Sensor	1
2336	Flange Bearing	2
2223	Cable Grommet	1
2168	Papper Guide Left	1
2167	Papper Guide Right	1
1784	Screw MRX M4x8 fzb	8
1071	Twist lock	3
1053	Cable Anchor Big	2
1037	Cable Anchor Small	1
1015	Screw MRX M3x6 fzb black	4
1014	Screw MRX M3x4 fzb black	4
1013	Holder Cable	1
Part Number	Part Name	QTY



Owner	Part Name			
	Paper Handling Module			
	Part Number	Drawn by	Approved by	Format
	2628	Mattias	Janne	A3
		Date	Revision	Scale
		2017-02-15	-	1:1
			Sheet	
			1/1	

This document must not be copied without our written permission, and the contents thereof must not be imparted to a third party nor be used for any unauthorized purpose. Contravention will be prosecuted.



2616	Front Outer Cover	1
2453-03	Clip-On Sealing L=1565mm	1
2453-02	Clip-On Sealing L=895mm	1
2453-01	Clip-On Sealing L=1290mm	1
2315	Locking Plate	1
2230	Screw MRX M4x8 sv	2
2195	Cover Hinge Lower	1
2194	Cover Hinge Upper	1
2160	Plate Bracket Glass Sensor	1
2084	Paper Sensor	2
1041	Screw RXK ST2,9x6,5-fzb	2
1015	Screw MRX M3x6 fzb black	4
Part Number	Part Name	QTY



Owner
 Part Name
FrontModul

Part Number
2664

Drawn by
Mattias
 Date
 2017-02-28

Approved by
Janne

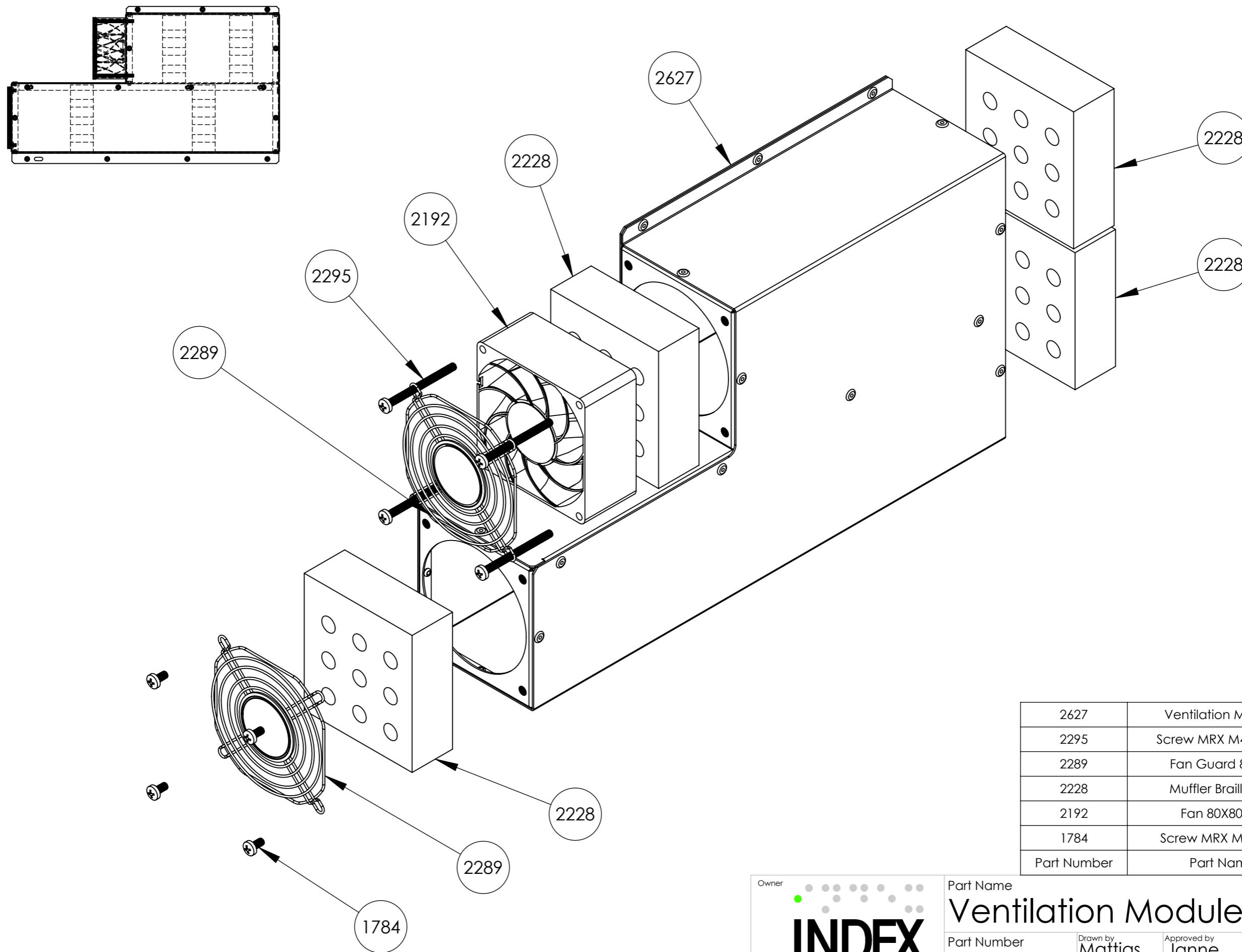
Format
A3

Scale
1:1

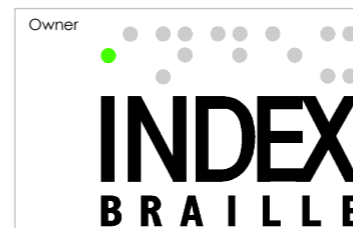
Revision
 -

Sheet
1/1

This document must not be copied without our written permission, and the contents thereof must not be imparted to a third party nor be used for any unauthorized purpose. Contravention will be prosecuted.



2627	Ventilation Module	1
2295	Screw MRX M4x50 fzb	4
2289	Fan Guard 80X80	2
2228	Muffler Braille Box	4
2192	Fan 80X80X38	1
1784	Screw MRX M4x8 fzb	4
Part Number	Part Name	QTY



Owner
Part Name
Ventilation Module

Part Number
2372

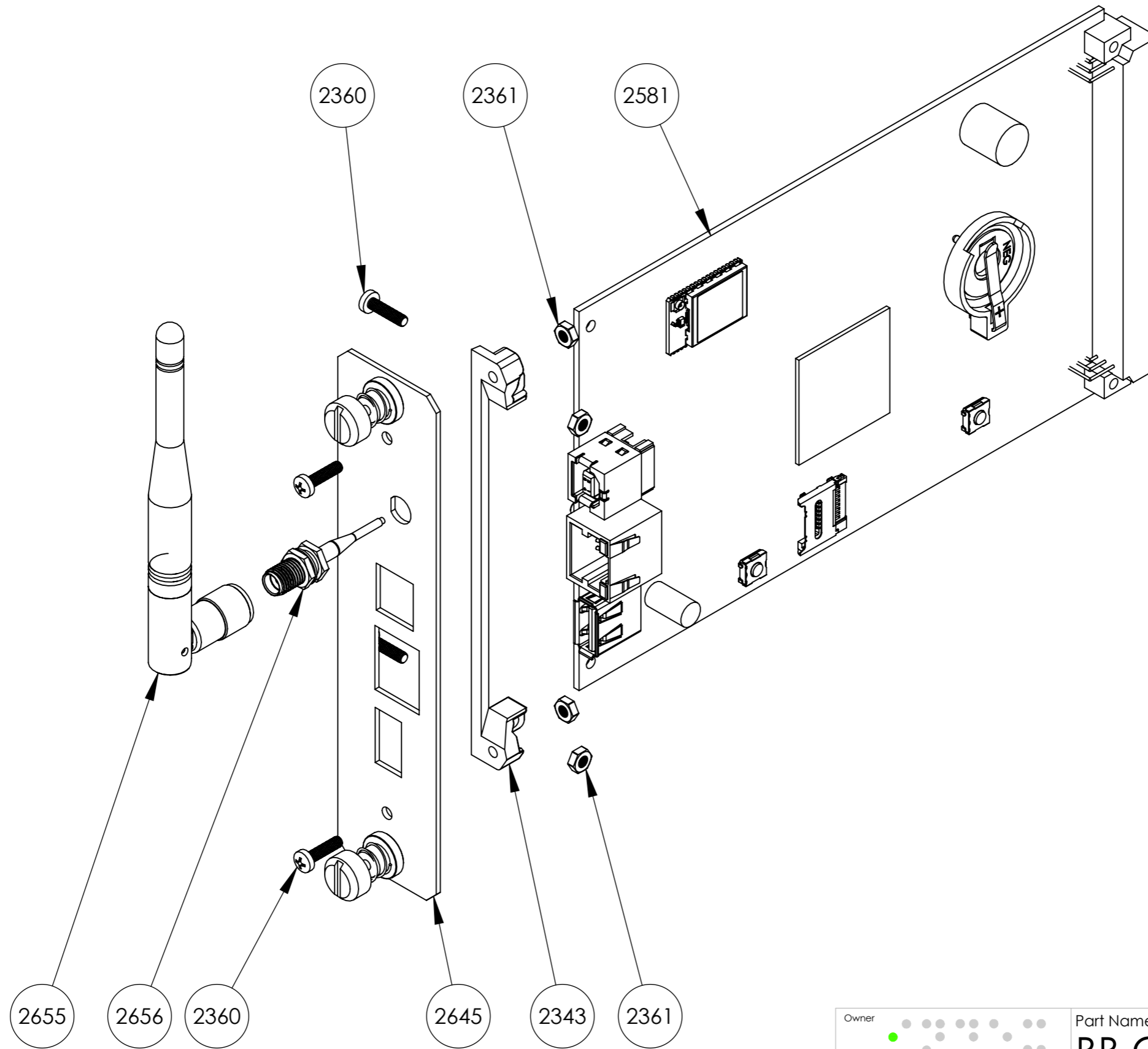
Drawn by
Mattias
Date
2017-02-21

Approved by
Janne

Format
A3
Scale
1:1

Revision
-
Sheet
1/1

This document must not be copied without our written permission, and the contents thereof must not be imparted to a third party nor be used for any unauthorized purpose. Contravention will be prosecuted.



2656	WiFi Antenna Cable	1
2655	WiFi Antenna	1
2645	Interface Plate	1
2581	BB CPU PCB V5	1
2361	Nut M6M M2,5 fzb	4
2360	Screw MRX M2,5x10 fzb	4
2343	PCB Bracket	1
Part Number	Part Name	QTY



Owner
Part Name
BB CPU PCB V5 Module

Part Number
2660

Drawn by
Mattias
Date
2017-03-15

Approved by
Janne

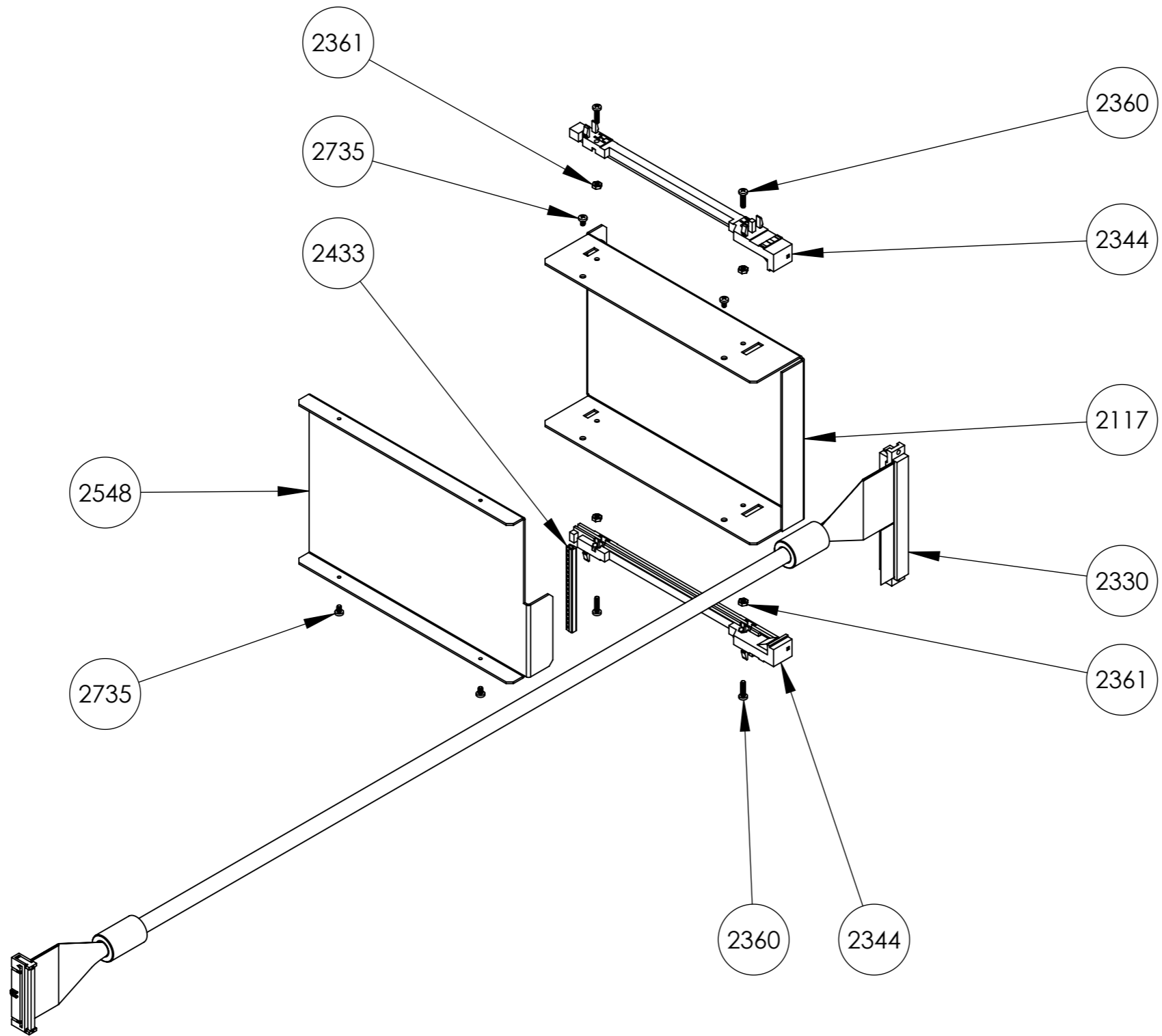


Format
A3

Scale
1:1

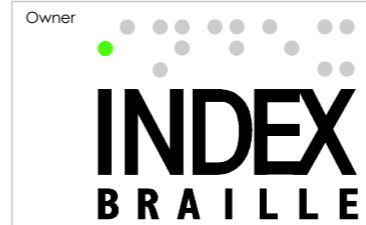
Revision
-

Sheet
1/1



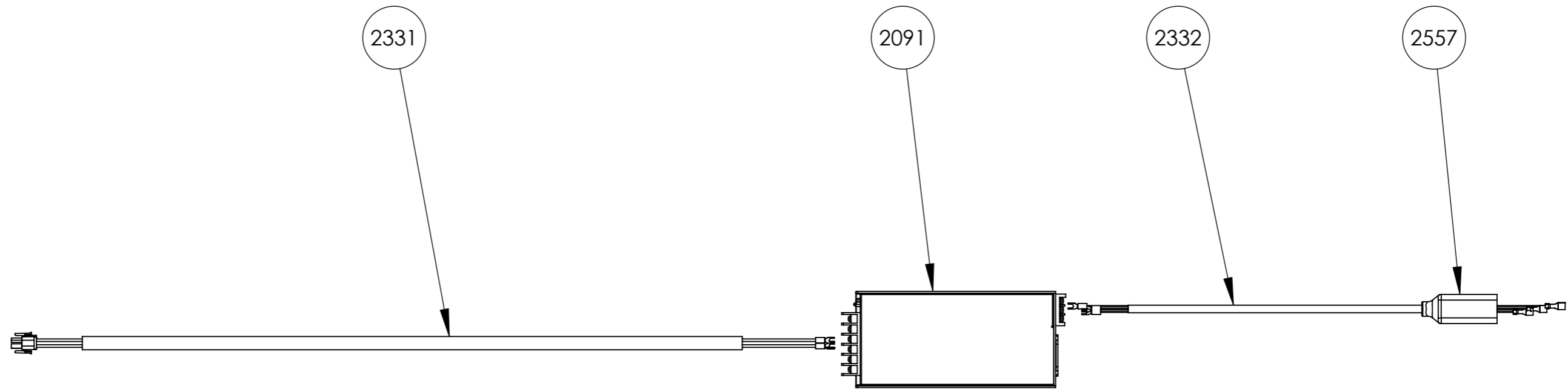
2735	Screw MRX M2,5x4 fzb	4
2548	Plate CPU Cover	1
2433	Edge Protection Profile AMB-1	1
2361	Nut M6M M2,5 fzb	4
2360	Screw MRX M2,5x10 fzb	4
2344	Guide Rail 160mm	1
2330	InterConnection 1362A to 1362B	1
2117	Plate PCB-Board Holder	1
Part Number	Part Name	QTY

This document must not be copied without our written permission, and the contents thereof must not be imparted to a third party nor be used for any unauthorized purpose. Contravention will be prosecuted.



Owner		Part Name	
		1365M Holder Module	
		Part Number	2480
Drawn by	Approved by	Format	Scale
Mattias	Janne	A3	1:1
Date		Revision	Sheet
2017-03-07		-	1/1

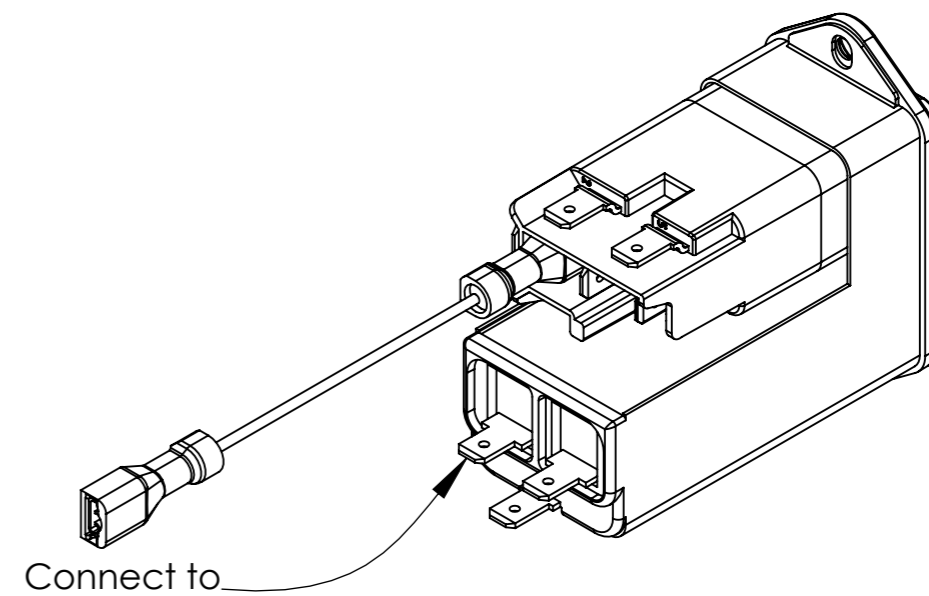
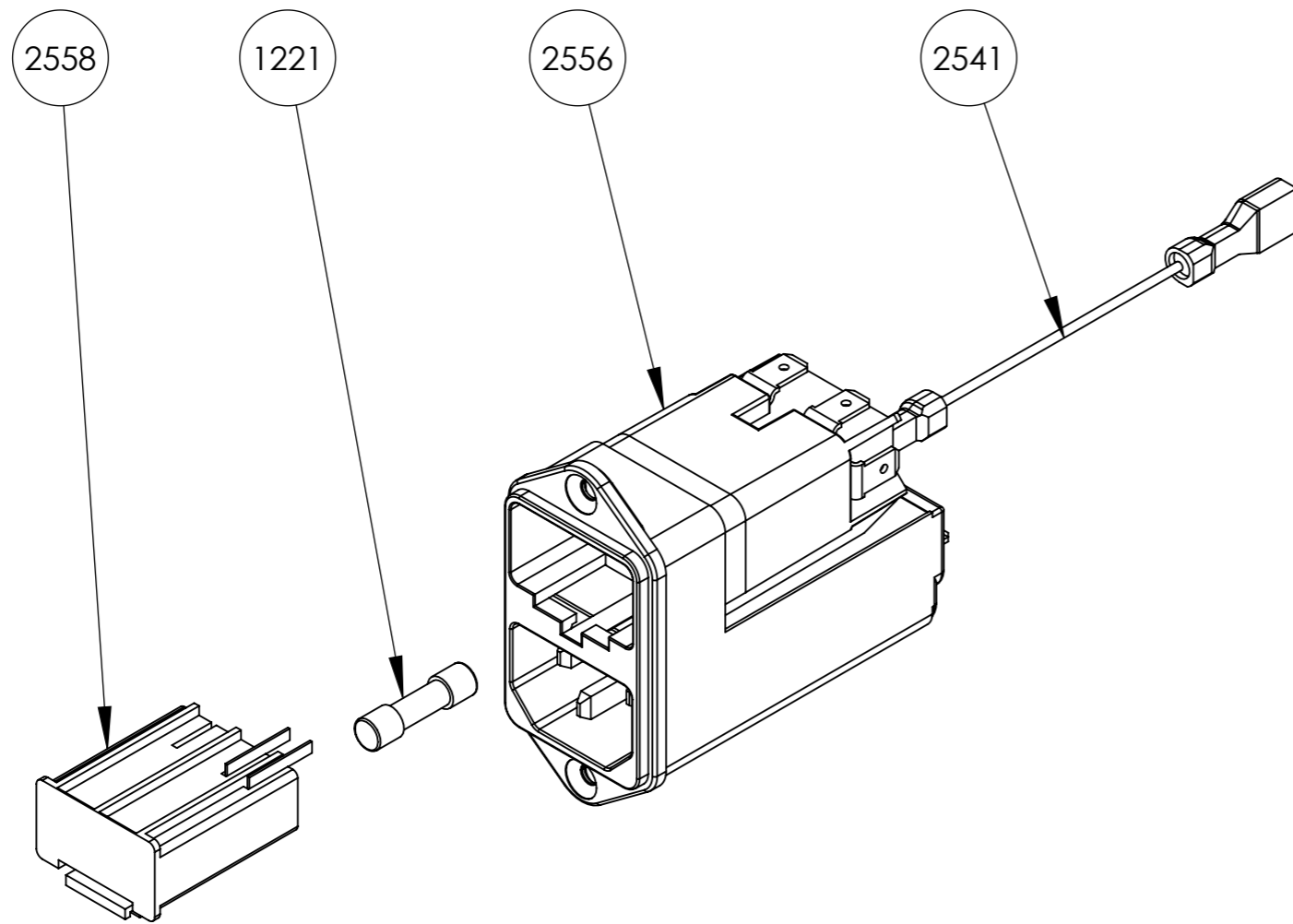
This document must not be copied without our written permission, and the contents thereof must not be imparted to a third party nor be used for any unauthorized purpose. Contravention will be prosecuted.



2557	Power Input Insulation	1
2332	Cable Inlet to Power Supply	1
2331	Cable Power Supply to 1362-B	1
2091	Power Supply	1
Part Number	Part Name	QTY

	Part Name		Power Supply Module		
	Part Number	2574	Drawn by	Mattias	
		Approved by	Janne	Format	A3
		Date	2017-05-31	Scale	1:1
				Revision	-
				Sheet	1/1

This document must not be copied without our written permission, and the contents thereof must not be imparted to a third party nor be used for any unauthorized purpose. Contravention will be prosecuted.



2558	Fusedrawer	1
2556	Appliance Inlet With Filter	1
2541	Jumper Wire to 2332	1
1221	Fuse 5x20 6,3A	1
Part Number	Part Name	QTY



Part Name
Power Inlet Module

Part Number
2842

Drawn by
Mattias
 Date
 2017-06-20

Approved by
Janne

Format
A3
 Scale
1:1

Revision
 -
 Sheet
1/1