

Table of contents

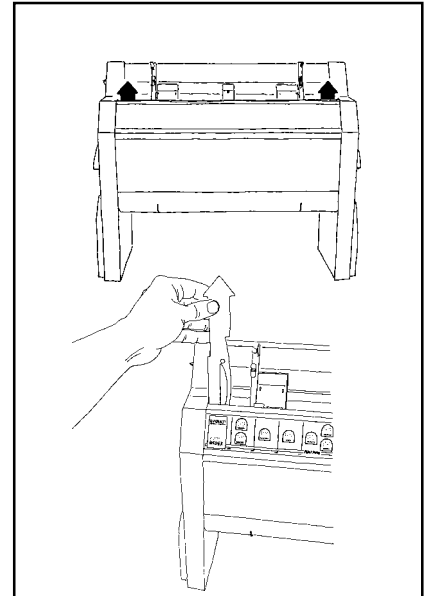
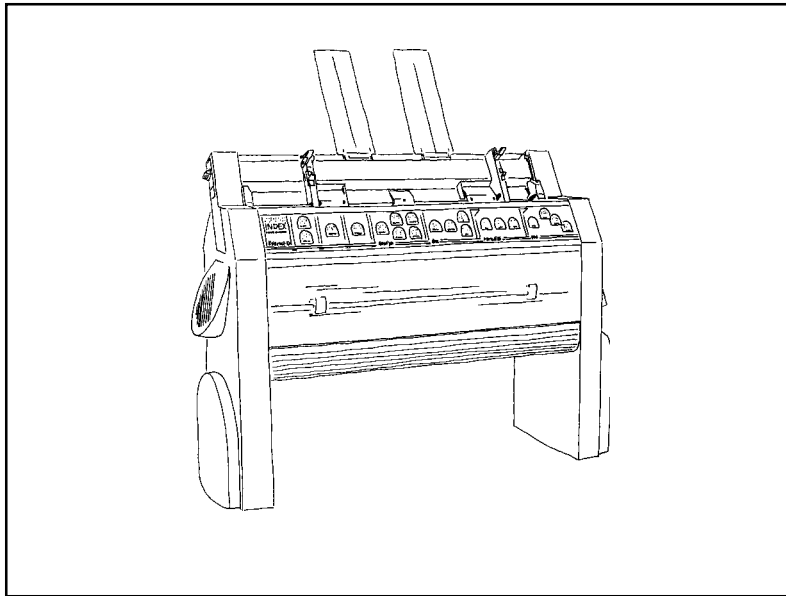
1.	Unpacking	3	6.	Setup commands	15
1.1	Unpacking instructions	3	6.1	Default setup = A/B/C	15
1.2	Unpacking checklist	4	6.2	Setup	15
1.3	Safety instructions	4	6.2.1	Change Setup	15
2.	Before start printing	5	6.2.2	Setup keys	15
2.1	How to use this manual	5	6.2.2.1	Group	15
3	Operating the printer	5	6.2.2.2	Item	15
3.1	How to start up	5	6.2.2.3	Value	15
3.1.1	Loading paper	5	6.2.2.3.1	Page layout information	15
3.1.2	Document guide position	6	6.3	Change Setup	16
3.1.3	Paper support position	6	6.3.1	Braille code	16
3.1.4.	Paper length setting	6	6.3.2	Serial communication	16
3.1.5	Paper sensor calibration	6	6.3.3	Page layout	16
3.1.6	Computer connection	6	6.3.3.1	Characters per line	17
3.1.7	Serial communication cable	6	6.3.3.2	Left margin	17
3.1.8	Communication parameters	6	6.3.3.3	Binding margin	17
3.2	Front panel	7	6.3.3.4	Top margin	17
3.2.1	Start embossing	7	6.3.3.5	Bottom margin	17
3.3	Default setup	7	6.3.3.6	Line distance	17
3.4	Setup	7	6.3.3.7	Page mode	17
3.4.1	Number of printed pages	7	6.3.3.8	Print mode	17
3.5	Flow schematic for Setup	8	6.3.3.9	Page number	17
4	The sheet feeder	9	6.3.3.10	Page layout Guideline	18
4.1	General function	9	6.3.4	Options	18
4.2	Paper quality	9	6.3.4.1	Word wrap	19
4.3	Loading the sheet feeder	10	6.3.4.2	Auto line-feed	19
4.3.1	Random double-feed	11	6.3.4.3	Form Feed	19
4.3.2	No paper feed.	11	6.4.4	Volume	19
5.	Front panel	12	6.3.4.5	Impact level	19
5.1	Standard commands	12	6.3.4.6	Delay time	19
5.1.1	On/off line	12	6.3.4.7	Print quality	19
5.1.2	Form Feed	12	6.3.4.8	Graphic dot distance	19
5.1.3	Help	12	6.3.4.9	Text dot distance	19
5.2	Print mode	13	6.3.4.10	Set up	19
5.2.1	Double sided	13			
5.2.2	Single sided	13			
5.2.3	Normal	13			
5.2.4	Reformatted	13			
5.2.5	Split page	14			
5.3	Copy	14			
5.3.1	Multiple	14			
5.3.2	Repeat	14			
5.3.3	Load buffer	14			

7	Support CD	20	8	Control sequences	26
7.1	CD contents	20	8.1	Pro-printer emulation	26
7.2	Start the CD	20	8.2	Defined codes	27
7.3	WinBraille system	20	8.3	ESC Sequences - Index commands.	27
7.3.1	Install WinBraille	21	8.4	VersaPoint graphic	27
7.3.2	Install printer driver for WinBraille	21	8.5	Multiple copies selection by ESC sequences	27
7.4	Embosser software installation.	22	8.6	Changes in setup from computer	28
7.4.1	Firmware upgrade	22	8.6.1	Change setup by ESC-sequences	28
7.4.2	Select language	22	8.7	Page numbering selection by ESC sequences	31
7.4.3	Set embosser in upgrade mode	23	8.8	Remaining copies to print	31
7.4.4	Firmware transfer	23	8.9	Transparent mode	31
7.4.5	Software Installation from CD.	24	8.10	Power on commands	32
7.4.6	Support Software for Everest	24	8.10.1	Self test	32
7.4.7	Paper sensor calibration	24	8.10.2	Factory setting	32
7.5	WinBraille	25	8.10.3	Transport mode	32
7.5.1	Start WinBraille	25	8.10.4	Upgrade mode	32
7.5.2	Register WinBraille	25	8.11	Fault messages	33
7.5.3	Upgrade WinBraille	25	8.11.1	Failure "No reference-pulse"	33
			8.11.2	Failure Paper length fault	33
			8.11.3	Failure Paper jam	33
			8.11.4	Failure 140 - invalid setup command	33
			8.11.5	Failure invalid setup value	33
			8.11.6	Failure 160 - EEPROM failure	33
			8.11.7	Failure 170 - Printer buffer exceeded	33
			9	Serial communication cables	33
			9.1	Serial cable Everest-IBM	33
			10.	ASCII-table	34
				Index	35

INDEX EVEREST

Interpoint Braille Embosser

USER manual



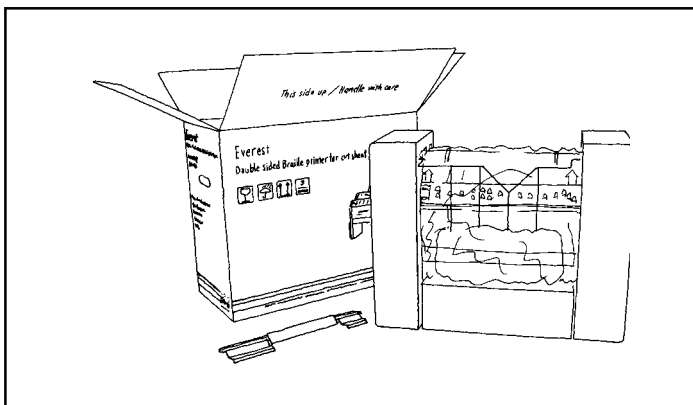
1. Unpacking

1.1 Unpacking instructions

Take the printer up from the box. Remove the two print-head transport locking, red coloured plastics, placed inside the sheet feeder. Save the transportation material.

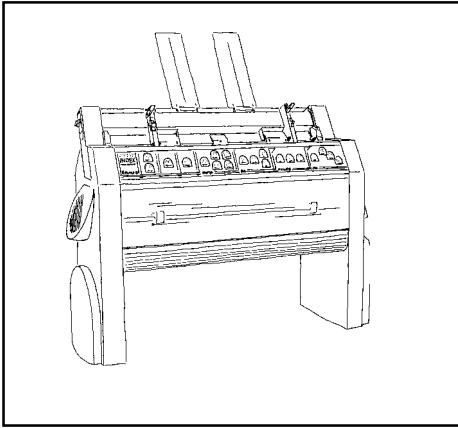
Note! When shipping the printer, it is important to replace the printing head lockers and use the original packing!

Before installing the printer make sure that there is no visible damage to the printer and that the delivery is complete. If you encounter any problems, contact your dealer.



**PLEASE DO
NOT DISCARD
THE ORIGINAL
PACKAGING.**

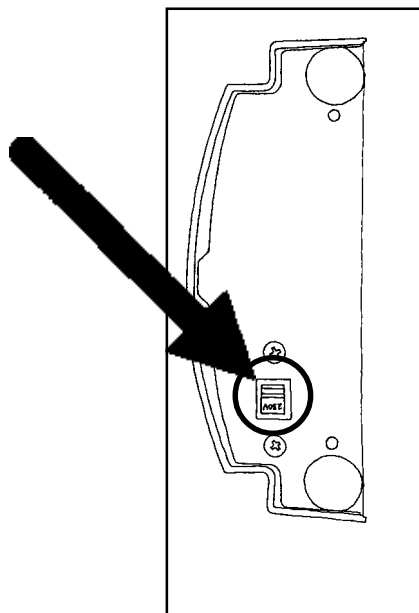
1.2 Unpacking checklist



Index Everest Braille Embosser
Cables
Paper Supports and Sound cover
Everest user manual ink print
Installation CD
Braille paper

1.3 Safety instructions

Before power on, make sure that the *voltage selection switch* is set for the correct value. The switch is located under the left leg of the printer.



2. Before start printing

2.1 How to use this manual

This manual is organised in 10 chapters.

Chapters 1-3 contains basic information install the printer.

We recommend that you read these chapters before you start the printer.

Chapters 4-7 includes detailed information about the different functions of the Everest.

Chapter 8 is an appendix of ESC control sequences.

Chapter 9 contains information about different communication cables.

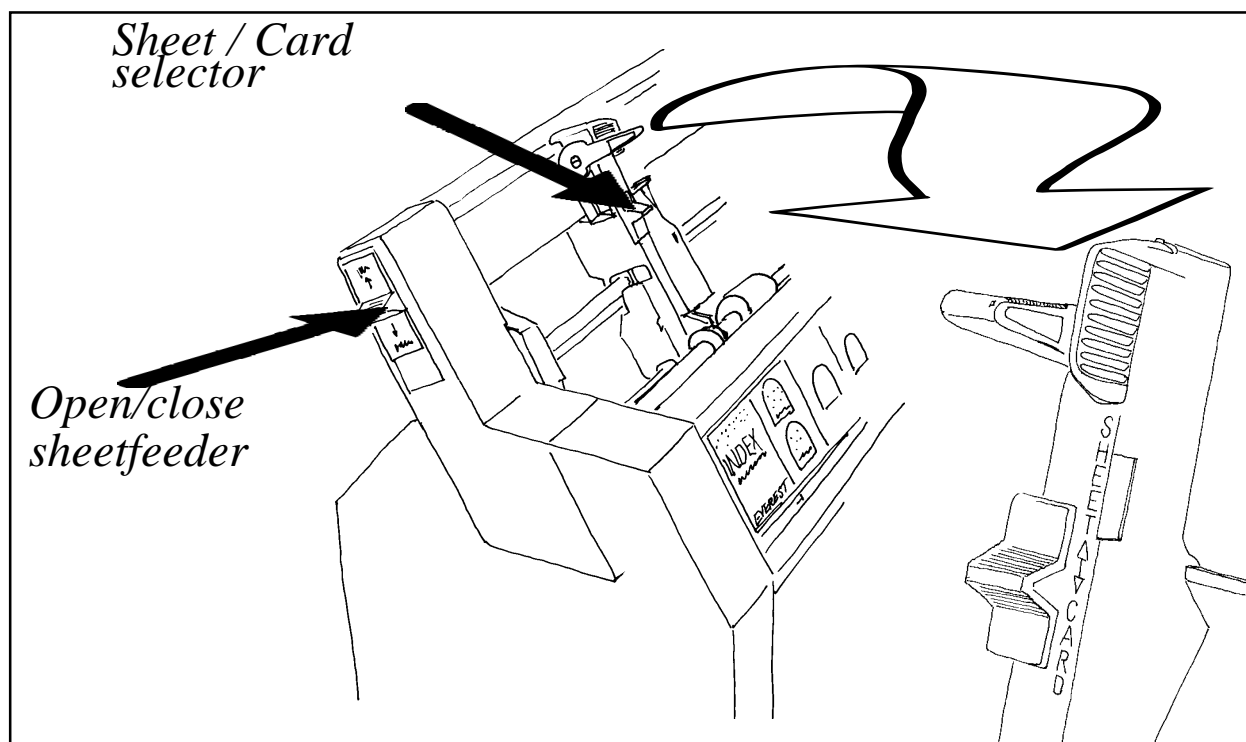
Chapter 10 is a complete ASCII table based on the IBM 437 standard table.

3 Operating the printer

3.1 How to start up

3.1.1 Loading paper

1. Release the pick-up rollers, by moving the control on the side of the sheet feeder upwards and fill it with paper.
2. Adjust the paper margins guides in the sheet feeder to the correct paper width and lock them, with the lever on the top of each margin guide.
3. Set the Sheet/card selectors, located on the front of the paper margin guides in the correct position. When using a more stiff paper like Braille paper, the sheet feeder should be in the lower, *card* position, and when using softer paper like copy paper, the sheet feeder should be in the upper, *sheet* position.
4. Do not overfill the paper magazine. Leave a space between the paper bin and the pick-up rollers of about 1-2 mm before closing it.



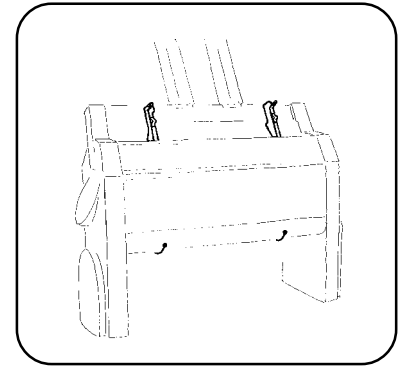
3.1.2 Document guide position

On the lower edge of the front panel cover there are two plastic document guides. The correct position for these is to be lined up with the margin guides and follow the side edges of the sheet, in order to lift the paper to the correct position in the document stack.

Note! If the document guides are too close to the center or used together with a stiff type of paper, it can cause paper jam.

3.1.3 Paper support position

The paper supports is used to keep the paper straight position to avoid multiple feeds. On the top of the sheet feeder, there is a slot for the paper supports. Place the paper supports and press them down into the slot so they are properly fixed and positioned at the margins of the paper.



3.1.4. Paper length setting

The standard paper length for Everest is A4 (297 mm). If a paper with a different length should be used, change the default paper length value by pressing the Form Feed. The printer will feed one sheet of paper, in order to measure it and store the new value in the memory. The new length will be stored until the next time the Form Feed key is pressed. Everest accepts all paper lengths between 100-350 mm (4-14 Inch).

3.1.5 Paper sensor calibration

If the type of paper is changed, e.g. from a thick to a thin paper or from a dark to a light coloured paper, the paper sensor has to be re-calibrated. Please refer to chapter 7.1.5, item A, B and C to perform the paper calibration process.

The command to start the paper sensor calibration is ITEM + Power on.

3.1.6 Computer connection

Connect Index Everest to the computer with the Serial or Centronics interface. In stand-by mode, both ports are open to receive information.

3.1.7 Serial communication cable

Everest is equipped with a 9 pin female (D-sub) on the serial interface, and a standard centronics connector for the centronics interface.

Serial Pin configuration:

2=RXD in, 3=TXD out, 4=DTR out, 5=GND, 6=DSR in, 7=RTS out, 8=CTS in.

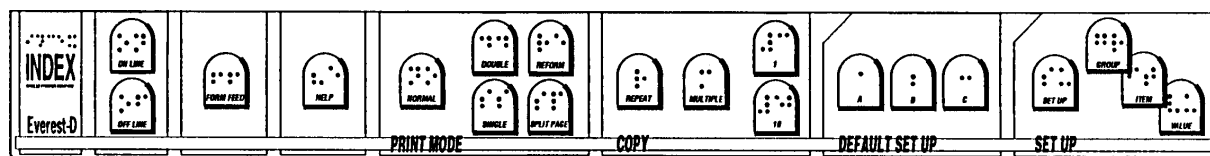
Transmitting parameters (factory setting) are:

Baud Rate=9600, Data Bits=8, Parity=N, Stop Bits=1, Handshake=DTR hardware handshake.

3.1.8 Communication parameters

The communication parameters on the serial-port and centronics port on your PC are normally set with the following command in the AUTOEXEC.BAT file.

```
MODE COM1:9600,N,8,1,P  
MODE LPT1:.,P
```



3.2 Front panel

The control panel and user logic on the Everest is designed to make the use and installation of the printer as easy and efficient as possible. All the keys are marked both in Braille and ink print, and organised in clearly marked modules. The user is guided by digitised speech.

Note! WinBraille will overtake all commands from the front panel. The commands on the front panel are applicable only when the embosser is connected to a DOS operated computer or together with a Braille editor working in Windows, controlling the embosser with a text based driver, e.g. Duxbury.

3.2.1 Start embossing

Connect the printer to your computer, load the paper and turn it on. Everest is ready for use with the default factory settings.

3.3 Default setup

To change the active default setup, press the DEFAULT SETUP KEY A, B or C. Each setup can be individually set for different user preferences.

3.4 Setup

If you need to change the setup parameters use the front panel.

To start the setup sequence press SETUP. In setup mode you can change and save all parameters in the group: BRAILLE CODE, SERIAL COMMUNICATION, PAGE LAYOUT and OPTION.

3.4.1 Number of printed pages

Press the key ITEM in stand by mode to get a spoken message of the total number of printed pages.

3.5 Flow schematic for Setup

Setup	Group	Item	Value
	Braille code	Language	IBM437comp/IBM850comp/N.Amer.comp...
	 Computer table	6/8 Dots
	 Literary table	Without capital prefix/With capital prefix
	Serial communication	Baudrate	300/600/1200/.. 9600
		Data bits	7/8
		Parity	Odd/Even/None
		Stop bits	1/2
		Handshake	Hardware/Software
	Page layout	Char. per line	23/24/26/...48
		Left margin	0/1/2/3
		Binding margin	0/1/2/3
		Top margin	0/1/2/3
		Bottom margin	0/1/2/3
		Line spacing	2.5/3.8/4.4/4.7/5.0/5.2/5.5/7.5/10.0 mm
		Page mode	Single sided/Double sided
		Print mode	Normal/Reformatted
	Option	Page number	On/Off (bottom margin min 1 to set ON)
		Word wrap	On/Off
		Auto line feed	On/Off
		Form feed	On/Off
		Volume	1/2/3/4/5
		Impact level	1/2/3/4/5
		Delay	1/2/3/4/5
		Print quality	Normal/High
		Graphic dot distance	1.6/2.0/2.5 mm
		Text dot distance	2.2/2.5/3.2 mm
		Setup	Open/Not open

4 The sheet feeder

4.1 General function

The sheet feeder is designed to use paper in the weight range of 70-200 gsm. (grams per square metre) Perfect function (a fault frequency maximum 1/1000) requires a paper suitable for the printer, and a correctly installed sheet feeder. The experience we have from thousands of Everest's on the market, indicates that 80% of all good quality paper works perfectly with the Everest.

4.2 Paper quality

There are a number of different paper qualities on the market which are labelled "Braille Paper". Normally they are in the range of 70-180 gsm (20-100 Pound).

To determine if the paper quality is suitable for the Everest check the following details:

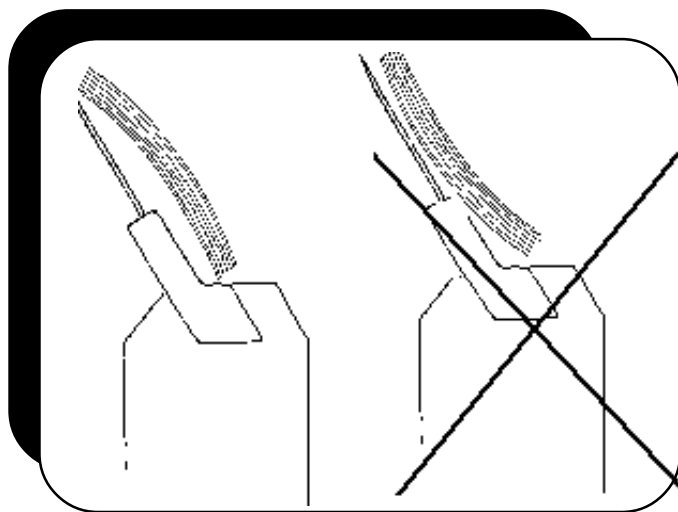
a) The paper is properly cut. There should be a smooth and even surface when you feel with your finger along the cutting edge of the paper.

b) Never use separated fan fold paper. The edges of this paper are very bad and can result in double-feeding, or not feeding at all.

c) The paper must be a clean, with no holes or perforations on the sheet. Holes and perforation are normally made with a punch, and as a result sheets can "stick" together.

d) Check that the surface of the paper has a texture similar to normal copy paper. The roughness of the surface affects the difference between gliding and standing friction and is necessary for proper function. The paper should not have a shiny or glossy surface. (Similar to playing cards.)

e) Ensure that the paper is flat and undamaged. If the paper is bent, it is important that the curving of the paper is towards the front of printer. (See picture below)



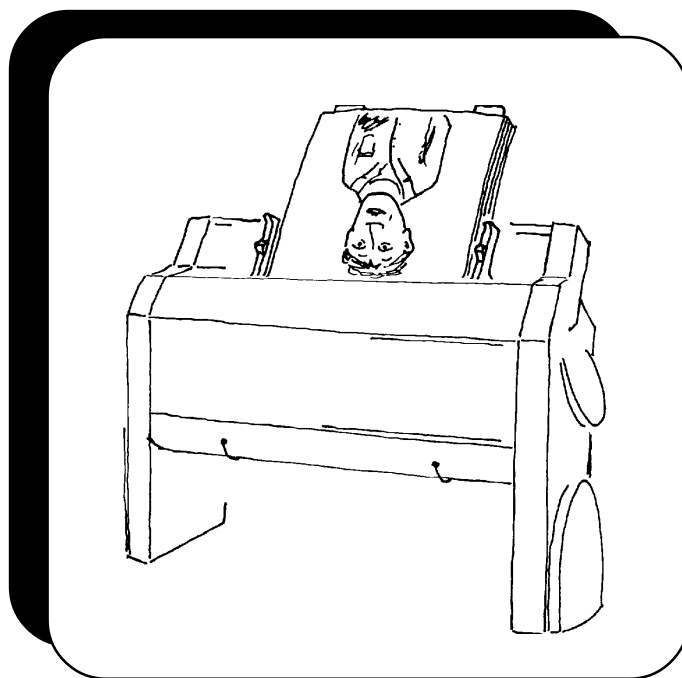
f) Do not use dark coloured paper. It can interfere with the optical paper sensor.

4.3 Loading the sheet feeder

- a) Set the right margin guide to the correct position. To the right, if the margin is set by the position of the paper, and to the left, if the margin is defined from the setup.
- b) Open the sheet feeder with the button on the side of the sheet feeder. Load the paper and move the left paper guide until it slightly touches the paper and lock both paper guides properly.

Note that Everest prints the page up-side-down so that the right paper margin guide is against the left side of the printed paper. (See picture below)

- c) When loading the sheet feeder with paper, make sure it is not overfilled. For the best possible function it is necessary to leave 1-2 mm free space between the pick-up rollers and the paper stack before closing the sheet feeder.
- d) Set the two paper supports close to the margins of the paper.



- e) Adjust the two green DOCUMENT GUIDES at the lower part of the front panel so that they touch about 5 mm of the paper when it leaves the printer. When using a stiff paper, or a paper with a weight above 150 gram (90lbs) the document guides can be placed beside the paper.
- f) Select card or sheet mode on the sheet feeder. CARD mode is normally for paper of 120-200 gsm, and SHEET mode for paper below this weight. Make sure that the CARD/SHEET selection is set to the same position on both side of the paper.

4.3.1 Random double-feed

With good quality paper and correct installation of the sheet feeder, a random double feed rate on maximum 1/1000 must be accepted. If the fault frequency is higher we recommend that you check the paper and installation against the following priorities. This following is a summary from our experiences of a large number of Everest printers on the market.

a. To ensure a good paper quality look at the following details:

- * Properly cut paper - **never use separated fan folded paper**
- * There should be no binding holes or perforations on the paper
- * The paper should have a rough surface (similar to copy paper)
- * Paper should be flat and without damage
- * Check that the *card/sheet* selectors are in the correct position. Test by changing between sheet and card, using the same paper. We recommend use of the *sheet* position if it picks up the paper properly.

b) To ensure good installation of the sheet-feeder, look at the following details:

- * The margin guides should slightly touch the paper and be properly locked
- * Are the *card/sheet* selectors in the correct position?
- * The paper supports must be correctly installed.

c) To ensure good paper out control, look at the following:

- * The *document guides* (green plastic) should be in the correct position, especially if light paper is used. The correct position is about 5 mm from the side edge of the paper.
- * If heavy Braille paper is used we recommend not using the document guides. Simply slide them out from the paper area.

d) Avoid low humidity locations.

If the Everest is used in a room with low humidity, static electricity can cause the paper to stick together. In this case we recommend an increase in the humidity and opening a new sealed package of paper. Low humidity can also occur in a low temperature area or in an air conditioned room.

E) Maintenance of the sheet feeder.

- * We recommend a clean and rub up of the surface of the pick up rollers after 2,000-10,000 pages.

Clean the pick-up rollers with soft soap solution, or even more efficient is to carefully ruff up the surface with a piece of fine sand paper. Hold the clutch against the pick up rollers when pressing Form Feed key.

4.3.2 No paper feed.

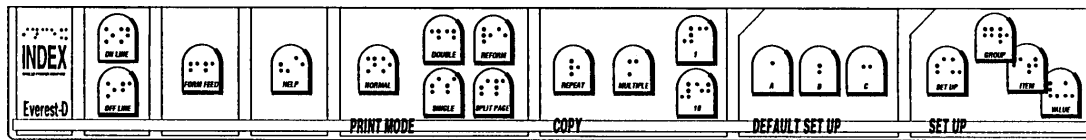
The “no paper feed” situation can occur when the *sheet* position is used for heavy or very stiff paper.

We recommend switching to CARD position and testing again. No feed can also be a result of a combination of reasons such as; dusty pick-up rollers, damaged or holed paper and improper paper installation of the sheet-feeder.

5. Front panel

The control panel is designed to be easy to understand and use. It is organised in 5 groups and the user is guided by digitised speech.

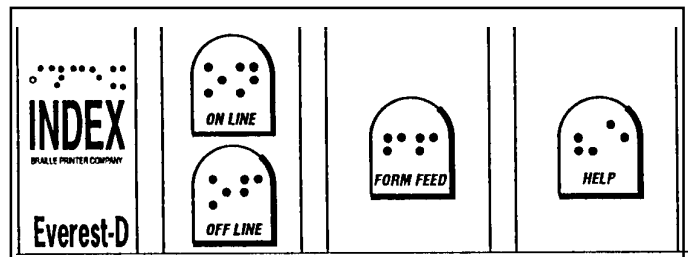
Note! WinBraille will overtake all commands from the front panel. The commands on the front panel are applicable only when the embosser is connected to a DOS operated computer or



together with a Braille editor working in Windows, controlling the embosser with a text based driver, e.g. Duxbury.

The keys are organised in five groups;

1. STANDARD COMMANDS; On Line, Off Line, Form Feed, Help.
2. PRINT MODE; Normal, Reform, Split Page, Double, Single.
3. COPY; Repeat, Multiple, 1, 10.
4. DEFAULT SETUP;
 - A = Default setup A.
 - B = Default setup B.
 - C = Default setup C.



5. SETUP; Setup, Group, Item, Value.

5.1 Standard commands

5.1.1 On/off line

Connect/disconnect line to computer. Pressing Off line during printing also pauses printout.

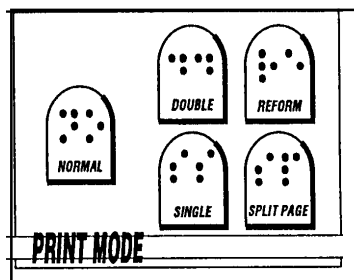
5.1.2 Form Feed

Form Feed measures the paper length by feeding one sheet through the printer.

5.1.3 Help

The HELP key, in the print mode, is used to get a printout of active printer settings in both Braille and graphic. The printout includes the software version, Braille code, active setup parameters for Braille code, page layout, serial communication and options. Press Off line and FF to interrupt the Braille printout and start the graphic printout.

5.2 Print mode



Print mode includes keys for changing between the different print modes. You can choose between *single-sided* and *doublesided* or *normal*, *reformatted* or *split page*.

5.2.1 Double sided

In doublesided mode the printed document will be sorted as a stack which can be put direct into a binder. Graphic printout will always be printed in the single sided mode, on the odd pages (1,3,5,7...), even if the printer is set for double sided printout. If a graphic picture is included in a text file, Everest will automatically change the page formatting so that the graphic and following page will be in single sided mode.

5.2.2 Single sided

Press the key marked SINGLE to set the printer to single-sided printout.

5.2.3 Normal

In normal mode the Everest will print the Braille as it is formatted in the text file. The text has to be formatted with the correct characters per line according to the setup of the printer.

5.2.4 Reformatted

In reformatted print mode the Everest formats the text to erase space in the text file, like multiple space, FF (Form Feed) and CR/LF (New line). This function is very useful when printing a text file made for ink print in Braille or normal literary (grade 1) Braille.

Re-formatting function works in the following way:

Auto line-feed and word wrap is automatically set ON.

1 or more space is substituted with 1 space.

1 CR/LF is erased.

2 CR/LF substituted with 1 CR/LF

3 CR/LF substituted with 1 CR/LF followed by two spaces.

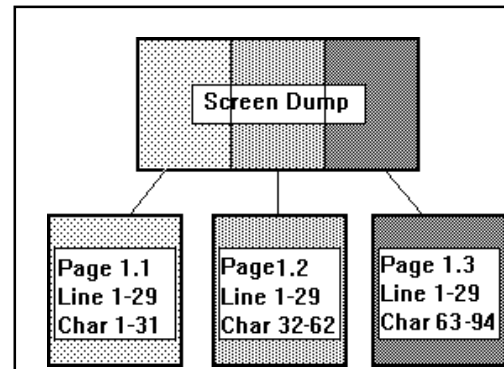
More than 3 CR/LF's are substituted with 2 CR/LF's.

1 FF is erased.

More than 1 FF substituted with 1 FF.

5.2.5 Split page

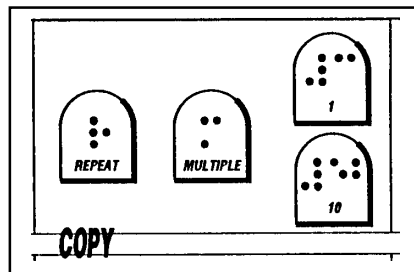
The SPLIT PAGE prints Braille with more characters per line than the setting of the printer, by splitting up the file on several pages width. In SPLIT PAGE mode the printout will be single-sided with a maximum line length of 328 characters. This facility is useful when printing a screen dump of say 80 characters in width.



5.3 Copy

With the copy function you can produce large quantities of Braille without tying up your computer during the printout. Printer buffer is 400K = 400 pages of Braille.

Copy function includes the following keys REPEAT, MULTIPLE, 1 and 10.



With REPEAT and MULTIPLE you can choose between the different copy functions and with “1” and “10” you can select the number of copies, and/or what part of a document to print.

5.3.1 Multiple

MULTIPLE is used to select number of copies

Example: Make 54 copies.

MULTIPLE + 5 x 10 + 4 x 1 + MULTIPLE and send the file to Everest.

5.3.2 Repeat

REPEAT is used to copy the last printed document or a part of it.

Press REPEAT twice to print one copy of the latest document.

Press REPEAT once completed by the number 1+10 to select *starting page*, REPEAT 1 + 10 to select *ending page*. Press REPEAT again, and Everest will print one copy of the selected part of the document.

5.3.3 Load buffer

Repeat can be used to download a file to the printer buffer.

Press the repeat key after power on - Index echo “File to buffer”

Send the file to Everest.

When the file is transferred completely, Everest will start to print.

6. Setup commands

Note! WinBraille will overtake all settings in the setup.

The settings in the setup are applicable only when the embosser is connected to a DOS operated computer or together with a Braille editor working in Windows, controlling the embosser as a text based driver, e.g. Duxbury.

6.1 Default setup = A/B/C

Everest has three different setup parameter settings stored as DEFAULT SETUP A, B and C.

To select DEFAULT SETUP press A, B or C. All changes that are made in the setup are stored in the active default setup.

6.2 Setup

The group of setup keys includes four keys SETUP, GROUP, ITEM and VALUE.

6.2.1 Change Setup

To activate SETUP, press SETUP, Everest will echo “change setup A”. The changes will be stored in the active Setup.

The keys GROUP, ITEM and VALUE are organised in a tree structure where GROUP is the selection of four major groups, ITEM is the different items to change in each group and VALUE is the value for each item. (See description chapter 3.5.)

6.2.2 Setup keys

6.2.2.1 Group

GROUP includes four different groups of parameters, BRAILLE CODE, SERIAL COMMUNICATION, PAGE LAYOUT and OPTION. When pressing GROUP several times you will toggle between these four groups, in a similar way as in ITEM and VALUE.

6.2.2.2 Item

ITEM is the selection available within one GROUP. For example in the GROUP: PAGE LAYOUT you can select between the following ITEM's: characters per line, left margin, binding-margin, top margin, bottom margin, line spacing, page mode, print mode, page number and lines per page.

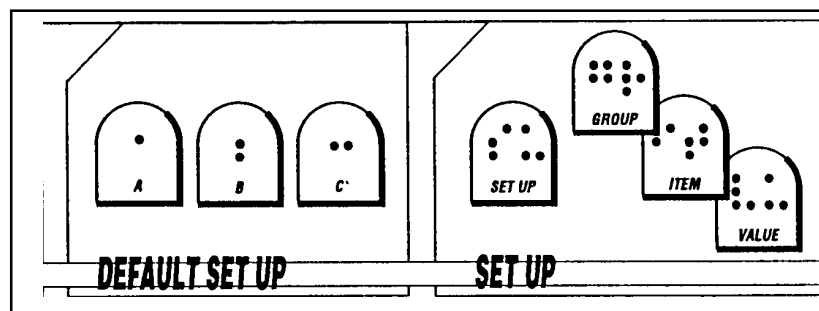
6.2.2.3 Value

VALUE is the actual value that you can select in any ITEM. For example *left margin* 0,1,2 or 3 characters.

6.2.2.3.1 Page layout information

Pressing VALUE with the printer in stand-by mode, it echoes the active number of “lines per page” and “characters per line”.

6.3 Change Setup



This is a command sequence that changes the item VOLUME in group OPTION to highest level.

1. Press SETUP.
2. Press GROUP until the printer echoes "Option".
3. Press ITEM until the printer echoes "Volume".
4. Press VALUE until the printer echoes "five".
5. Press SETUP to save.

6.3.1 Braille code

In this group the following items can be changed; Language, Computer or Literary (Grade 1) Braille, 6 or 8 dot Braille in computer Braille, and with or without capital prefix in Literary (Grade 1) Braille.

When a user defined Braille table is used, it can be changed to all combinations between literary and computer Braille with no system limitations.

6.3.2 Serial communication

In this group all serial communication parameters can be changed.

Baud rate	300/600/1200/2400/4800/9600.
Serial data	7/8.
Parity	Odd/Even/None.
Stop Bit	1/2.
Handshake	Hardware/Software.

6.3.3 Page layout

Page layout contains the following options:

Characters per line	23-48.
Left margin	0/1/2/3.
Binding margin	0/1/2/3.
Top margin	0/1/2/3.
Bottom margin	0/1/2/3.
Line spacing	2.5, 3.8, 4.4, 4.7, 5.0, 5.2, 5.5, 7.5, 10 mm.
Page mode	Single/Double.
Print mode	Normal/Reformatted.
Page number	On/Off.

6.3.3.1 Characters per line

With item *characters per line* you select the value for number of characters per line.

Max.. Char/line: Interpoint is 42
Interline is 48
Jumbo Braille 30

6.3.3.2 Left margin

The option *left margin* gives the width of your margin. Select number of characters.

6.3.3.3 Binding margin

Binding-margin is used to provide extra width on your margin if you wish to bind it into a file or as a book. This moves the text blocks on both sides simultaneously.

6.3.3.4 Top margin

Top margin gives blank lines at the top of each page. Select number of lines.

6.3.3.5 Bottom margin

Bottom margin gives blank lines at the bottom of each page.

6.3.3.6 Line distance

Line distance sets the distance between the lines in mm.

6.3.3.7 Page mode

With *page mode*, you can select between single- or doublesided. Default is doublesided.

6.3.3.8 Print mode

With the option *print mode*, select between normal and reformatted printout.

6.3.3.9 Page number

With the option *page number*, select page numbering - On/Off.

NOTE! Minimum bottom margin value 1 to enable *page number on*.

6.3.3.10 Page layout Guideline

To determine the layout of an Interpoint printout, there is a few things to consider.

Line length

Maximum number of characters should never exceed the paper width, otherwise parts of the text will be printed outside the paper and therefore be lost.

Use the following setting of the characters per line in *Interpoint/interline 2,5 mm* mode.

8,5" / 215 mm width= max. 32 char/line
 12" / 297 mm width= max. 42 char/line

In Japanese standard *interline, 2,2 mm dot distance*, use the following setting

8.5" / 215 mm width= max. 36 char/line
 12" / 297 mm width= max. 48 char/line

Margins

See the description on the picture beside.

On the front-page all margins are at the given position. The left margin and the binding margin are both to the left of the page. On the back-page the left margin has "moved" to the opposite side, viewed from the front, and the binding margin remains on the same position.

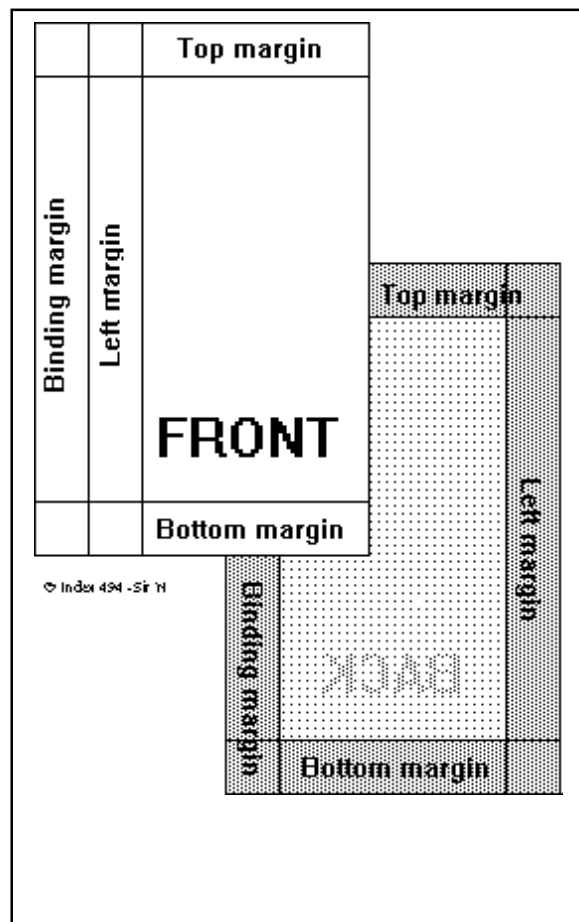
When changing the size of the binding margin, the text-blocks on both sides moves simultaneously in the same direction, but when changing the left margin, the text-blocks move in the opposite directions.

In doublesided mode, only use the B-margin setting.

6.3.4 Options

The following options are available:

- Word wrap On/Off.
- Auto Line-feed On/Off.
- Form feed On Off.
- Volume 1/2/3/4/5.
- Impact level 1/2/3/4/5.
- Delay time 1/2/3/4/5.
- Print quality Normal/High
- Graphic dot distance 1.6/2.0/2.5 mm
- Text dot distance 2.2/2.5/3.2 mm.
- Setup Open/Not open.
- Line Type Normal/Japanese.



6.3.4.1 Word wrap

Select between split words or wrap it to the next line.

6.3.4.2 Auto line-feed

Select an automatic line-feed together with a carriage return according to your computer software.

6.3.4.3 Form Feed

Select ON to get an empty page between each copy of a document.

6.3.4.4 Volume

Select the volume of the speech feedback.

6.3.4.5 Impact level

Select the impact level on the hammers according to different paper qualities.

6.3.4.6 Delay time

Select the delay time for the printer to wait for more information after a file.

Note! Using a computer with a slow disc-drive requires a longer delay time in the printer.

6.3.4.7 Print quality

Select *normal* or *high* print quality.

High quality prints every line twice. This improves the Braille quality when printing very heavy paper or plastic sheets.

6.3.4.8 Graphic dot distance

Select between 1.6, 2.0 or 2.5 mm resolution in graphic mode.

6.3.4.9 Text dot distance

Selects resolution in *text mode*.

Select between 2.2 mm *Japanese standard*, 2.5 mm *Normal* or 3.2 mm *Jumbo Braille*.

Note! 2.2 mm sets automatically Line type *Japanese*. Maximum number of *characters per line* in Japanese mode is 48.

6.3.4.10 Set up

Select access to setup. NOT OPEN gives access only by the command “power on + Setup key”. OPEN gives access by pressing the Setup key when printer is on stand by. Changing of access to Set up (Open/Not open) will effect all three setups, A/B/C.

7 Support CD

7.1 CD contents

With the embosser you also got a CD with all the required support softwares for your embosser. The CD is designed as a web, using a special web browser to run.

This web browser has a special feature - it can run other software applications by clicking on a link.

No other browser can be used to explore run cd, however it can be explored by e.g. Windows explorer.

On the CD you can find: Embosser Software's, Manuals in different formats, Product information, High resolution pictures and a link to Index Web site.

If your computer can not run the CD, please refer to the readme.txt file on the CD for further instructions.

7.2 Start the CD

The contents of this CD is designed as a web site, containing html pages and executable programs applicable for use with Index Embossers.

Insert your CD in the CD-rom player. If your computer allows "autorun" the CD will start immediately. Else go to Start/Run and browse to your CD-rom driver, e.g. D:\ START.BAT and click OK.

The browser embedded with the CD will start to display the first page of the CD. From here you can find links to the entire contents of the CD.

This browser has a special feature - it can execute commands directly from a html page, why we strongly recommend not to use any other browsers.

7.3 WinBraille system

The CD includes the WinBraille system, compatible to Windows 95/98/NT.

WinBraille will be used as the software platform for Index Embossers. Beside the editing and translation features it also provides functions for upgrading the embosser software's and give access to Index web site. There you can take advantage of our support features as well as download rule files for the WinBraille system.

WinBraille is a Braille editor with a full blown Windows driver. That means that you can install WinBraille with your embosser as default printer and print directly from any Windows application, e.g. your web browser and print any web page from the internet.

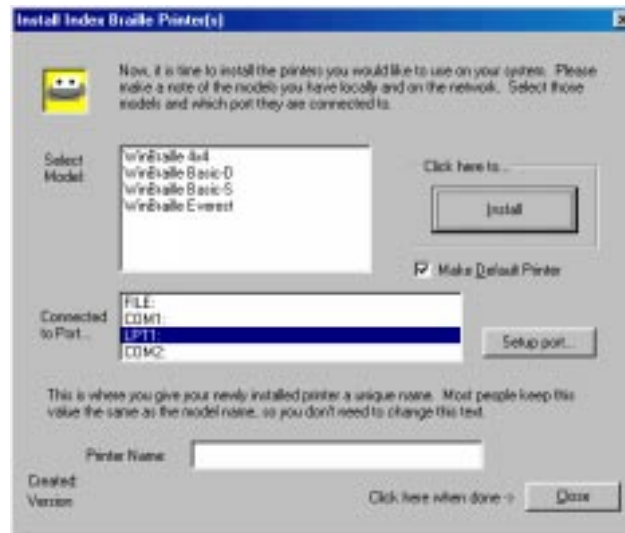
WinBraille controls the embosser completely. There is no need for any settings in the set up nor the front panel of the embosser.

WinBraille also includes a *Rule file editor* for Braille tables. Use this editor to create or edit your literary Braille tables or Braille contraction tables for grade 2 Braille.

For detailed information about the WinBraille system, please refer to the help file in the WinBraille system.

7.3.1 Install WinBraille

From the main page of the CD, browse to the WinBraille page and click on the link to install the WinBraille software and follow the instructions.

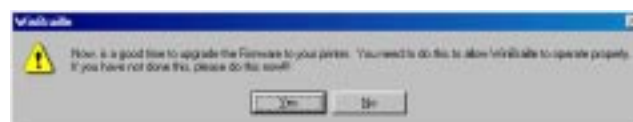


7.3.2 Install printer driver for WinBraille

When the installation of WinBraille is ready, the installation wizard will continue to install the printer driver for the program.

The following dialog box will appear on the screen:

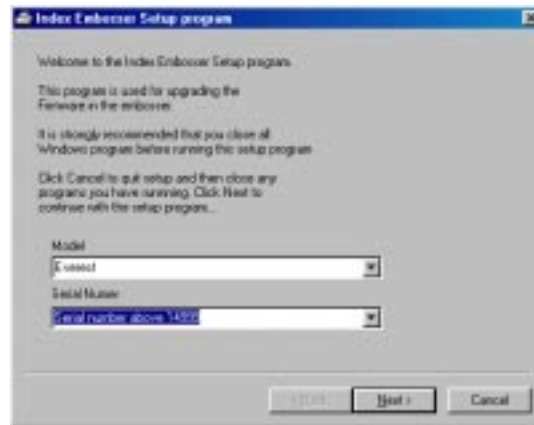
1. Select embosser type
2. Select port
3. Select if the WinBraille embosser should be set as default printer.



4. Click on the Install button.

When the printer driver installation is ready, click on the Close button.

7.4 Embosser software installation.



After the installation of the WinBraille software is completed, the installation program will suggest that you also upgrade your embosser to the latest software, provided on this CD. Continue with the installation wizard by following the instructions on the screen.

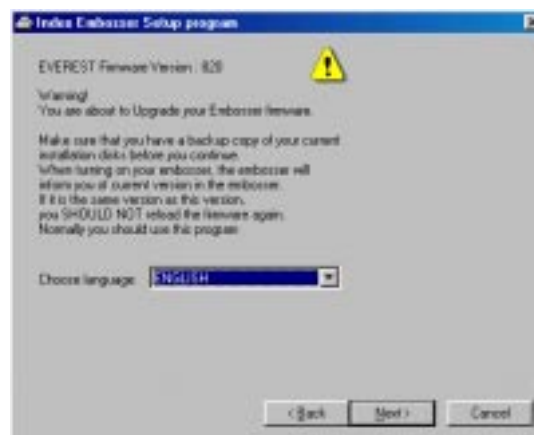
Note! The Windows compatible version 8.20/9.20 is required for the WinBraille.

7.4.1 Firmware upgrade



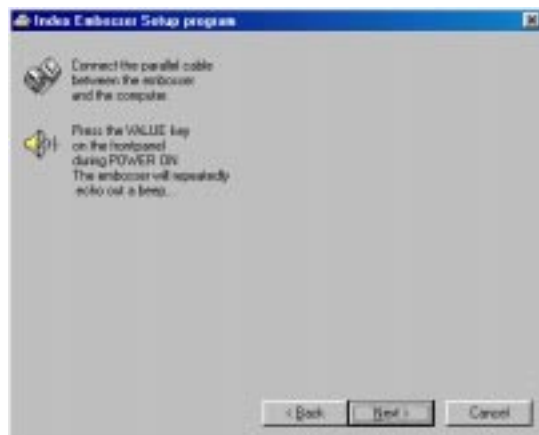
A new dialog box will now appear. Read the instructions and click on NEXT to continue.

7.4.2 Select language

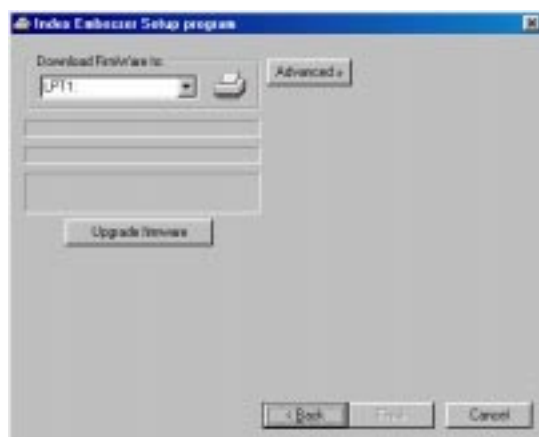


Select your desired language in the menu and click on NEXT to continue.

7.4.3 Set embosser in upgrade mode



When the next dialog box appears, power up the embosser whilst pressing the VALUE key. The embosser will now start up and giving a repeated beeping sound. Click next in the dialog box.



7.4.4 Firmware transfer

When the final download dialog box is displayed, make sure that the correct port is selected, then press the UPGRADE FIRMWARE button.

When the installation is ready, the program will shut down and the embosser will echo "Index Everest Ready".

If you upgraded your embosser from a version below 8.09, you must make a paper sensor calibration before the embosser is ready for use with the WinBraille system.

7.4.5 Software Installation from CD.

There are several versions of the Everest software available on this CD. The Windows compatible version 9.20 is required to use the WinBraille system.

Compatible support software's are available on the CD in the 8.12 DOS version.

If you like to install a software without installing WinBraille continue from the main page of the CD, browse to the *Embosser software's page* and click on the link for *Index Embosser software's* and select version 8.20 for Windows or version 8.12 DOS. Finally, click on the *installation link* and the process will start immediately .

If you have an older Everest embosser and are using a DOS based system or e.g. an editor like Duxbury or likely, we recommend that you install the DOS based version 8.12.

Note! The DOS version should be **installed** to the computer whilst running in Windows mode but the program must run in pure DOS mode. Shut down the Windows and restart in DOS mode.

7.4.6 Support Software for Everest

There is no support software implemented on the Everest installation disk.

If you need to make adjustments in the settings of the embosser, e.g. hammer impact etc., install the DOS version 8.12 that is available on the support CD.

A manual for that version is also available on the support CD.

7.4.7 Paper sensor calibration

The Everest software has a sophisticated feature to calibrate the paper measurement system. Read this chapter carefully before you install the software to your computer. In case of doubt, contact your local distributor.

After the installation process is completed the calibration process should take place immediately:

Load the sheet feeder in **landscape** format. (The longest edge of the paper down in the sheet feeder.)

Note! As default value the calibration process is using standard size A4 paper, however any paper size with different length and width can be used in the process. All values are metric (millimetres).

Use the command to start the paper sensor calibration is ITEM + Power on.

A. FIRST PAPER - IN LANDSCAPE POSITION

Directly after downloading one sheet of paper will be fed trough the paper feeding system. This paper is only used to set the reflection sensitivity of the paper sensor.

When the paper is fed through, the embosser will ask for the length of the next paper by suggesting 210 mm. (ECHO = 210)

If you need to change this value, press the key "1" = + 1 or key "10" = -1.

Press key SETUP to save the value.

B. SECOND PAPER - IN LANDSCAPE POSITION

After pressing "SETUP", the embosser will measure the length of the second paper. The embosser will then ask for the length of the third paper. As default the embosser will echo 297 mm. (ECHO = 297)

C. THIRD PAPER - IN PORTRAIT POSITION

Place the paper in the sheet feeder in **portrait** position. (The shortest edge down in the sheet feeder).

Press the key "1" = + 1 or key "10" = -1 if you need to adjust the value.

SETUP to save the value. The embosser will measure the paper again and recalculate the default settings.

7.5 WinBraille

7.5.1 Start WinBraille

Go to the WinBraille folder on the Start menu and click on WinBraille.

The first time the program is started, a *tutorial wizard* will start to guide you through the profiles settings and teach you how to use the software.

The tutorial wizard is also accessible in the help menu.

7.5.2 Register WinBraille

By the end of the tutorial wizard a registration form will be displayed. Make sure that you fill the form and mail it to Index.

By registering as a WinBraille user, you will be notified on future program changes and upgrades.

The registration form is also accessible in the help menu.

7.5.3 Upgrade WinBraille

Upgrades can be automatically upgraded from Index Web site. On the help menu go to *Internet* and click on *get upgrades* and follow the instructions.

You can also visit our web site **www.indexbraille.com** if you like to download a new version.

8 Control sequences

8.1 Pro-printer emulation

The INDEX utilises and interprets the control commands in a similar way to the IBM-PROPRINTER X24. The control commands which are only applicable to ink printers will automatically be removed by the printer.

Some of the command strings contains even additional variables. Refer to the IBM Proprinter X24 Mode Commands.

Note! When using WinBraille, it will overtake all commands and the commands listed on this page is not applicable

Table of ESC Sequences

* ESC A	65	Text Line Spacing
* ESC B	66	Vertical Tabs.
* ESC C	67	Form Length
* ESC D	68	Horizontal Tabs
* ESC E	69	Emphasised Print
* ESC F	70	Cancel Emphasised Print
* ESC G	71	Near Letter Quality
* ESC H	72	Cancel Near Letter Quality
* ESC I	73	Font Selection
* ESC J	74	Variable Line Space
* ESC K	75	Normal Density Bit Image Graphics
* ESC L	76	Dual Density Bit Image Graphics
* ESC N	78	Automatic perforation Skip
* ESC O	79	Cancel Automatic perforation skip
* ESC P	80	Proportional Space Mode
* ESC Q	81	De-select Proprinter XL
* ESC R	82	Reset Tabs
* ESC S	83	Super/Subscript Print
* ESC T	84	Cancel Sub/Superscript Print
* ESC U	85	Unidirectional Print
* ESC W	87	Double Wide Print
* ESC X	88	Set Horizontal Margins
* ESC Y	89	Dual Density Bit-Image Graphics
* ESC Z	90	High Density Bit-Image Graphics
* ESC 0	48	1/8 Inch Line Spacing
* ESC 1	49	7/72 Inch Line Spacing
* ESC 2	50	Start Text Line Spacing
* ESC 3	51	Graphic Line Spacing
* ESC 4	52	Set Top of Form
# ESC 5	53	Automatic Line feed
ESC 51		Auto Line Feed ON
ESC 51		Auto Line Feed OFF
# ESC 6	54	Select Character set 2
* ESC 7	55	Select Character set 1
* ESC -	95	Continuous Over-score
* ESC -	196	Continuous Underscore
* ESC :58	12	CPI Print
* ESC ^N	14	Sets single line double width printing
* ESC ^O	15	17 CPI print
* ^R	18	Release compress printing
* ESC =	61	Font Image Download
* ESC [+@	91,64	Double height printing
# ESC \	92	Select all Characters Chart
ESC\n1(n2x256)		Transparent mode where n1 and n2 (Hex) are the number of characters in the transparent string. In the string there is no translation "bit 1" corresponds to "dot", "bit 2" to "dot 2" and so on.
* Esc^	94	Prints 1 character from all character chart.
* ESC k	107	Selects print font style
* ESC *	42	Sets bits image mode selection
* ESC [+g	91,103	Sets bits image mode selection
* ESC [+\ * ESC d	91,92	Selects the base line feed unit
* ESC d	100	Sets relative position
* ESC j	106	Sets off line mode

8.2 Defined codes

Decimal	ctl. char	Function
*8	^H	Backspace
*9	^I	Horizontal Tab. Skip
#10	^J	Line-feed
*11	^K	Vertical Tab-skip
#12	^L	Form Feed
#13	^M	Carriage return
*14	^N	Double with (for 1 line only)
*15	^O	17 CPI (condensed)
*17	^Q	Print suppress OFF
*18	^R	10 CPI (pica)
*20	^T	Double with OFF (Before end of line)
#24	^X	Clear Buffer
#27	ESC	ESC - before codes
#32	Space	Space

* = This ESC sequence is removed from the text file by INDEX

= This ESC sequence controls INDEX in a similar way to the IBM Proprinter

8.3 ESC Sequences - Index commands.

ESC ^C	Select 6-dot Braille cell
ESC ^D	Select 8-dot Braille cell
ESC 1	Start 6-dot graphic
ESC]	End 6-dot graphic
ESC ^G	Start 4 dot graphic
ESC ^F	End 4 dot graphic
ESC ^A	Start 6-dot Braille printout for Versapoint files
ESC ^B	End 6-dot Braille printout for Versapoint files
ESC ^O	Start/End Setup sequence from computer
[ESC][252] TEXT [ESC][252]	Letter Graphic

8.4 VersaPoint graphic

ESC ^A	Start 6-dot Braille printout for Versapoint files
ESC ^B	End 6-dot Braille printout for Versapoint files

8.5 Multiple copies selection by ESC sequences

Choose number of copies by sending the following ESC sequence in the beginning of the file, like a driver:

[ESC][^R], xxx,[ESC][^R]

Note! If the printer is preset in multiple copy mode, that will override the software command!

[^O] means that you should write the control code with decimal position 15 (SI)

[^A] means that you should write the control code with decimal position 1 (SOH)

Position 0 - Activated Braille code

0 = OWN 1

1 = OWN 2

2 = First Braille code in the BRLED list

3 = Second Braille code in the BRLED list - and so on until...

18 = Last Braille code in the BRLED list

Position 1 - Type of Braille code

0 = Computer

1 = Literary

Position 2 - 6/8 Dot Braille

If activated Braille code is COMPUTER you must choose 6 or 8 dots Braille code

0 = 6 dots

1 = 8 dots

Position 3 - Capital prefix

1 = Capital prefix

0 = No capital prefix

Position 4 - Baud Rate

0 = 300 baud

1 = 600 baud

2 = 1200 baud

3 = 2400 baud

4 = 4800 baud

5 = 9600 baud

Position 5 - Number of data bits

0 = 7 data bits

1 = 8 data bits

Position 6 - Parity

0 = Odd

1 = Even

2 = None

Position 7 - Number of stop bits

0 = 1 stop bit

1 = 2 stop bits

Position 8 - Handshake

0 = Hardware

1 = Software

Position 9 - Characters per line

0 = 23 characters per line ...

1 = 24 characters per line and so on until

26 = 48 characters per line.

Position 10 - Left margin

0/1/2/3 = characters in margin

Position 11 - B-margin

0/1/2/3 = characters in B-margin

Position 12 - Top margin

0/1/2/3 = lines in top margin

Position 13 - Bottom margin

0/1/2/3 = lines in bottom margin

Position 14 - Line spacing

0 = 2.5 mm

1 = 3.8 mm

2 = 4.4 mm

3 = 4.7 mm

4 = 5.0 mm *

5 = 5.2 mm

6 = 5.5 mm *

7 = 7.5 mm *

8 = 10.0 mm *

* Possible values in Japanese line type.

Position 15 - Page Mode

0 = Single side

1 = Double side

Position 16 - Print mode

0 = Normal

1 = Reformatted

2 = Split page *

* Available in temporary files only.

Position 17 - Page number

0 = Off
1 = On

Position 18 - Idle

Position 18 is not available.

Position 19 - Word wrap

0 = Word wrap off
1 = Word wrap on

Position 20 - Auto line feed

0 = Auto Line-feed off
1 = Auto Line-feed on

Position 21 - Form Feed

0 = Off
1 = On

Position 22 - Volume

0 = volume 1
1 = volume 2
2 = volume 3
3 = volume 4
4 = volume 5

Position 23 - Impact level

0 = Impact level 1
1 = Impact level 2
2 = Impact level 3
3 = Impact level 4
4 = Impact level 5

Position 24 - Delay

0 = Delay 1
1 = Delay 2
2 = Delay 3
3 = Delay 4
4 = Delay 5

Position 25 - Print Quality

0 = Normal
1 = High

Position 26 - Graphic dot distance

0 = Graphic mode 2.0 mm
1 = Graphic mode 2.5 mm
2 = Graphic mode 1.6 mm

Position 27 - Text dot distance

0 = Text mode Normal, 2.5 mm.
1 = Text mode Japan, 2.2 mm.
2 = Text mode Jumbo Braille, 3.2 mm.

Position 28 - Setup

0 = Setup not open
1 = Setup open

Position 29- 39.

Position 29 - 39 are not available.

8.7 Page numbering selection by ESC sequences

While printing several documents, that should be connected to each other as one document, it is possible to select continuous page numbering.

To choose continuing number from the of the previous document, send the following ESC-sequence in the beginning of the file, like a driver:

ESC^Q,0,ESC

To choose a certain page number from the first page of the next document, send the following ESC-sequence in the beginning of the file, like a driver:

ESC^Q,xxx,ESC

8.8 Remaining copies to print

While printing multiple copies of a document, it is possible to get a message of the number of copies left to print by the following command:

1. Press Off line.
2. Press Help. The printer will echo the remaining number of copies to print, and at what page the printout was interrupted: Number of copies #, page #.

Example: Print a document of 10 pages, interrupt in copy no. 3 at page no. 6:

ECHO: "Number of copies 7, page 6."

8.9 Transparent mode

Command = ESC\n1n2 "text"

n1 and n2 (hex) gives together the total number of characters printed in transparent mode and is given in the base of 256.

n1 is the number of singular and n2 the multiple number of 256.

When printing *transparent mode*, first set the printer for 8 dot computer Braille.

Example

Print 1 character; text "A". Command ESC\10A

[ESC][\][SOH][NULL]A

Print 257 characters; text "A". ESC\11AAAA....(257xA)

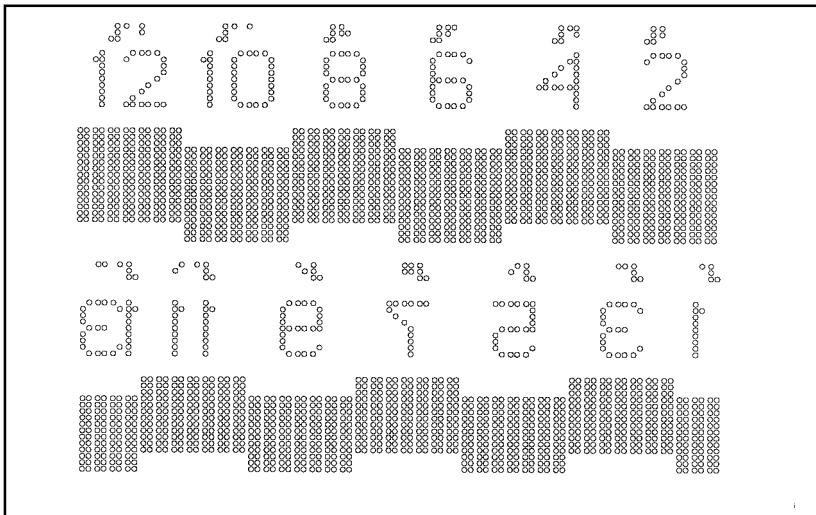
[ESC][\][SOH][SOH]A....(text string)

Print 260 characters; text "A". ESC\41AAAA....(260xA)

[ESC][\][EOT][SOH]A....(text string)

8.10 Power on commands

8.10.1 Self test



Command: On line + power On.

This command starts a self will print a pattern of all hammers. Then choose a printout at normal impact level by pressing ON LINE again, or at low impact level by pressing OFF LINE to compare the variations between different hammers.

8.10.2 Factory setting

Command: Group + power On.

The printer will reload all parameter settings except operation defined Braille code OWN ONE and OWN TWO. The factory setting will activate setup A.

To make a system reset, press GROUP + POWER ON.

After the system reset, the printer will echo "SETUP 000, Index Everest ready".

8.10.3 Transport mode

Command: Form Feed + power On.

To find the correct position for the printing head in order to get the transport lockers on their places, press the Form Feed key while you power up the printer. The printing head will find the correct centre position, and then echo: "Index Everest ready". Turn the printer off again and insert the lockers by pressing them downwards at the edge of each side in the sheet feeder.

Note! It is very important to install the printing head transportation locking before you pack the printer in the original box. Ignoring this can cause major damage to the printer.

8.10.4 Upgrade mode

Command: Value + power On.

Press this command to initialise the embosser to receive new software.

8.11 Fault messages

8.11.1 Failure "No reference-pulse"

Turn the printer off/on. If you still get the same message, contact your service distributor.

8.11.2 Failure Paper length fault

This fault appears when the paper is too short compared to the measured paper length or if the paper is dark coloured.

1. Press ON LINE eject the paper and to print a new copy of the current page. The paper will be automatically re-measured before the printing continues.

8.11.3 Failure Paper jam

This fault appears when the paper is too long compared to the measured paper length.

1. Press ON LINE eject the paper and to print a new copy of the current page. The paper will be automatically re-measured before the printing continues.
2. If there is serious paper jam due to i.e. multiple feed etc., press FORM FEED key to eject the paper out of the system. The printer will now use a reduced speed with high torque to eject the paper slowly out of the printer. If there should be a problem to get the paper out of the printer, use the FF key to toggle FF OFF/ON. When the paper is ejected, press ON LINE to cancel the FF operation. The paper will be automatically re-measured before the printing continues.

8.11.4 Failure 140 - invalid setup command

Not valid command when selecting A, B or C from computer.

8.11.5 Failure invalid setup value

If there is an invalid numeric value in the setup file, the printer will echo i.e. "Fail item Baudrate, Value 10".

8.11.6 Failure 160 - EEPROM failure

Major fault in EEPROM. Contact your service distributor!

8.11.7 Failure 170 - Printer buffer exceeded

Error message if pressing REPEAT key, and file is larger than the available buffer. Repeat command is not accessible.

9 Serial communication cables

9.1 Serial cable Everest-IBM

There is a standard cable between the Everest and the PC. On the Everest side a 9 pin male D-sub and on the PC side a 25 or 9 pin female D-sub. Cable with the following wires.

Everest - 25p D-sub.

2-2, 3-3, 4-6, 5-7, 6-20, 7-5, 8-4

Everest - 9p D-sub.

2-3, 3-2, 4-6, 5-5, 6-4, 7-8, 8-7

10. ASCII-table

Dec Value		0	16	32	48	64	80	96	112	128	144	160	176	192	208	224	240
▼	Hex Value	0	1	2	3	4	5	6	7	8	9	A	B	C	D	E	F
0	0	NULL	DLE ¹⁶	SP ³²	0 ⁴⁸	@ ⁶⁴	P ⁸⁰	p ⁹⁶	Ç ¹¹²	É ¹²⁸	á ¹⁴⁴	█ ¹⁶⁰	L ¹⁷⁶	ll ¹⁹²	α ²⁰⁸	≡ ²²⁴	█ ²⁴⁰
1	1	SOH	DC1	!	1	A	Q	a	q	ü	æ	í	█	l	τ	β	±
2	2	STX	DC2	"	2	B	R	b	r	é	Æ	ó	█	T	π	Γ	≥
3	3	ETX	DC3	#	3	C	S	c	s	â	ô	ú		f	ll	π	≤
4	4	EOT	DC4	\$	4	D	T	d	t	ä	ö	ñ		-	E	Σ	∫
5	5	ENQ	NAK	%	5	E	U	e	u	à	ò	Ñ	≡	+	F	σ	J
6	6	ACK	SYN	&	6	F	V	f	v	å	û	ª	ll	F	π	μ	÷
7	7	BEL	ETB	'	7	G	W	g	w	ç	ù	º	π	ll	ll	τ	≈
8	8	BS	CAN	(8	H	X	h	x	ê	ÿ	¿	≡	ll	≡	Φ	°
9	9	HT	EM)	9	I	Y	i	y	ë	Ö	ƒ	ll	ll	J	θ	•
10	A	LF	SUB	*	:	J	Z	j	z	è	Ü	ƒ	ll	ll	ll	Ω	•
11	B	VT	ESC	+	;	K	[k	{	ï	ç	½	ll	ll	█	δ	√
12	C	FF	FS	,	<	L	\	l	l	î	£	¼	ll	ll	█	∞	η
13	D	CR	GS	-	=	M]	m	}	ì	¥	ı	ll	=	█	φ	²
14	E	SO	RS	.	>	N	^	n	~	Ä	Pt	«	ll	ll	█	ε	█
15	F	SI	US	/	?	O	_	o	Δ	Å	∫	»	ll	ll	█	∩	

Control-codes

- | | | |
|----------------------------|--------------------------------|---------------------------------|
| NUL = Null | VT = Vertical Tabulation | SYN = Synchronous Idle |
| SOH = Start Of Heading | FF = Form Feed | ETB = End Of Transmission Block |
| STX = Start Of Text | CR = Carriage Return | CAN = Cancel Line |
| EXT = End Of Text | SO = Shift Out | EM = End Of Medium |
| EOT = End Of Transmission | SI = Shift In | SUB = Substitute (even used as |
| ENQ = Enquiry | DLE = Data Link Escape | EOF = End Of File) |
| ACK = Acknowledge | DC1 = Device Control 1 (XON) | ESC = Escape |
| BEL = Bell | DC2 = Device Control 2 | FS = File Separator |
| BS = Backspace | DC3 = Device control 3 (XOFF) | GS = Group Separator |
| HT = Horizontal Tabulation | DC4 = Device control 4 | RS = Record Separator |
| LF = Line Feed | NAK = Negative Acknowledgement | US = Unit Separator |

Index

A			I			R		
ASCII-table	32		Impact level	19		Reformatted	13	
Auto line-feed	19		Item	15		Repeat	14	
B			J			S		
Binding margin	17		Jumbo Braille	19		Safety instructions	4	
Bottom margin	17					Self test	30	
Braille code	16		L			Serial communication	6, 16	
C			Left margin	17		Serial communication cables	31	
CD contents	20		Line distance	17		Set up	19	
Characters per line	17		Line length	18		Setup commands	15	
Control sequences	24		Load buffer	14		Sheet / Card selector	5	
Control-codes	32		M			Sheet feeder	9	
Copy	14		Margins	18		Single sided	13	
D			Multiple	14		Split page	14	
Defined codes	25		N			Standard commands	12	
Delay time	19		Normal	13		Support disk	20	
Document guide position	6		Number of printed pages	7		T		
Double sided	13		O			Text dot distance	19	
Downloading the firmware	22		On/off line	12		Top margin	17	
E			Options	18		Transparent mode	29	
Everest Support disc	20		P			Transport mode	30	
F			Page layout	16		U		
Factory setting	30		Page layout Guideline	18		Unpacking	3	
Firmware upgrade	22		Page layout information	15		Upgrade mode	22	
Form Feed	12, 19		Page mode	17		Upgrading the firmware	23	
Front panel	7, 12		Page number	17		V		
G			Paper length setting	6		Value	15	
Graphic dot distance	19		Paper quality	9		Volume	19	
Group	15		Paper support position	6		Word wrap	18	
H			Power on commands	30				
Help	12		Print mode	13, 17				
			Print quality	19				