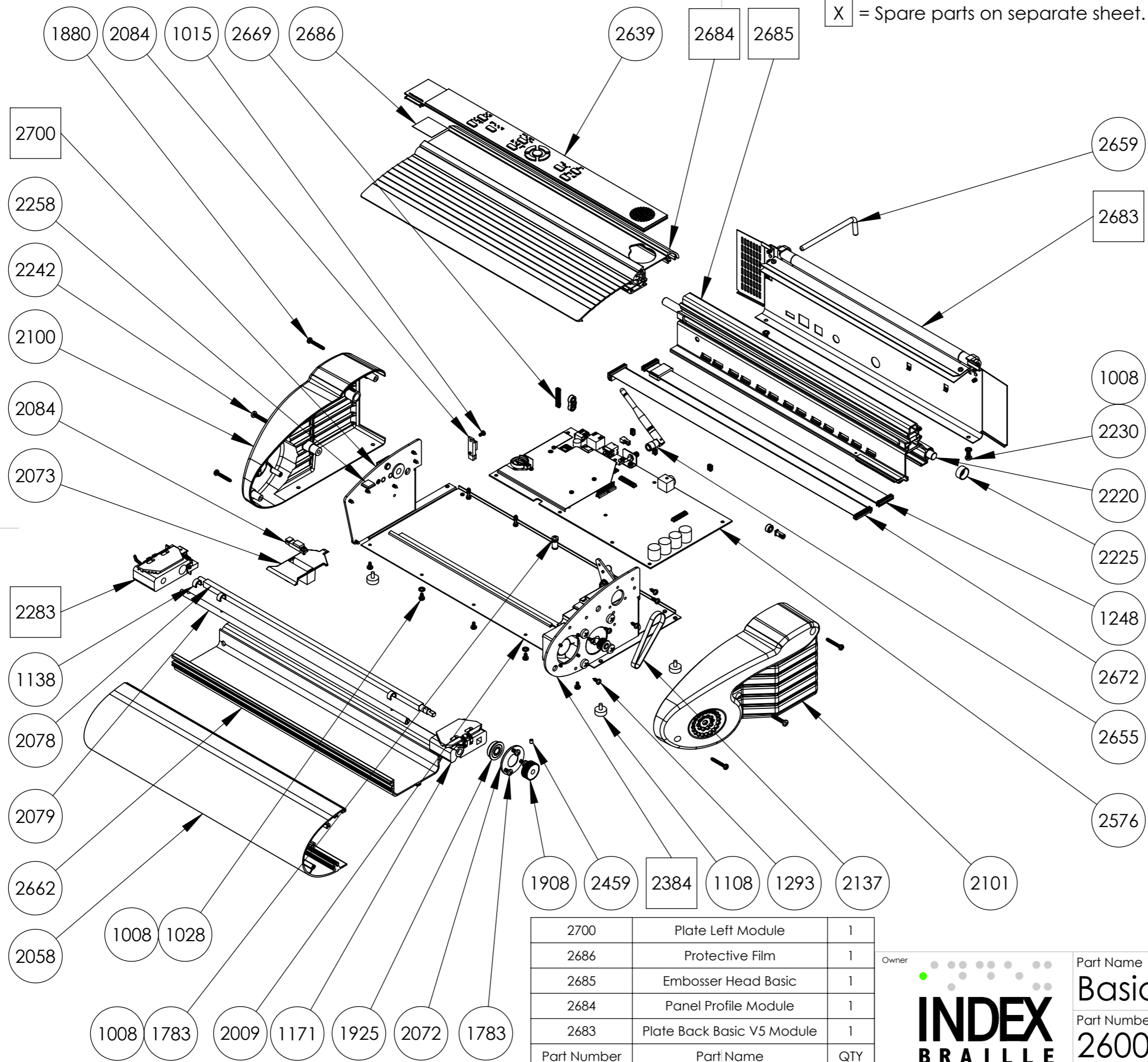


This document must not be copied without our written permission, and the contents thereof must not be imparted to a third party nor be used for any unauthorized purpose. Contravention will be prosecuted.

X = Spare parts on separate sheet.



2672	Connection Cable 1365A/Panel	1
2669	Cable Harness Basic V5	1
2662	Profile Tractor	1
2659	Transport Locking	1
2655	WiFi Antenna	1
2639	Control Panel Basic V5	1
2576	Module 1365-A Main Board PCB V5	1
2459	Hexagon Socket Set Screw DIN916 M4x5	1
2384	Plate Right Motor Module	1
2283	Tractor Left Sensor Side	1
2258	Feet Small Square Black	2
2242	Screw MRX M4x22 fzb	2
2230	Screw MRX M4x8 sv	2
2225	Locking Ring	1
2220	Axle 10x488	1
2137	Timing Belt	1
2101	Casing Right Fan	1
2100	Casing Left Speaker	1
2084	Paper Sensor	2
2079	Axle 8mm	1
2078	Axle 8x8 mm square	1
2073	Arrow Paper Sensor	1
2072	Ball Bearing Cover	1
2058	Profile front	1
2009	Plate Bottom	1
1925	Ballbearing F608-ZZ	1
1908	Pulley 36 step	1
1880	Screw RXK ST3,5x25 fzb	4
1783	Screw MRX M4x6 fzb	4
1293	Screw RXS 3,5x9,5-fzb	12
1248	Cable Embosser Head	1
1171	Tractor Right	1
1138	Position clips	3
1108	Feet rubber with screw M4	4
1028	Screw RXK ST3,5x6,5 fzb black	6
1015	Screw MRX M3x6 fzb black	1
1008	Lock Washer AZ4,3 fzb	5
Part Number	Part Name	QTY

2700	Plate Left Module	1
2686	Protective Film	1
2685	Embosser Head Basic	1
2684	Panel Profile Module	1
2683	Plate Back Basic V5 Module	1
Part Number	Part Name	QTY



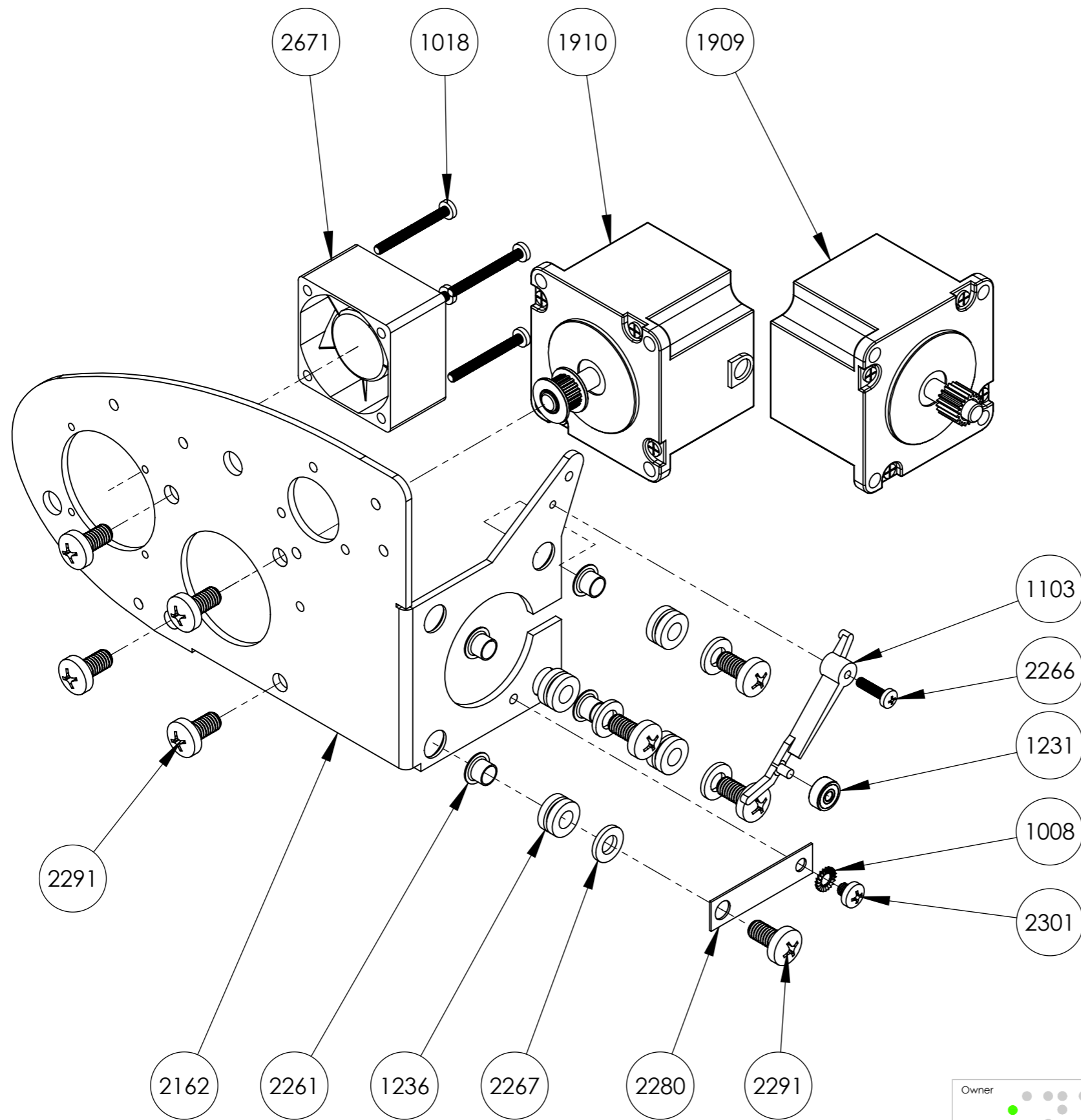
Owner:

Part Name: **Basic-D V5**

Part Number: **2600**

Drawn by: Mattias	Approved by: Janne	Format: A3	Scale: 1:1
Date: 2017-04-04	Revision: -	Sheet: 1/1	

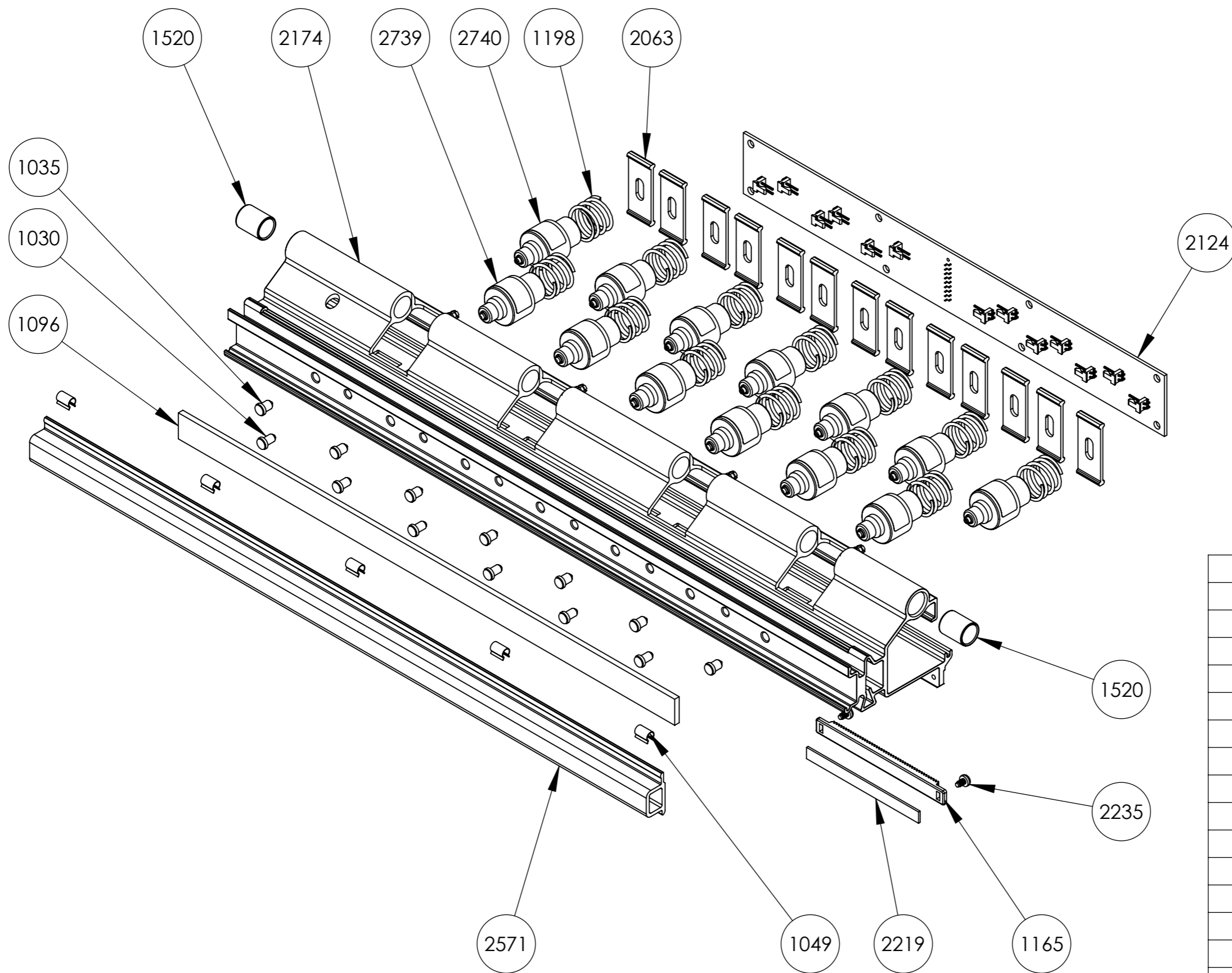
This document must not be copied without our written permission, and the contents thereof must not be imparted to a third party nor be used for any unauthorized purpose. Contravention will be prosecuted.



2671	Fan 40x40x24	1
2301	Screw MRX M4x4 fzb	1
2291	Screw MRX M6x12 fzb	8
2280	Grounding Plate Motor	1
2267	Washer BRB HB200 6,4x12x1,6 fzb	4
2266	Screw MRX M3x12 fzb	1
2261	Flange Pipe 7x0,45x5 P H10	4
2162	Plate Right Motor	1
1910	Stepper Motor Paper	1
1909	Stepper Motor Head	1
1236	Rubber damper	4
1231	Ball Bearing 623-ZZ	1
1103	Spring Stretcher	1
1018	Screw MRX M3x30 fzb	4
1008	Lock Washer AZ4,3 fzb	1
Part Number	Part Name	QTY



Owner	Part Name			
	Plate Right Motor Module			
Part Number	Drawn by	Approved by	Format	Scale
2384	Mattias	Janne	A3	1:5
Date	Revision		Sheet	
2016-09-06	-		1/1	



2740	Hammer Negative	7
2739	Hammer Positiv	6
2571	Profile Anvil Support	1
2235	Screw RXK ST2,9x4,5 fzb	2
2219	Embosser Head Plastic	1
2174	Profile Hammer Basic	1
2124	Bord Embossing Head PCB V4	1
2063	Profile Hammer Lid	13
1520	Slide Bearing	2
1198	Spring for hammer	13
1165	Gear bar, embosser head	1
1096	Rubber damper	1
1049	Holder clips Embosser Head	5
1035	Anvil Positive	7
1030	Anvil Negative	6
Part Number	Part Name	QTY

This document must not be copied without our written permission, and the contents thereof must not be imparted to a third party nor be used for any unauthorized purpose. Contravention will be prosecuted.



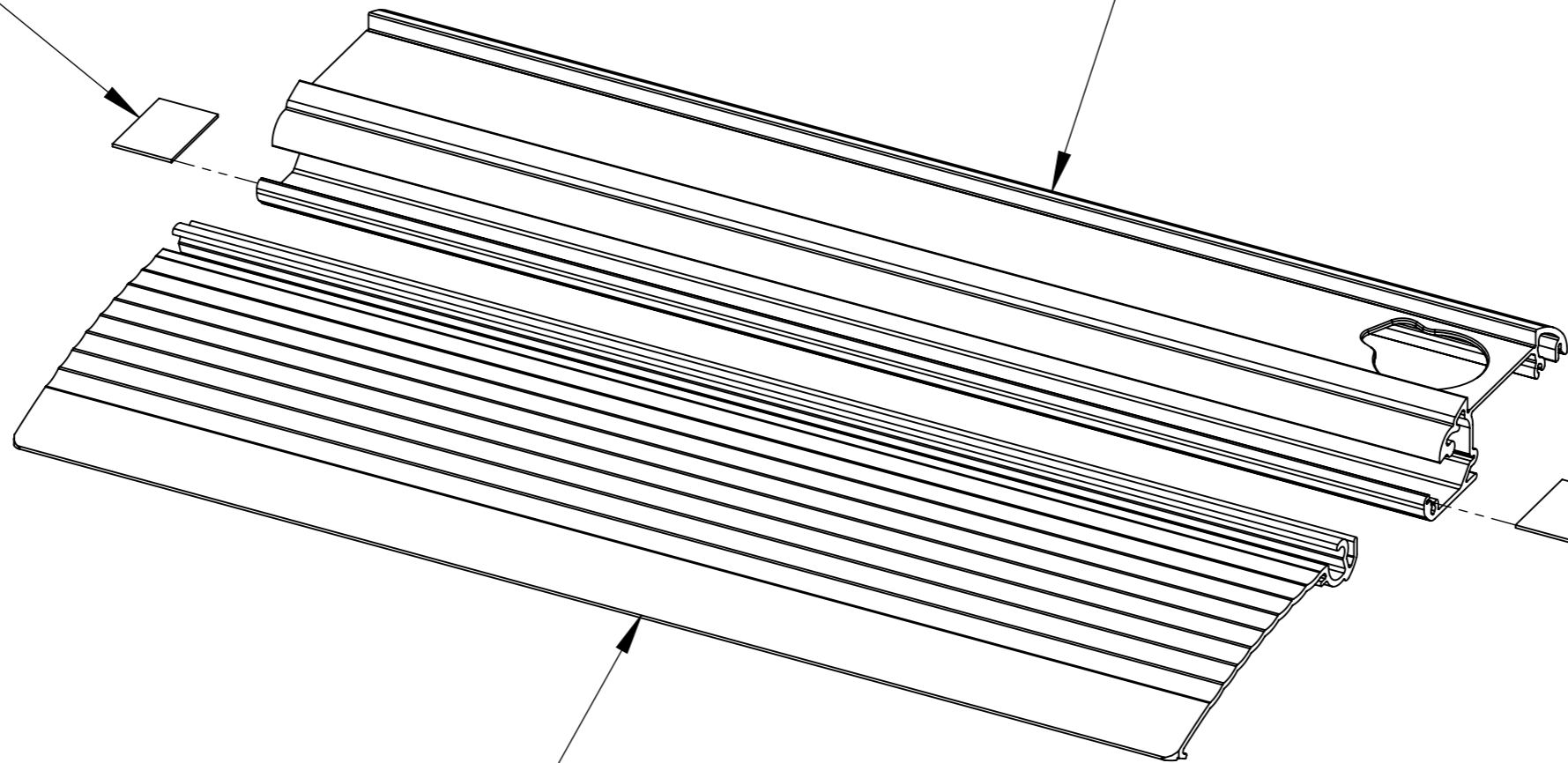
Owner	Part Name			
	Embosser Head Basic			
	Part Number	Drawn by	Approved by	Format
	2685	Mattias	Janne	A3
		Date	Revision	Scale
		2017-04-04	-	1:1
			Sheet	
			1/1	

1102

2613

1102

2099



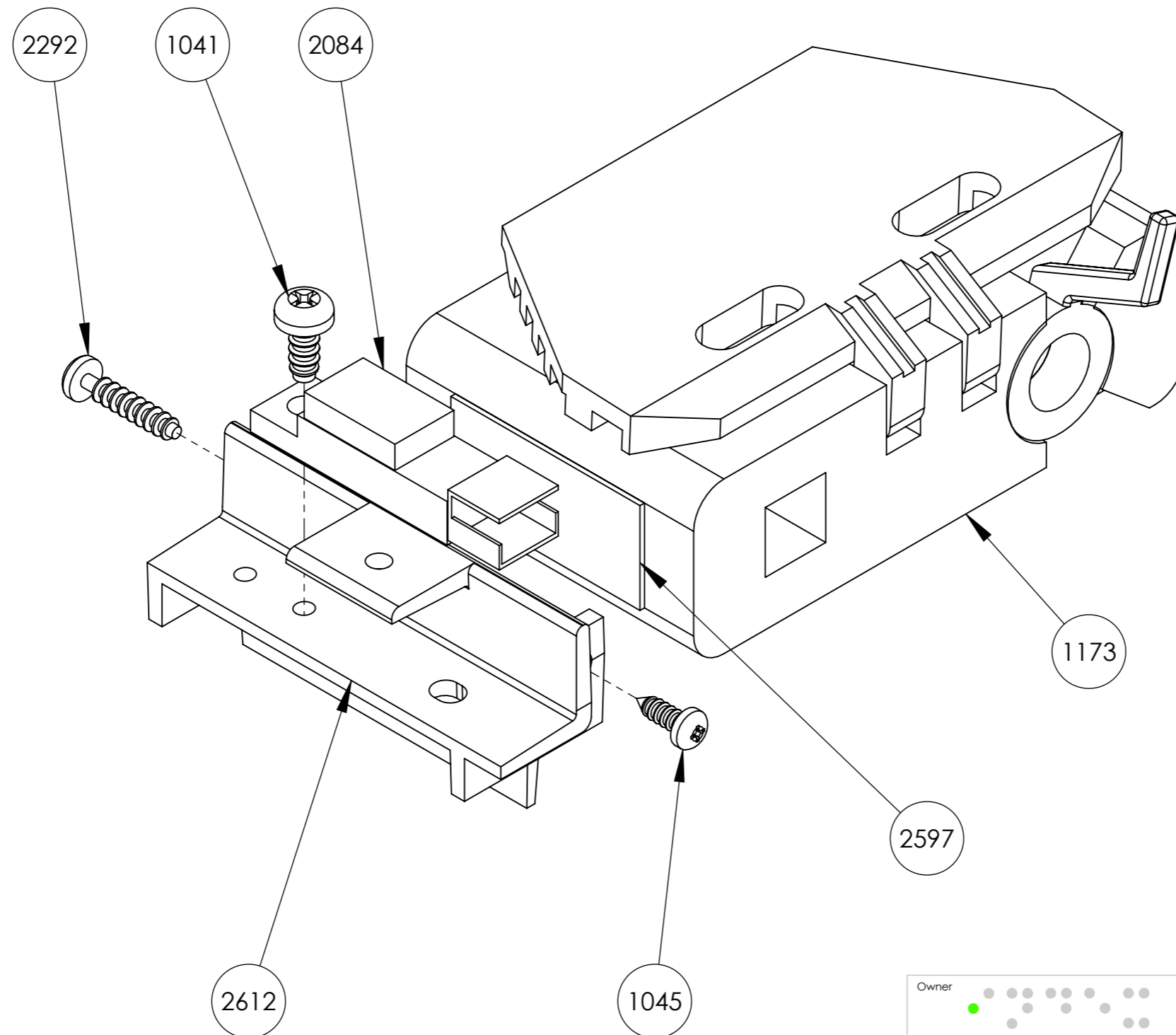
2613	Profile Panel	1
2099	Lid Black	1
1102	Spring led red	2
Part Number	Part Name	QTY

This document must not be copied without our written permission, and the contents thereof must not be imparted to a third party nor be used for any unauthorized purpose. Contravention will be prosecuted.

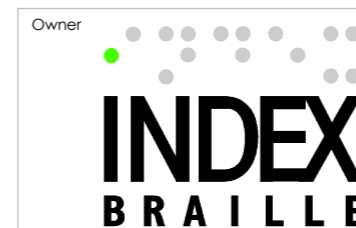


Owner		Part Name		Scale							
		Panel Profile Module		1:1							
		Part Number	2684	Drawn by	Mattias	Approved by	Janne	Format	A3	Revision	-
		Date	2016-09-06								

This document must not be copied without our written permission, and the contents thereof must not be imparted to a third party nor be used for any unauthorized purpose. Contravention will be prosecuted.



2597	Tape Attachment Pad	1
2292	Screw WN 1412 2,5x12 fzb	1
2612	Bracket Papersensor	1
2084	Paper Sensor	1
1173	Tractor Left Switch Side	1
1045	Screw RXS ST2,2x6,5 fzb	1
1041	Screw RXK ST2,9x6,5-fzb	1
Part Number	Part Name	QTY



Owner Part Name
Tractor Left Sensor Side

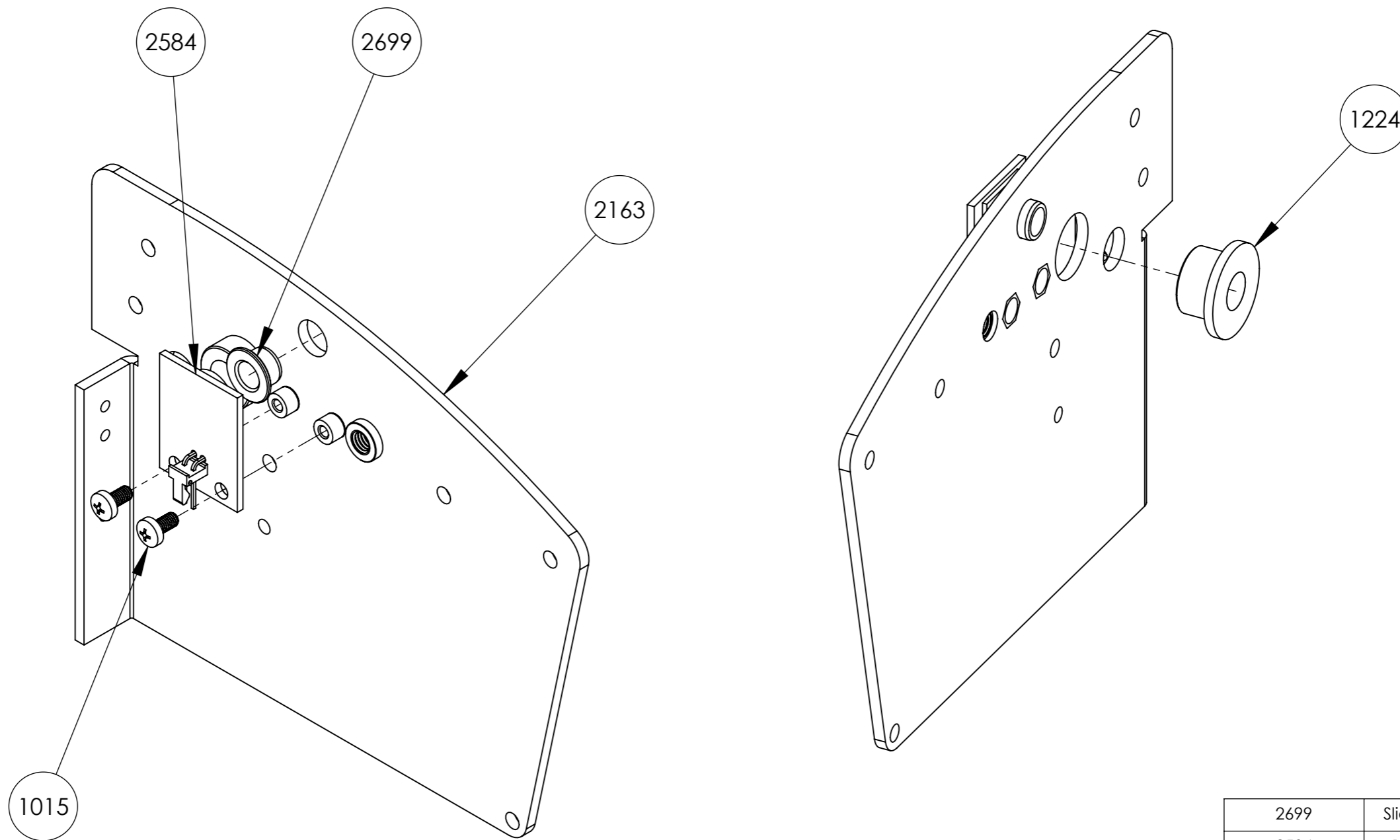
Part Number
2283

Drawn by
Mattias
 Date
 2016-09-06

Approved by
Janne

Format **A3** Scale **1:1**
 Revision **-** Sheet **1/1**

This document must not be copied without our written permission, and the contents thereof must not be imparted to a third party nor be used for any unauthorized purpose. Contravention will be prosecuted.



2699	Sliding Bearing 6x8x12 D=6	1
2584	Braille Box Lamp PCB V5	1
2163	Plate left	1
1224	Holder bearing gliding tractor	1
1015	Screw MRX M3x6 fzb black	2
Part Number	Part Name	QTY



Owner
 Part Name
Plate Left Module

Part Number
2700

Drawn by
Mattias
 Date
2016-09-06

Approved by
Janne



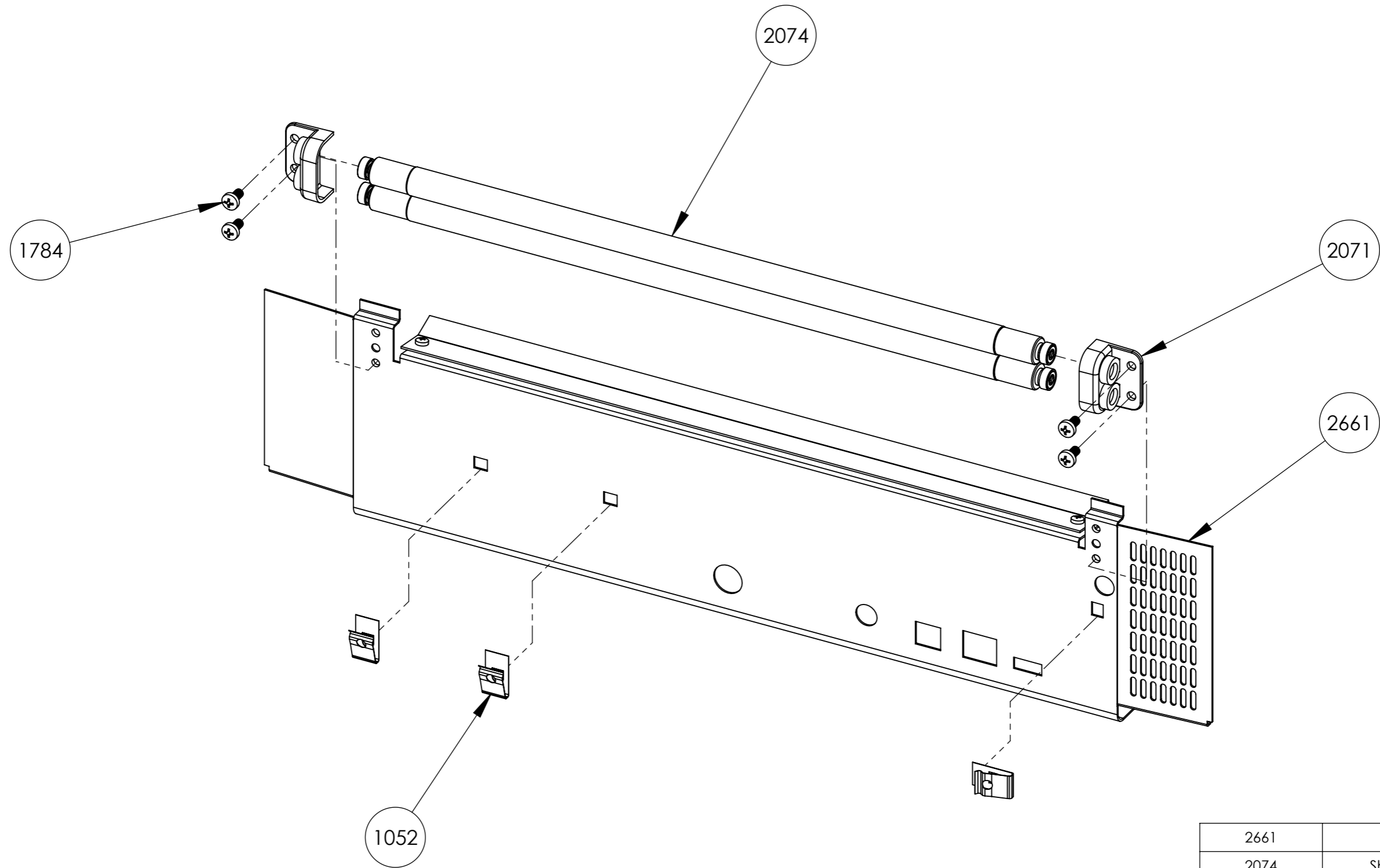
Format
A3

Revision
 -

Scale
1:1

Sheet
1/1

This document must not be copied without our written permission, and the contents thereof must not be imparted to a third party nor be used for any unauthorized purpose. Contravention will be prosecuted.



2661	Back Plate V5	1
2074	Shaft with Rubber	2
2071	Roller Attachment Back Plate	2
1784	Screw MRX M4x8 fzb	4
1052	Holder Cips Transportlocking	3
Part Number	Part Name	QTY



Owner	Part Name								
	Plate Back Basic V5 Module								
Part Number	2683	Drawn by	Mattias	Approved by	Janne	Format	A3	Scale	1:1
Date	2016-09-06	Revision	-	Sheet	1/1				