

# Index V5 Braille Printer Manual



February 2020



## Contents

<b>1. Safety information</b>	<b>1</b>
1.1 Approvals	1
<b>2. Index V5 printer overview</b>	<b>3</b>
2.1 Backlit text on all models	3
2.2 Basic-D	3
2.2.1 LED feedback Basic-D	4
2.3 Everest-D	5
2.3.1 LED feedback Everest-D	6
2.4 BrailleBox	7
2.4.1 LED feedback BrailleBox	8
2.4.2 Electrical connectors BrailleBox	8
2.5 FanFold-D	9
2.5.1 LED feedback FanFold	9
2.5.2 Electrical connectors FanFold	10
2.5.3 Wheel montage FanFold	10
<b>3. Installation</b>	<b>10</b>
3.1 Getting started	10
3.1.1 Unpacking of the printer	10
3.1.2 Speech feedback	11
3.1.3 Firmware upgrade	12
3.2 Index Braille Printer Driver	13
3.2.1 Install to USB port	13
3.2.2 Network connection	14
3.2.2.1 Wired IP network setup	14
3.2.2.2 Wizard for static IP address	14
3.2.2.3 Wi-Fi network setup	14
3.2.2.4 Reservation of IP address on a DHCP Router	14
3.3 Printing braille	15
3.3.1 Braille App	15
3.3.1.1 Getting started	16
3.3.1.2 Braille layout	16
3.3.1.3 Supported file formats	17
3.3.1.4 Browse, preview, edit and print Braille	18
3.3.1.5 Formatting roles	19
3.3.1.6 View, edit and select braille layout	20
3.3.1.7 Communication setup	21
3.3.1.8 Monitor icons on BrailleApp	21
3.3.1.9 Info page	22
3.3.2 Index-direct-Braille (idB)	23
3.3.2.1 Printing from USB Memory stick	23
3.3.2.2 Emboss with idB in Windows	24
3.3.2.3 Emboss with idB in Mac	24

---

3.3.2.4 Emboss with idB in Linux.....	24
3.3.3 External braille editor.....	24
<b>4. Control panel</b>	<b>24</b>
4.1 Menu summary.....	24
4.1.1 V5 menu.....	24
4.1.2 Key functions.....	25
4.1.3 Multiple layouts to customize.....	27
4.1.4 Menu option V5 .....	27
4.2 Wizards.....	31
4.2.1 Standard layout wizard.....	31
4.2.2 Advanced layout wizard.....	33
4.2.3 User defined paper wizard.....	34
4.2.4 User service wizards.....	34
4.2.4.1 Adjust paper out offset wizard.....	35
4.2.4.2 Paper step-length calibration, FanFold.....	35
4.2.4.3 Paper step-length calibration, EV/BB.....	36
4.2.4.4 Distance from sensor to paper edge.....	36

# 1 Safety information

- Securely place the printer on a stable surface.
- Keep the ventilation inlets and outlets of the braille printer free.
- Connect the braille printer to a grounded power outlet only.
- **Warning:** This is a class A product. In a domestic environment this product may cause radio-interference in which case the user may be required to take adequate measures.
- **Warning:** The user is recommended to use ear protection or an Acoustic Hood to reduce the sound pressure. Long-time exposure without protection can lead to hearing loss.

## 1.1 Approvals

### FCC Compliance

This device contains FCC ID: PVH0953

This equipment has been tested and found to comply with the limits for a Class B digital device, pursuant to Part 15 of the FCC Rules. These limits are designed to provide reasonable protection against harmful interference in a residential installation. This equipment generates, uses and can radiate radio frequency energy and, if not installed and used in accordance with the instructions, may cause harmful interference to radio communications. However, there is no guarantee that interference will not occur in a particular installation. If this equipment does cause harmful interference to radio or television reception, which can be determined by turning the equipment off and on, the user is encouraged to try to correct the interference by one or more of the following measures:

- Reorient or relocate the receiving antenna
- Increase the separation between equipment and receiver
- Connect the equipment into an outlet on a circuit different from that to which the receiver is connected

Consult the dealer or an experienced radio/TV technician for help.

### IC compliance

This device contains IC: 5325-0953

This device complies with Industry Canada license-exempt RSS standard(s).

Operation is subject to the following two conditions:

this device may not cause interference, and this device must accept any interference, including interference that may cause undesired operation of the device. Under Industry Canada regulations, this radio transmitter may only operate using an antenna of a type and maximum (or lesser) gain approved for the transmitter by Industry Canada. To reduce potential radio interference to other users, the antenna type and its gain should be so chosen that the equivalent isotropically radiated power (e.i.r.p.) is not more than that necessary for successful communication. The device for operation in the band 5150-5250 MHz is only for indoor use to reduce the potential for harmful interference to co-channel mobile satellite systems; the maximum antenna gain permitted for devices in the bands 5250-5350 MHz and 5470-5725 MHz shall comply with the e.i.r.p. limit; and the maximum antenna gain permitted for devices in the band 5725-5825 MHz shall comply with the e.i.r.p. limits

#### Conformité aux normes d'IC

Cet appareil est conforme à la(aux) norme(s) RSS sans licence d'Industry Canada.

Son utilisation est soumise aux deux conditions suivantes :

Cet appareil ne doit pas causer d'interférences et il doit accepter toutes interférences reçues, y compris celles susceptibles d'avoir des effets indésirables sur son fonctionnement. Conformément aux réglementations d'Industry Canada, cet émetteur radio ne peut fonctionner qu'à l'aide d'une antenne dont le type et le gain maximal (ou minimal) ont été approuvés pour cet émetteur par Industry Canada. Pour réduire le risque d'interférences avec d'autres utilisateurs, il faut choisir le type d'antenne et son gain de telle sorte que la puissance isotrope rayonnée équivalente (p.i.r.e) ne soit pas supérieure à celle requise pour obtenir une communication satisfaisante. Le dispositif de fonctionnement dans la bande 5150-5250 MHz est réservé à une utilisation en intérieur pour réduire le risque d'interférences nuisibles à la co-canal systèmes mobiles par satellite, le gain d'antenne maximal autorisé pour les appareils dans les bandes 5250-5350 MHz et 5470-5725 MHz doit se conformer à la pire limite, et le gain d'antenne maximal autorisé pour les appareils dans la bande 5725-5825 MHz doivent être conformes avec le pire limites spécifiées à point-à-ponctuelles et non point-à-point de fonctionnement selon qu'il convient. Opération dans la bande 5600-5650 MHz n'est pas autorisée au Canada. Haute puissance radars sont désignés comme utilisateurs principaux (c.-à-utilisateurs prioritaires) des bandes 5250-5350 MHz et 5650-5850 MHz et que ces radars pourraient causer des interférences et / ou des dommages à dispositifs LAN-EL. Cet équipement respecte les limites d'exposition aux rayonnements IC RSS-102 définies pour un environnement non contrôlé. Il doit être installé et utilisé en maintenant une distance minimum de 20 cm entre le radiateur et votre corps.

#### Bluetooth Qualification

This device contains Bluetooth module qualified as "Controller system" - QD ID 58171

#### Japan radio equipment compliance

The ODIN-W1 module complies with the Japanese Technical Regulation Conformity Certification of Specified Radio Equipment (ordinance of MPT N°. 37, 1981), Article 2, Paragraph 1:

- Item 19 "2.4 GHz band wide band low power data communication system"
- Item 19-3 "Low power data communications system in the 5.2/5.3 GHz band"
- Item 19-3-2 "Low power data communications system in the 5.6 GHz band"

The ODIN-W1 MIC certification number is 204-510008.

The ODIN-W1 module is restricted on the Japanese market to be used indoors only, if operating in the 5.2/5.3 GHz band.

LVD Low Voltage Directive

This device shall be connected to a close and easily accessible grounded outlet.

## 2 Index V5 printer overview

**Speech feedback** refers to the echo in the printer.

### 2.1 Backlit text on all models

**Bluetooth, Wi-Fi, Network:** Flickers when available, and lights up when connected.

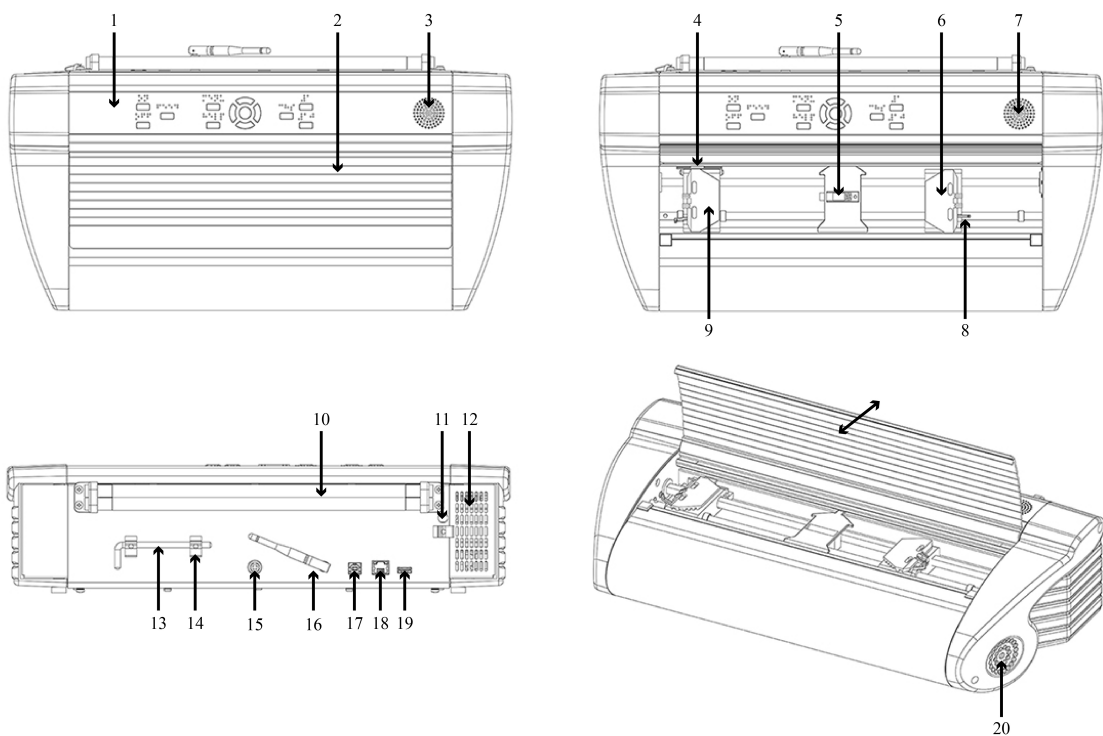
**idB:** Flickers during translation, and lights up during printing with idB.

**UPDATE:** Require a network connection. Activated when the printer is connected to a network with internet access. It lights up when an update is available and flickers during a firmware upgrade.

**PAPER JAM:** Lights up when there is a paper jam.

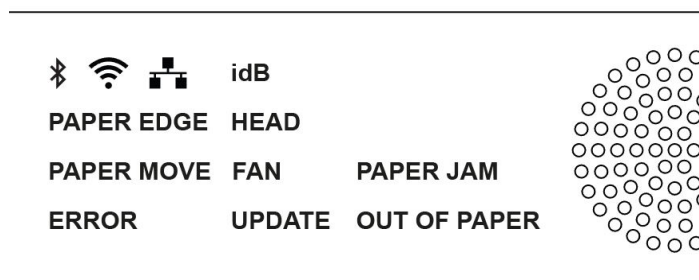
**ERROR:** Lights up when there is an error. Press HELP for more information.

### 2.2 Basic-D



- |                                  |                                 |
|----------------------------------|---------------------------------|
| 1. Control panel                 | 10. Paper rollers               |
| 2. Lid                           | 11. Hole for transport lock     |
| 3&7. Speaker                     | 12. Ventilation inlet           |
| 4. Optical paper movement sensor | 13. Transport lock              |
| 5. Optical paper edge sensor     | 14. Transport lock holder       |
| 6. Right tractor                 | 15. Power input 48V DC          |
| 8. Tractor release lever         | 16. Wi-Fi and Bluetooth antenna |
| 9. Left tractor                  | 17. USB 2.0 device port         |
|                                  | 18. Network port (100 MB)       |
|                                  | 19. USB host port               |
|                                  | 20. Ventilation outlet          |

### 2.2.1 LED feedback Basic-D



**PAPER MOVE:** Flickers when paper is moving.

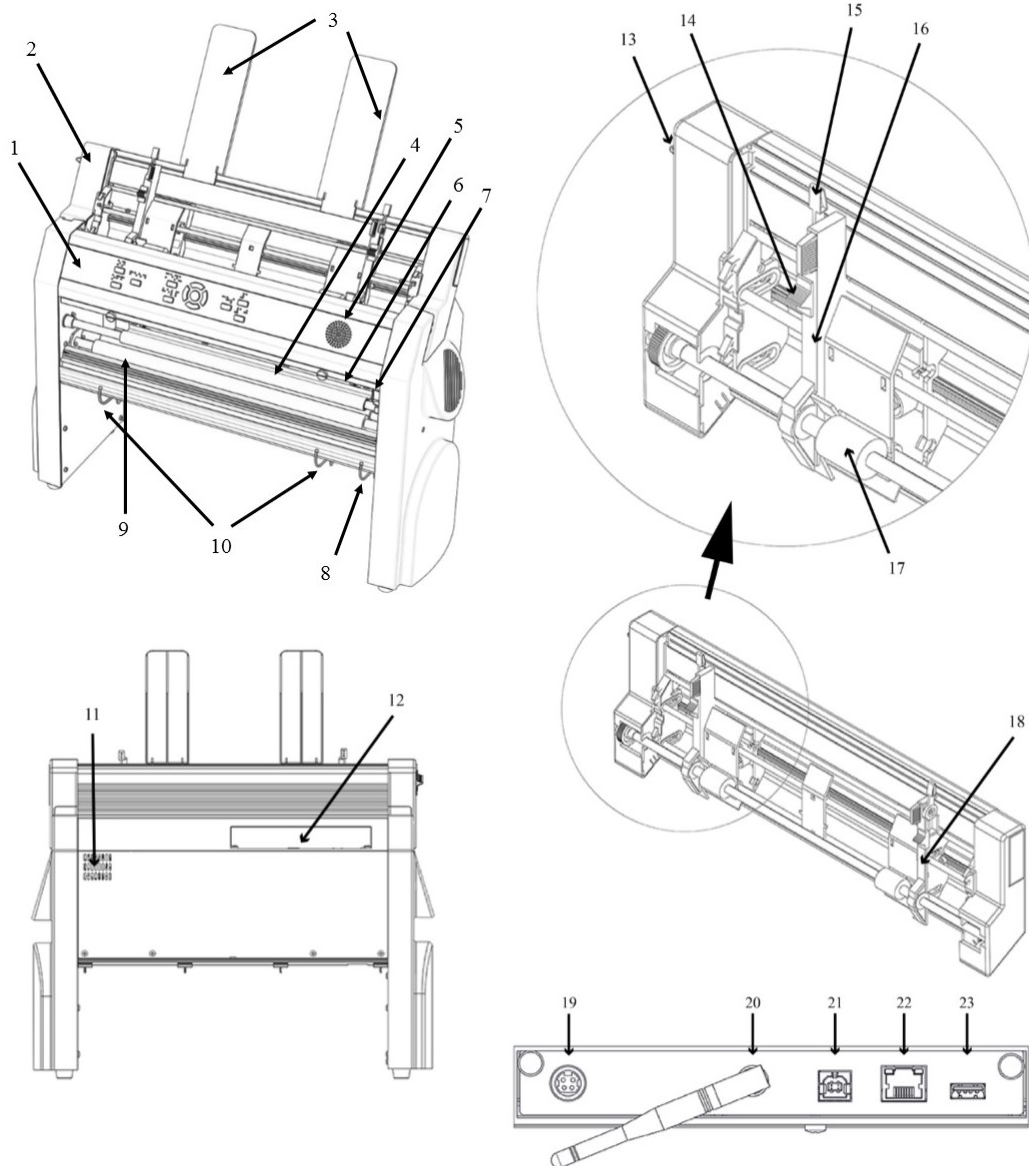
**PAPER EDGE:** Lights up when paper is in front of the paper edge sensor.

**HEAD:** Lights up when the print head is in the home position.

**FAN:** Lights up when the fan is on.

**OUT OF PAPER:** Lights up when there is no paper in the paper tractor.

## 2.3 Everest-D




- |   |   |
|---|---|
| 1. Control panel                                      | 11. Ventilation outlet                            |
| 2. Sheet feeder                                       | 12. Electrical connectors (19-23)                 |
| 3. Paper guides                                       | 13. Switch to close/open the sheet feeder         |
| 4. Embossing head                                     | 14. Card/sheet selectors (right/left)             |
| 5. Speaker  | 15. Locking levers for margin guides (right/left) |
| 6. Optical paper edge sensor                          | 16. Left margin guide                             |
| 7. Optical embossing head reference position sensor   | 17. Pick-up rollers                               |
| 8. Outer guides for adjusting paper out profile angle | 18. Right margin guide                            |
|   | 19. Power input 48V DC                            |



- |  |                                 |
|--|---------------------------------|
| 9. Paper movement rollers                        | 20. Wi-Fi and Bluetooth antenna |
| 10. Inner guides to stabilize paper out ejection | 21. USB 2.0 device port         |
|  | 22. Network port (100 MB)       |
|  | 23. USB host port               |

### 2.3.1 LED feedback Everest-D

---

			idB
<b>PAPER IN</b>	<b>HEAD</b>		
<b>FEED</b>	<b>FAN</b>	<b>PAPER JAM</b>	
<b>ERROR</b>	<b>UPDATE</b>	<b>OUT OF PAPER</b>	

---



**PAPER IN:** Lights up when paper is in front of the paper edge sensor.

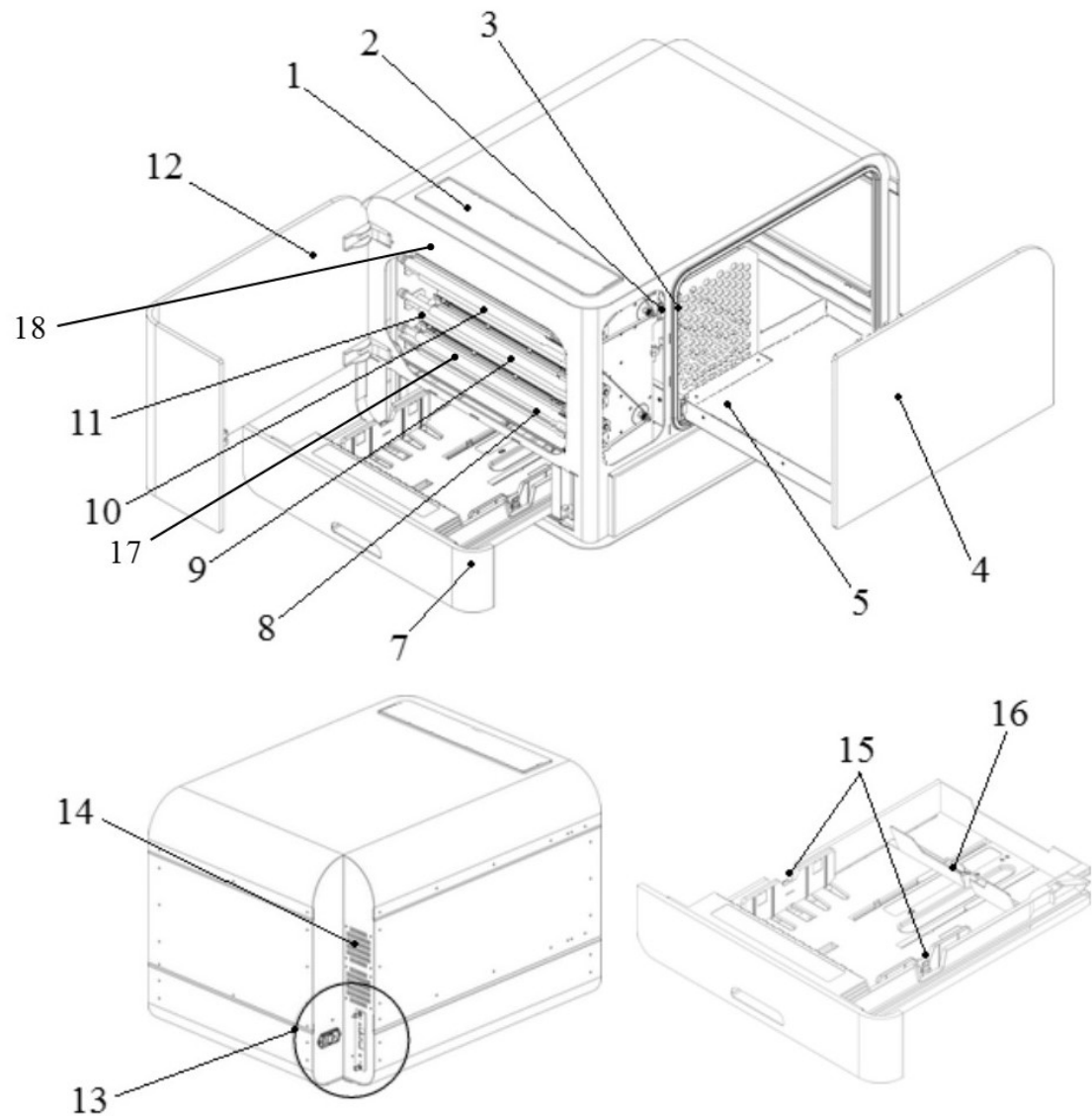
**FEED:** Lights up when paper motor is on.

**HEAD:** Lights up when the print head is in the home position.

**FAN:** Lights up when the fan is on.




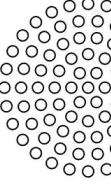
**OUT OF PAPER:** Lights up when the paper tray is empty.

## 2.4 BrailleBox



- |                                    |                           |
|------------------------------------|---------------------------|
| 1. Control panel                   | 9. Middle embossing 2     |
| 2. Optical sensor for service door | 10. Top embossing 3       |
| 3. Optical sensor for braille tray | 11. Paper rollers         |
| 4. Braille tray                    | 12. Service door          |
| 5. Braille stack guide             | 13. Electrical connectors |
| 7. Paper tray                      | 14. Ventilation           |
| 8. Bottom embossing 1              | 15. Paper guides          |
|                                    | 16. Rear paper stop lever |
|                                    | 17. Paper-in sensor       |
|                                    | 18. Paper-out sensor      |

## 2.4.1 LED feedback BrailleBox

  	idB	
PAPER IN	PAPER TRAY	
PAPER OUT	BRaille TRAY	
OUT OF PAPER	SERVICE DOOR	
BRaille STACK	PAPER JAM	
ERROR	UPDATE	

**PAPER IN:** Lights up when paper has begun feeding and reaching the paper-in sensor.

**PAPER OUT:** Lights up when paper reaches the paper-out sensor.

**OUT OF PAPER:** Lights up when the paper tray is empty.

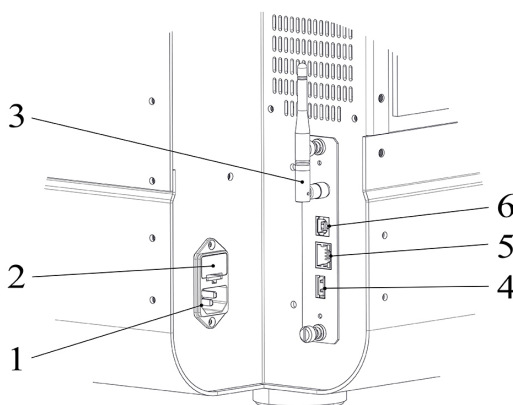
**BRaille STACK:** Lights up when the braille stack is too high.

**PAPER TRAY:** Lights up when the paper tray is open.

**BRaille TRAY:** Lights up when the braille tray is open.

**SERVICE DOOR:** Lights up when the front service door is open.

## 2.4.2 Electrical connectors BrailleBox



1. Power input 100-240V, 50-60 HZ, grounded outlet

2. Fuse 6,3 A/250V slow blow

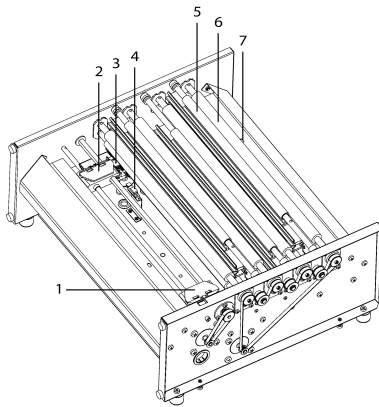
3. Wi-Fi and Bluetooth antenna

4. USB host port

5. Network port (100 MB)

6. USB 2.0 device port




## 2.5 FanFold-D

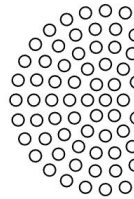


1.

1. Embossing head 1
2. Embossing head 2
3. Embossing head 3
4. Right paper tractor
5. Left paper tractor
6. Paper move sensor
7. Paper edge sensor
8. Soft paper movement rollers (4 pairs)
9. Paper out sensor

### 2.5.1 LED feedback FanFold

  	idB
FAN	PAPER EDGE
LID OPEN	PAPER MOVE
OUT OF PAPER	PAPER OUT
EMPTY BRAILLE	PAPER JAM
ERROR	UPDATE



**PAPER EDGE:** Lights up when paper has begun feeding and reaching the paper-in sensor.

**PAPER MOVE:** Flickers when paper is moving.

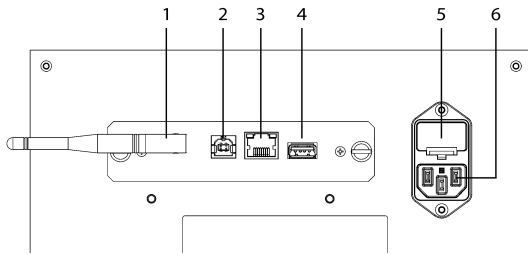
**PAPER OUT:** Lights up paper cover the paper out sensor.

**FAN:** Lights up when the fan is on.

**LID OPEN:** Lights up when the top glass lid is open.

**EMPTY BRAILLE:** Lights up when when it is time to empty the braille stack.

## 2.5.2 Electrical connectors FanFold



1. Wi-Fi and Bluetooth antenna
2. USB 2.0 device port
3. Network port (100 MB)
4. USB host port
5. Fuse 6,3 A/250V slow blow
6. Power input 100-240V, 50-60 HZ, grounded outlet

## 2.5.3 Wheel montage FanFold

1. Remove the upper packing material.
2. Rotate the FanFold so the first corner is outside of the bottom packing material. Montage the first wheel with the bolts from bottom and upwards. The bolts and wrench are included inside the printer.
3. Repeat step 2 for wheel two and three.
4. Move the bottom packing material outside of the FanFold-D except one corner supporting close to the position of last wheel. Montage the last wheel and remove the bottom packing material.

[Link to video FanFold-D Getting Started](#)

# 3 Installation

## 3.1 Getting started

### 3.1.1 Unpacking of the printer

Unpack the printer gently and check all items. **Keep the packing material and transport locks.** The four (4) year warranty on parts remains valid only if the printer is transported in original packaging, and the transport locks are properly in place.

**The following items are included in shipment:**

- Braille printer
- User manual

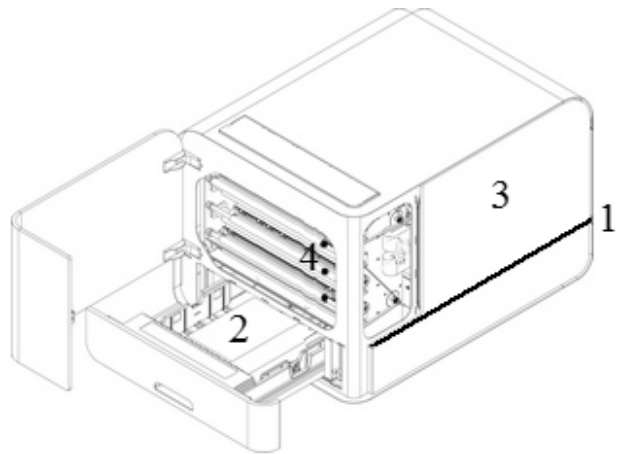
- Power cord
- Index USB memory stick
- USB cord
- USB extension cord for USB memory stick
- External power supply for Basic-D and Everest-D.
- Transport locks

### First time starting up

- Remove the accessory kit box from the packing.
- Montage the wheels on FanFold-D
- Connect the power cord and press ON to power on the printer without connecting the USB cord.
- The *Wizard to remove transport locking* will start automatically.
- Follow the wizard steps. When completed, the printer will restart and is ready to be used.

### BrailleBox picture

1. Rubber seal
2. Accessories kit box
3. Braille tray glass
4. Print head transport locks



### 3.1.2 Speech feedback

The speech feedback is set to English (factory delivery).

Following languages are available in Acapela synthetic speech:

Arabic, Czech, Danish, Dutch, English (Indian), English (UK), English (US), Finnish, French, German, Italian, Japanese, Korean, Mandarin, Norwegian, Portuguese (Brazil), Portuguese (Portugal), Russian, Spanish, Spanish (Latino), Polish, Swedish and Turkish.

Above languages is available as the local user interface when corresponding language specific translation file is generated and embedded in the embosser firmware.

### 3.1.3 Firmware upgrade

An Index printer can be upgraded to latest firmware free of charge. It is highly recommended to upgrade the firmware when installing a new Index V5 printer. The upgrade includes bug fixes and new or improved functionality. Please find detailed information at [Latest V5 Firmware](#).

#### Upgrade via Internet connection

When the V5 printer is connected to internet, it checks for an update automatically. The UPDATE text lights up indicates that new update is available.

Start upgrade by selecting:

MENU / User service / Firmware upgrade / Firmware upgrade from internet / OK to start.

#### Upgrade via USB memory stick

- Download the latest V5 firmware on [Index Braille Support / Download V5 firmware](#). File name example: **Embosser-update-YYYY-MM-DD.zip**.
- Save the V5 firmware file to a USB memory stick.
- Insert the USB memory stick into the V5 printer.
- Start the upgrade by pressing:  
MENU / User service / Firmware upgrade / Firmware upgrade from USB memory stick / OK to start.

The UPDATE text lights up during the upgrade process. The speech feedback is activated. **Do not power off the printer during an upgrade**. The upgrade process may take 5-15 minutes and is completed when the printer restarts automatically.

## 3.2 Index Braille Printer Driver

Index software and printer drivers for Index Braille printers may be installed from the USB memory stick, included in the shipment or by downloading them from [link to Index printer drivers](#).

### 3.2.1 Install to USB port

All Index printers require the Index Braille Printer Driver to function properly on a USB port.

**Install the Index Braille printer driver in your computer before connecting the printer to the USB device port.**

To find the current version of the Index Braille printer driver for your printer, access the control panel in your computer by selecting:

- Control Panel / Uninstall a program / Index Braille Driver.
- The current version number is shown on the right hand column, listed under versions.

### Windows

To install Index printer driver 8.3. or higher, suitable for Windows XP, Vista, Win 7, Win 8, Win 10, follow these steps:

1. Close all applications on your PC.
2. Download [Index Printer Driver 8.3 or higher](#).
3. Right click the driver installation file and select "Run as administrator" and follow the installation wizard.
4. Connect the supplied USB cord.
5. Turn on the printer.
6. For Windows Vista and later versions, the Plug & Play Found new hardware wizard will complete the USB installation.

[Link to install Index Printer driver on Mac OS X](#)

[Link to install Index Printer driver on Linux \(Debian/Ubuntu\)](#)



### 3.2.2 Network connection

The lighted network icon on the control panel lights up when a network connection is established.

The MAC address of your V5 Index printer is available on the "network information page" printout and in the BrailleApp/ Communication/ Wired Network or WiFi/ Hardware Address.

#### 3.2.2.1 Wired IP network setup

##### First step to connect to a wired network

Plug in the network cord to a Local Area Network (LAN) with DHCP support.

- The wired network icon flickers when establishing a network connection.
- The network icon lights up when the network connection is established.
- Speech feedback "Wired network connected, IP address is XXX.YYY.ZZ.WW"

#### 3.2.2.2 Wizard for static IP address

MENU / Communication / Wizard for wired network / OK.

[Link to Connect Index V5 to wired network](#)

#### 3.2.2.3 Wi-Fi network setup

There are alternative ways to setup Wi-Fi network IP connection:

- Set up IP with the Web-App (Recommended)
- Set up IP with Wi-Fi setup file
- Set up with WPS (Wi-Fi Protected Setup - WPS button on the router)
- Set up Wi-Fi network from control panel

Once the Wi-Fi or wired network has been connected, the printer will remember the network name (SSID) and password.

#### 3.2.2.4 Reservation of IP address on a DHCP Router

The best way to reserve a permanent IP address to a specific Index printer is via reservation of the MAC address of the printer to a specific IP address on the router. This is typically a task for the Network Administrator. For detailed information, **search on the internet for "Reservation of IP address on DHCP + (Your router name)".**

### 3.3 Printing braille

**Index-direct-Braille (idB)** is a direct printing application in Index V5 to print standard documents (docx, doc, pdf, epub) in braille without using a traditional braille editor.

[Link to more information about idB](#)

#### **idB Characteristics:**

- Translates and formats the braille printout following the settings in the **active layout**.
- Text-to-braille translation (Liblouis tables) in literary or contracted braille (more than 140 languages)
- Formats the text into braille page size (lines/page, character/line, margins, braille page number, volume page number)
- Latest idB functions are automatically installed after upgrading the V5 embosser firmware. In January 2020 the text-to-braille translation files in Liblouis 3.12.0 are implemented.  
[Link to Liblouis open source community tables in Liblouis 3.12.0](#)
- idB supports multiple users in the network.
- idB is free of charge.

For braille mathematics, music, tactile graphics and complex documents a separate braille editor is required.

#### 3.3.1 Braille App

The **BrailleApp** is an embedded application to supporting braille printing (translate, view, edit, save into braille G1/G2), setup, monitor and remote support of the V5 braille printer. By using the BrailleApp it is not necessary to purchase a commercial braille editor.

#### **Requirements for using the BrailleApp**

- Index V5 printer (Basic-D, Everest-D, FanFold-D or BrailleBox)
- The printer must be connected to a network (IP-port, wired or WiFi)
- A device, (pc, pad, phone etc), connected to the same network
- A modern browser

#### **BrailleApp characteristics**

- The BrailleApp uses Liblouis text-to-braille translation open source platform, including more than 150 languages in computer, literary and contracted braille.
- The BrailleApp supports all major operation systems as Windows, iOS, Linux, Unix and Android.
- The BrailleApp is distributed via the embosser firmware. New versions will be available after upgrading the embosser firmware.
- The BrailleApp is free of charge, no license is required and several users can use the same printer.
- The BrailleApp includes remote support which enable on line service via internet.
- The user is guided by the app menu and information screens. No manual is needed.
- Screen reader support, tested on JAWS, NDVA and Voice over.

#### 3.3.1.1 Getting started

First connect your V5 printer to a wired network port (IP-port). When the network icon is lighted the network connection is established.

- Get the IP address of your V5 printer
  - HELP+10 in voice feedback
  - HELP+1 print network information page
- Open your favorite browser and type the printers IP address in the search window of the browser (For example <http://192.168.4.14>). This process is the same in Windows, iOS, Linux, Unix and Android.
- The BrailleApp home page is now presented.

[Link to web mocup of the BrailleApp](#)

#### 3.3.1.2 Braille layout

To view layouts and to select active layout go to BRAILLE LAYOUT.

The Braille Layout shows number of layouts, the parameter for each layout.

Functions in this menu:

- View layout, the active layout is presented with green background
- Set active layout, the selected layout is the one used by the printer
- Edit layout. This is a wizard where the same parameters as in advanced setup from the control panel is presented and each step can be edit.

- Add layout, adds a new layout with the lowest available number. The new layout gets the same values on parameters as active layout and is the new active layout.
- Delete layout, the selected layout will be deleted. It is not possible to delete the active layout.

Other menus in BRAILLE LAYOUT are:

- Backup and restore layouts
- User defined paper
- User defined tables

### 3.3.1.3 Supported file formats

The BrailleApp supports printing braille from standard files in **.doc .docx .pdf .epub**. These files are translated, formatted and page numbered, following the settings in Active layout.

The BrailleApp also supports the **.dxb** file format used by **Duxbury**. In this case the BrailleApp will open the **.dxb** file as a translated braille document. If the page layout (character per line, lines per page) is the same as in Duxbury, the braille view text is presented identical in the BrailleApp as in Duxbury. If the braille page layout differs, the user will get the choice to re-format the braille text layout in the BrailleApp.

Files that can open and send to the printer, but not previewed are:

- **.brf** (Braille file - prints with MIT Legacy braille table)
- **.ibe** - (Index Braille Files - command file for Index embossers)
- **.bra** (a file format used by ONCE braille editor)
- **.elpt** (Epics tactile graphic software)
- **.ebf** (Duxbury translated file - print with MIT Legacy braille table)

The BrailleApp can save the translated Braille document in **.ipf (Index Print Format)**. This file format can be opened again in preview window, re-edit and saved in the BrailleApp.

### 3.3.1.4 Browse, preview, edit and print Braille

When printing Braille with the BrailleApp the text will be translated and formatted following active layout. On the top of the Print menu, the active layout number or complete list of parameters are presented.

When printing a source file (.doc .docx .pdf .epub) the sequence is the same independent if the BrailleApp is used on a computer, phone, pad etc. The source file can be available from the computer, in the cloud or on a USB memory stick inserted to the V5 printer.

When printing with the BrailleApp the sequence follows the same pattern, regardless of the used device (computer, phone, pad etc.) or if the file is available in the computer or on the USB memory stick connected to the printer.

- Check that the settings in active layout is correct
- Browse to the file and select it.
- Press "Preview" to translate the text and preview the braille text.
  - Presentation in **Braille**.  
Edit braille with six-key-entry (f=1, d=2,s=3, j=4, k=5, l=6), with eight-dot-entry the a=7 and :=8 are added.
  - Presentation in **MIT Ascii**  
The text is presented in American character set and can be edit with a normal keyboard.  
[Link to more information about North American ASCII Braille Table.](#)
  - Presentation in **Text**  
The braille text by the back translation in the selected Liblouis table. It is not possible to edit in text presentation.

#### Edit the braille text

- Open the edit function by pressing on the "pen" icon in Braille (6 key entry) and MIT Ascii presentation (qwerty keyboard).
- If the Liblouis table is 6-dot braille editing is made in 6-key entry.
- If the Liblouis table is 8-dot braille editing is made in 8-key entry.
- Supported editing keys
  - 6 or 8-key entry in Braille mode
  - North American ASCII Braille table characters
  - Delete

- Backspace
- Arrow up/down/right/left
- Add page break with the "new page" icon (pen + page)

Save the translated braille file

- Save the translated braille file in .ipf (Index Print Format) with the "save" icon.

### **Print Braille**

First go to **Braille** presentation.

- Select number of copies
- Select range
- Press "Print"

#### **3.3.1.5 Formatting roles**

Rules when printing a docx file and **Maintaining formatting (docx)** is enabled

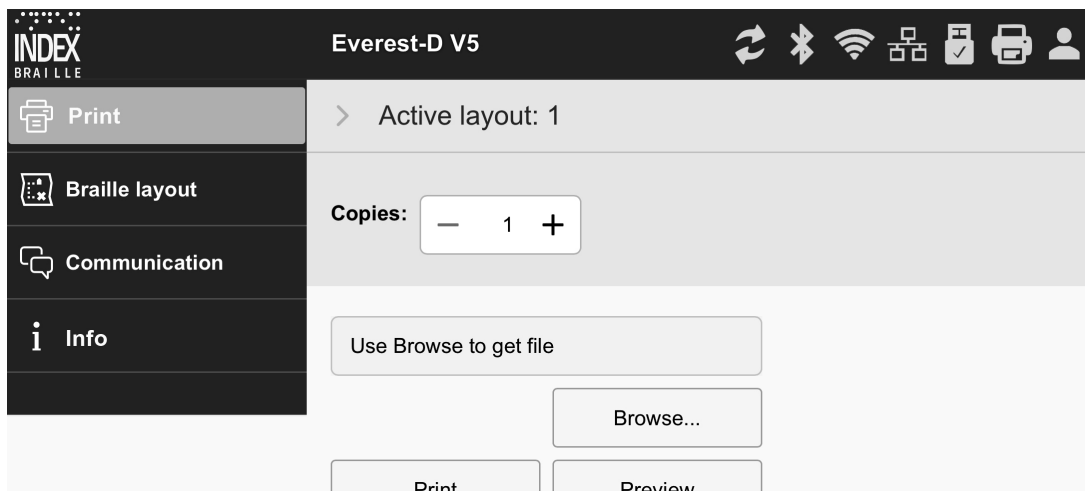
- Text within a paragraph is reformatted to fit the braille page
- Line breaks are maintained
- Spaces in beginning of a paragraph are maintained
- Page break is maintained
- Tab is replaced with spaces. Number of spaces for each tab is defined in the settings of Maintain formatting (docx)

Rules for doc, pdf and epub and for docx when **Maintaining of formatting** is disabled

- Multiple spaces are replaced with one
- New paragraph is replaced with new line plus two spaces (indent)
- Page break is removed
- Tab is replaced by one space

### 3.3.1.6 View, edit and select braille layout

In the BRAILLE LAYOUT tab, the layouts of the V5 printer are presented and the active layout marked with "Active" and green.



#### Function in BRAILLE LAYOUT

- Set active layout
- Edit layout
  - Starts a wizard where the steps in advanced wizard can be edited and saved.
- Add layout.
  - A layout with next available number will be added. It will have the same parameters as the Active layout and be selected as the new Active layout.
- Delete layout
  - The selected layout will be deleted, it is not possible to delete Active layout.
- Backup and Restore Layouts
  - Local, the memory of the printer
  - USB, the USB memory connected to the V5 printer
  - Distributor defaults
- User defined paper
  - Create new paper (not supported in BrailleBox)
  - Delete paper
- User defined tables
  - Liblouis text-to-braille translation tables in .ctb .cti and .tbl are supported. This table may be selected in text-to-braille-translation in the layout.

### 3.3.1.7 Communication setup

The BrailleApp communication menu includes:

- USB
  - Safely remove USB media
- WiFi
  - WiFi on/off
    - Connected WiFi, SSID and IP address
    - Trusted WiFi Ap's range
    - WiFi in Ap's range
    - WiFi settings
      - Connect to hidden network
      - WiFi region settings
    - Hardware address of the printer, WiFi MAC address
- Wired network
  - Set static or dynamic (DHCP) network port
  - When DHCP is selected, the IP parameters are presented (Subnet Mask, Gateway, Dynamic Name Server, Alternative Name Server)
  - When static IP is selected, define above parameters
  - Hardware address of the printer, wired network MAC address
  - Hostname: edit and save hostname for the printer
- Bluetooth
  - Bluetooth on/off
  - Make printers discoverable
  - Paired Bluetooth devices

### 3.3.1.8 Monitor icons on BrailleApp

The monitor icon's is located on the top right side corner.

- Firmware update; Green=up to date, Red=new firmware is available
  - Update from Internet
  - Update from USB memory
- Bluetooth; blue = connected, flickering = trying to connect
  - on/off



- paired devices
- WiFi network; blue = connected, flickering = trying to connect
  - on/off
  - SSID and IP address
  - Disconnect, connect, etc
- Wired network; blue = connected, flickering=trying to connect
  - Present IP address
- USB memory stick; blue = USB memory stick is connected
  - Safely remove USB device
- Printer status; idle = green, printing = yellow, red = error
- Login access level, account setting and logout

As default login is disabled and the user have administrator access. Enable account settings by login/ account settings and select Enabled.

  - User green, default = userpassword  
Access to print and info
  - Administrator blue; default = adminpassword  
Access to print, braille layout, communication and info
  - Service red; default = service"serial number no spaces"  
In addition also access to the PROTECTED SERVICE menu with command center and system details.  
The service user should be used by authorized service technicians only.

### 3.3.1.9 Info page

Includes following information:

- Printer model
- Serial number
- Firmware version
- Printed pages
- Hammer batch
- Liblouis version
  - The "i" icon gives a link to Liblouis list of text-to-braille translation files in this Liblouis version.

### 3.3.2 Index-direct-Braille (idB)

#### idB supports:

- Braille in grade 0 (computer), 1 (literary), and 2 (contracted) translated by Liblouis text-to-braille translation files.  
By upgrading the firmware on V5 embosser, the Liblouis table are upgraded to latest revision.
- Word (.doc) files
- PDF (.pdf) files
- Word .docx file
- .epub file
- Page numbering
- Volume handling

[Link to Liblouis web site](#)

[Link to Liblouis V3.12.0 list of tables](#)

[Link to information about Index-direct-Braille](#)

[Link to firmware upgrade instructions](#)

#### 3.3.2.1 Printing from USB Memory stick

- An Index V5 printer.
- A USB memory stick.
- Standard text file (docx, doc, pdf, epub) using idB text-to-braille to translate and format following the Active Layout settings.
- Braille files (.ipf .brl, .brf), already translated to braille is printed directly.

#### Steps for printing

- Set up the Active Layout to your preferences.
- Press the MENU key on the control panel. It is also possible print from USB memory using the BrailleApp.
- Select Print / Print from USB memory stick.
- Find the file by using the arrow keys. The speech feedback will guide you to navigate the USB file structure (English folder and file names).
- Press OK to print the selected file.

### 3.3.2.2 Emboss with idB in Windows

- Save and close the file in Word as .doc, .docx, .epub or PDF format.
- Right click on the file from the list, and select Index-direct-Braille.
  - Select your printer model and click OK.
  - The file will now be transmitted to the selected Index printer.

### 3.3.2.3 Emboss with idB in Mac

- Open the document in your preferred editor/viewer program (Preview OS X).
- Go to file. Select Print and select an installed Index printer.
- The file will now be transmitted to the selected Index printer.

### 3.3.2.4 Emboss with idB in Linux

- Open the document in your preferred editor/viewer.
- Go to the file. Select Print and select an installed Index printer. Press OK.
- The file will now be transmitted to the selected Index printer.

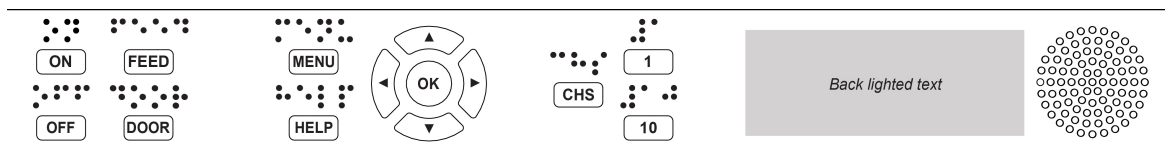
## 3.3.3 External braille editor

### Emboss with a commercial or freeware braille editor

The majority of braille editors available are compatible with Index Braille printers. For more information on compatible braille editors, please check below link:

[Link to more information about Braille editors](#)

## 4 Control panel



## 4.1 Menu summary

### 4.1.1 V5 menu

- About MENU mode:
  - When a function is completed, the printer goes into idle mode.
  - After 2 minutes on MENU mode, without any keystrokes, the printer will cancel changes automatically without saving and then go into idle mode.

#### 4.1.2 Key functions

TYPES	KEYS	FUNCTIONS
GENERAL KEYS	ON	Power on. Online mode. Cancel MENU function without saving.
	OFF	Pause embossing. Power off (hold OFF for 5 seconds).
	FEED	Feed paper. Eject paper.
	DOOR	Open or close braille tray. <b>BrailleBox only.</b>
	HELP	Speech feedback help information. Lighted when important information is available. Hold HELP for 15 seconds to start remote support.
MENU KEYS	MENU	Open MENU mode.
	ARROW UP	Move to previous MENU item. In idle mode, go to preferred layout, press OK to make it the active layout
	ARROW DOWN	Move to next MENU item.
	ARROW LEFT	Move to a higher MENU level.
	ARROW RIGHT	Move to lower MENU level. Move to next step in wizard.
OK	Select, save, open, close and start. Confirm action with OK.	
NUMBER KEYS	1	Normally "1" represents the value 1.
	10	Normally "10" represent value 10. Run paper arm release sequence. <b>BrailleBox only.</b>
	CHS	Toggle between increase and decrease. Restart the printer. Hold CHS for 10 seconds.

<b>DOUBLE KEYS</b>	<b>OFF + FEED</b>	Stop embossing.
	<b>FEED + FEED</b>	Place paper in emboss position. <b>Basic and FanFold.</b>
	<b>FEED + OFF</b>	Reverse the paper out of the printer. <b>Basic and FanFold.</b>
	<b>HELP + HELP</b>	Prints help information in letter graphics and braille.
	<b>HELP + CHS</b>	Toggle between local and English speech feedback.
	<b>Hold HELP + CHS</b>	<b>Pre-release channel:</b> Press down HELP, at the same time press the CHS key.
	<b>HELP + MENU</b>	Provide speech feedback in Active braille page layout. (characters per line and lines per page)
	<b>HELP + ON</b>	Print hammer test page.
	<b>Hold HELP + ON</b>	Start firmware upgrade from Internet
	<b>Hold HELP + OFF</b>	Start firmware upgrade from USB memory stick
	<b>HELP + OFF</b>	Safely remove USB memory stick.
	<b>HELP + FEED</b>	Light-up text indicates process sensors toggle between on and off.
	<b>Hold HELP + 1</b>	WiFi-Enabled/disabled
	<b>HELP + 10</b>	Provide speech feedback on available wired and/or Wi-Fi IP address.
	<b>Hold HELP + 10</b>	WiFi-disabled
	<b>HELP + ARROW RIGHT</b>	Start Wireless Protected Setup (WPS push button).
	<b>HELP + ARROW DOWN</b>	Start 'Insert transport locking wizard'. Follow the wizard instructions. After completed, the printer will restart.
	<b>FEED + ARROW RIGHT</b>	Only FanFold in paper out/jam stage. Move the paper out of the printer.
	<b>FEED + ARROW DOWN</b>	Power off paper feed motors, so the paper can be moved manually.

When it represents another value, it is presented by speech feedback.

### 4.1.3 Multiple layouts to customize

Index V5 printers are installed with 1-9 user-defined layouts.

#### Active layout

**The Active Layout is the current one in use.** All changes to the layout settings are made in the active layout. The layout includes paper size, braille page setup, page number position, idB text-to-braille translation and grade etc.

#### Select active layout

- **With arrow keys.** When the printer is in idle mode, press arrow up/down to go to the preferred layout. Then press OK to select it as the active layout. This is the same function as in Index V4 printers.
- **With MENU function.** Go to MENU / Braille layout / Select active layout / The Layouts are presented with "layout number, paper size and print format"
- **With the BrailleApp.** Go to BRAILLE LAYOUT, go to preferred layout and press the set-active-layout key. In the BrailleApp the complete list of parameters is presented.

### 4.1.4 Menu option V5

MAIN MENU	SUB MENU	FUNCTION	INFORMATION
Print	Print previous document	Print complete document.	Number of copies.
		Print part of document.	Page range.
	Print from USB memory	Select a folder or document with arrow keys up / down / right=in / left=out, and press OK to print.	Use idB printing following settings in Active Layout.
	Print demo files	Select a file and print.	The file name describes each document.
	Print braille manual	Select a language from the list.	Use Active Layout
	Print test document	Print, information page	print test document, print information page
		Print, hammer test	Print test document, print hammer test
Print, braille layout		Print test document, print braille layout +	

			press OK to start.
		Print, network information	Print test document, print network information
		Print, folding line test	
		Print, internal parameter value list	
		Print, step length for embossing head test	
		Print, delay time for solenoid test	
		Print, gap between print head test	Only BrailleBox
		Print, print head reference position test	BrailleBox, FanFold
		Print, distance from sensor to paper edge test	
<b>Braille layout</b>	Edit active layout 1-9	Standard layout wizard	
		<a href="#">Advanced wizard.</a>	
	User-defined paper	<a href="#">Wizard to create user defined paper</a>	BrailleBox has fix paper sizes
		Delete user-defined paper.	.
	Add layout	Add layout. The new layout is selected and has the same setting as the previous active layout.	The new layout gets the lowest available layout number.
	Delete layout	Delete a specific layout.	It is not possible to delete Active Layout.
	Backup layouts	Back up current layouts to USB memory.	
		Back up current layouts to internal memory.	
	Restore layouts	Restore layouts from USB memory.	
		Restore layouts from internal system memory.	
		Restore default distributor layouts.	
		Restore default factory layouts.	

	Select active layout	Select the active layout.	Maximum 9 layouts.
<b>Communication</b>	USB	Safely remove the USB memory stick.	
	Manage Wi-Fi network	Set WiFi power on/off	Link to set up Wi-Fi network from control panel.
		Current Wi-Fi network/ Disconnect, Forget	
		List known networks/ Disconnect, Forget	
		List Wi-Fi networks supporting WPS.	
		List all Wi-Fi networks/ Connect	
	Wizard for wired network	DHCP/Static IP: IP address, Netmask, Gateway, Dynamic Name Server.	
	Manage Bluetooth	Set Bluetooth power	
		Make Bluetooth discoverable	
		Forget device	
Speech feedback	Select volume.	Low/medium/high.	
	Select language.	Select from the list.	

MAIN MENU	SUB MENU	FUNCTION	INFORMATION
<b>User service</b>	Firmware update	Firmware upgrade from internet.	
		Firmware upgrade from USB memory stick.	
	Printing speed	Printing speed	Low/ Medium/ High/ Draft
	Wait before printing next document	on/off. When ON, press OK to printing next document	
	Light feedback for text on control panel	on/off:	



Paper out offset	Hood with knife/ Floor standing hood/ paper remain in print head	Only Basic-D
Adjust cut of position, hood with knife	Fine adjustment for hood with knife	Only Basic-D
Set paper jam sensor	on/off	Basic-D and FanFold
Adjustable line spacing	yes/no; Adjust line spacing with +/- 2.0 millimeters	Basic-D and Everest-D
Paper step length calibration	Everest BrailleBox FanFold	Links to FAQ FAQ Everest FAQ BrailleBox FAQ FanFold
Distance from paper sensor to paper edge	Distance in millimeters	
Reference position of print heads	BrailleBox and FanFold only	BrailleBox, FanFold, Link, FAQ
Calibration of braille tray door		BrailleBox only
Backup settings	Back up settings to USB memory.	
	Back up settings to internal memory.	
Restore settings	Restore settings from USB memory.	
	Restore settings from internal memory.	
Insert transport locking	Places the embossing head in transport position, power off.	

MENU	SUB MENU	FUNCTION	INFO
	Step length on embossing head	8 pages with alternative step lengths are printed. 0 is the default value. Select best option.	

Protected service (password protected)	<b>Delay time for solenoids</b>	8 pages with alternative delay time for solenoids are printed. 0 is the default value. Select best option.	
	<b>Gap between print heads</b>		<b>BrailleBox only</b>
	Command center	Start command center.	Internal factory functions
	Production test	Wizard for production test	
	Print production test	Print a defined number of pages suitable for testing a printer after service	
	Select embosser model	This function select which embosser model the high level CPU are installed. Same board for BB/FF and Basic/Everest/Juliet and Romeo.	

## 4.2 Wizards

Wizards are used to guide users through setup, calibration, adjustment etc. All wizards follow the same user interface structure and the speech feedback will provide further instructions.

- Start a wizard in the MENU structure
- Follow the wizard by pressing the right arrow to next step and left arrow to previous step.
- When edit a value, press:
  - OK to edit, Arrow up/down to select and OK again to save.
- Wizards are completed when pressing OK in the far right step "Wizard completed. Press OK to save".

### 4.2.1 Standard layout wizard

STANDARD WIZARD	GUIDELINES	ADDITIONAL INFORMATION
<b>Paper size</b>	Select paper size available in the region used in the printer	Asian, European, US, Russian, or Japanese
	If paper from other regions are needed, select advanced layout and select this region.	User defined paper size may be defined in <b>Basic-D and Everest-D only</b> .
<b>Print type</b>	Select from list.	<b>Basic-D:</b> Double/single, Z-folded double/single, and Z-folded sideways single/double-sided.

		<b>Everest-D</b> and <b>BrailleBox:</b> Double/single, and booklet double/single-sided.
<b>Folding line</b>	Select from list.	Available when booklet print type is selected.
<b>6 or 8 dots braille cell</b>	Select from list	6 or 8 dot setting here will present only if the Liblouis table support 6 or 8 dots.
<b>Text-to-braille translation table</b>	Select language, grade, and version.	Liblouis text-to-braille translation, G0 = computer braille, G1 = literary braille, G2 = contracted braille. Arrow up/down = 1 step, 1/10 = to next character in the alphabet
<b>Legacy braille translation table</b>	This ASCII to braille table is used when an ASCII sting .txt is transferred to the V5 printer directly without idB or the BrailleApp	Link to Legacy braille tables in V5 printer.
<b>Lines per page</b>	Edit with 1/10/CHS.	
<b>Top margin</b>	Select from list.	Available when margin space is available.
<b>Braille page number</b>	Select from list with position on the page.	Available when top and/or bottom margins are available.
<b>Characters per line</b>	Edit with 1/10/CHS.	
<b>Binding margin</b>	Select from list.	Available when binding margin space is available.  In booklet format the minimum binding margin is <b>1 character</b> .
<b>Wizard completed</b>	Press OK to save.	

### 4.2.2 Advanced layout wizard

The additional items in advanced wizard are marked with larger bold text.

ADVANCED WIZARD	GUIDELINES	ADDITIONAL INFORMATION
<b>Paper region</b>	<b>Europe, United States, Russia, Japan, South East Asia, World (all paper sizes)</b>	<b>User-defined paper is presented in all regions.</b>
Paper size	Select from list.	
First line offset	Distance from paper edge to first braille cell in millimeter	
Print type	Select from list.	<b>Basic-D:</b> Double/single, Z-folded double/single, and Z-folded sideways single/double-sided. <b>Everest-D and BrailleBox:</b> Double/single, and booklet double/single-sided.
Folding line	Select from list.	Available when booklet print type is selected.
<b>Line spacing</b>	<b>Select from list.</b>	<b>Currently support single or double line spacing.</b>
<b>Adjust line spacing</b>	<b>Adjustable line spacing</b>	<b>+/- 2,5 mm</b>
<b>Braille cell size</b>	<b>Select from list standard 2,5, Japanese 2.2, or Jumbo 3.2 mm</b>	<b>Supported in Basic-D and Everest-D.</b>
<b>6 or 8 dots braille cell</b>	Select from list.	
Text-to-Braille translation table	Used by idB when Word/pdf/txt document is printed. Select language, grade, and version.	G0=computer braille, G1=literary braille, G2=contracted braille.
<b>Legacy Braille translation table</b>	<b>Used by braille editors and IbPrint</b>	<a href="#">List of braille tables for Index V5.</a>
Lines per page	Edit with 1/10/CHS.	
Top margin	Select from list.	Available when margin space is available.
Braille page number	Select from list with position on the page.	
Characters per line	Edit with 1/10/CHS.	
Binding margin	Select from list.	Available when binding margin space is available. In booklet format the minimum binding margin is <b>1 character</b> .

<b>Volume separation</b>	<b>Number of pages in each braille volume, select from list.</b>	<b>Divide a document into volumes. Each booklet holds maximum of 80 pages per volume.</b>
<b>Braille volume number</b>	<b>Add "V1" (Volume 1) on the left side of the braille page number.</b>	<b>Enabled when:</b> <ul style="list-style-type: none"> <li>• Braille page number is ON.</li> <li>• Volume handling is ON.</li> </ul>
<b>Multiple impacts</b>	<b>Select 1 to 5 impacts one each braille dot</b>	<b>More than one impact is required when printing on labels or other thicker materials.</b>
Wizard completed	Wizard completed. Press OK to save.	

### 4.2.3 User defined paper wizard

User defined paper sizes are supported in Basic-D, Everest-D and FanFold.

<b>User defined paper</b>	Go to Menu/ Braille layout/ User defined paper/ Wizard to create user defined paper.	Arrow right or left for moving in the wizard. Press OK to open for editing a value
Next empty paper number 1-9	User defined paper no # (1-9), paper size units	Move between wizard steps with arrow right (next step) or arrow left (previous step)
Paper size units	Select mm or inch (Basic-D, FanFold-D only inch)	Press arrow right to next step
Paper width	Edit paper width	Edit; arrow up/arrow down = 50 mm or 1 inch, 10 = 10 mm or 1/2 inch, 1 = 1 mm or partial inch. CHS= change to plus or minus
Paper length	Edit paper length	
Complete wizard	Press OK to save your user defined paper	

### 4.2.4 User service wizards

#### 4.2.4.1 Adjust paper out offset wizard

Wizard steps	<b>Menu/ user service// Paper out settings/ Wizard to adjust cut off position</b>	For Basic-D when used with Index Acoustic hood with cutting mechanism
Load fresh paper	Load fresh paper and press OK to continue	
Move to cut off position, cut the paper	Cut the paper, press OK to continue	The printer moves the paper into cut-off position Cut-off the paper with the cutting mechanism
Measure and Adjust	Measure the deviation between cutting position and paper perforation, press OK to adjust.	Arrow up to increase 0,1 mm Arrow down to decrease 0,1 mm
End of wizard	Press OK to save	

#### 4.2.4.2 Paper step-length calibration, FanFold

This function calibrates the paper movement made by 4 pair of soft rollers to fit the movement of the paper tractors.

Menu position	<b>Menu/ user service/ Paper step-length calibration</b>	
Preparation 3 sheets	Separate the paper into three contiguous paper sheets.	Make sure that the the same paper size is selected in active layout as the calibration paper
Paper in tractors	Put the three contiguous paper sheets in the tractors and press OK to load.	
Paper on top of the tractors	Open the lids on both tractors. Remove the paper and close the lids again. Put the paper above the tractors. Press OK to calibrate.	
Unload paper	Press OK to unload paper	
Complete	Wizard completed, press OK to save.	

#### 4.2.4.3 Paper step-length calibration, EV/BB

Menu position	<b>Menu/ user service/ Paper step-length calibration</b>	
Insert paper	Insert paper into the sheet-feeder	Make sure that the the same paper size is selected in active layout as the calibration paper
Confirm paper size	Press OK to confirm correct paper size and start calibration	
Measure one paper	One paper sheet is now moved through the printer and the step-length	
	Print, Braille Layout	(A page with current layout will be printed)
	Press OK to close door	BrailleBox only
Complete	Wizard completed, press OK to save or ON to cancel	

#### 4.2.4.4 Distance from sensor to paper edge

For Everest-D and BrailleBox

Start wizard	<b>Menu/ user service/ Braille adjustments/ Wizard for distance from sensor to paper edge</b>	
Print, distance from sensor to paper edge test	Prints a pattern with dots where the line of single dot should be on the paper edge	

Edit "set distance from paper sensor to paper edge"	Press OK to open for edit, 1/10 to adjust and OK to save	1=0,1 mm and 10=1 mm. Increased value moves the braille block into the paper.
Print "folding line test page"	Check folding line position. If OK press arrow right	
End of wizard	Press OK to save	