

Index V5 Braille Printer Manual



2017 April

**INDEX**
BRAILLE

Contents

1. Safety information	1
1.1 Approvals	1
2. Index V5 printer overview	2
2.1 Backlit text on all models	2
2.2 Basic-D	3
2.2.1 LED feedback Basic-D	4
2.3 Everest-D	5
2.3.1 LED feedback Everest-D	6
2.4 BrailleBox	7
2.4.1 LED feedback BrailleBox	8
2.4.2 Electrical connectors BrailleBox	8
3. Installation	9
3.1 Getting started	9
3.1.1 Unpacking of the printer	9
3.1.2 Speech feedback	10
3.1.3 Firmware upgrade	10
3.2 Index Braille Printer Driver	11
3.2.1 Install to USB port	11
3.2.2 Network connection	12
3.2.2.1 Wired IP network setup	12
3.2.2.2 Wizard for static IP address	12
3.2.2.3 Wi-Fi network setup	13
3.2.2.4 Reservation of IP address on DHCP	13
3.3 Printing braille	13
3.3.1 Index-direct-Braille (idB)	14
3.3.1.1 Printing with the Web App	14
3.3.1.2 Printing from USB memory stick	16
3.3.1.3 Emboss with idB in Windows	17
3.3.1.4 Emboss with idB in Mac	17
3.3.1.5 Emboss with idB in Linux	17
3.3.2 External braille editor	17
4. Control panel	18
4.1 Menu summary	18
4.1.1 V5 menu	18
4.1.2 Key functions	19
4.1.3 Multiple layouts to customize	20
4.1.4 Menu option V5	21
4.2 Wizards	24
4.2.1 Standard layout wizard	24
4.2.2 Advanced layout wizard	26
4.2.3 User-defined paper wizard	27

1 Safety information

- Securely place the printer on a stable surface.
- Keep the ventilation inlets and outlets of the braille printer free.
- Connect the braille printer to a grounded power outlet only.
- Acoustic Hoods are recommended, for reducing noise level.
- BrailleBox is a class A product. In the unlikely event it causes radio interference, increase the distance between BrailleBox and the device.

1.1 Approvals

FCC Compliance

This device contains FCC ID: PVH0953

This equipment has been tested and found to comply with the limits for a Class B digital device, pursuant to Part 15 of the FCC Rules. These limits are designed to provide reasonable protection against harmful interference in a residential installation. This equipment generates, uses and can radiate radio frequency energy and, if not installed and used in accordance with the instructions, may cause harmful interference to radio communications. However, there is no guarantee that interference will not occur in a particular installation. If this equipment does cause harmful interference to radio or television reception, which can be determined by turning the equipment off and on, the user is encouraged to try to correct the interference by one or more of the following measures:

- Reorient or relocate the receiving antenna
- Increase the separation between equipment and receiver
- Connect the equipment into an outlet on a circuit different from that to which the receiver is connected

Consult the dealer or an experienced radio/TV technician for help.

IC compliance

This device contains IC: 5325-0953

This device complies with Industry Canada license-exempt RSS standard(s).

Operation is subject to the following two conditions:

this device may not cause interference, and this device must accept any interference, including interference that may cause undesired operation of the device. Under Industry Canada regulations, this radio transmitter may only operate using an antenna of a type and maximum (or lesser) gain approved for the transmitter by Industry Canada. To reduce potential radio interference to other users, the antenna type and

its gain should be so chosen that the equivalent isotropically radiated power (e.i.r.p.) is not more than that necessary for successful communication. The device for operation in the band 5150-5250 MHz is only for indoor use to reduce the potential for harmful interference to co-channel mobile satellite systems; the maximum antenna gain permitted for devices in the bands 5250-5350 MHz and 5470-5725 MHz shall comply with the e.i.r.p. limit; and the maximum antenna gain permitted for devices in the band 5725-5825 MHz shall comply with the e.i.r.p. limits

Conformité aux normes d'IC

Cet appareil est conforme à la(aux) norme(s) RSS sans licence d'Industry Canada.

Son utilisation est soumise aux deux conditions suivantes :

Cet appareil ne doit pas causer d'interférences et il doit accepter toutes interférences reçues, y compris celles susceptibles d'avoir des effets indésirables sur son fonctionnement. Conformément aux réglementations d'Industry Canada, cet émetteur radio ne peut fonctionner qu'à l'aide d'une antenne dont le type et le gain maximal (ou minimal) ont été approuvés pour cet émetteur par Industry Canada. Pour réduire le risque d'interférences avec d'autres utilisateurs, il faut choisir le type d'antenne et son gain de telle sorte que la puissance isotrope rayonnée équivalente (p.i.r.e) ne soit pas supérieure à celle requise pour obtenir une communication satisfaisante. Le dispositif de fonctionnement dans la bande 5150-5250 MHz est réservé à une utilisation en intérieur pour réduire le risque d'interférences nuisibles à la co-canal systèmes mobiles par satellite, le gain d'antenne maximal autorisé pour les appareils dans les bandes 5250-5350 MHz et 5470-5725 MHz doit se conformer à la pire limite, et le gain d'antenne maximal autorisé pour les appareils dans la bande 5725-5825 MHz doivent être conformes avec le pire limites spécifiées à point-à-ponctuelles et non point-à-point de fonctionnement selon qu'il convient. Opération dans la bande 5600-5650 MHz n'est pas autorisée au Canada. Haute puissance radars sont désignés comme utilisateurs principaux (c.-à-utilisateurs prioritaires) des bandes 5250-5350 MHz et 5650-5850 MHz et que ces radars pourraient causer des interférences et / ou des dommages à dispositifs LAN-EL. Cet équipement respecte les limites d'exposition aux rayonnements IC RSS-102 définies pour un environnement non contrôlé. Il doit être installé et utilisé en maintenant une distance minimum de 20 cm entre le radiateur et votre corps.

Bluetooth Qualification

This device contains Bluetooth module qualified as "Controller system" - QD ID 58171

2 Index V5 printer overview

Speech feedback refers to the echo in the printer.

2.1 Backlit text on all models

Bluetooth, Wi-Fi, Network: Flicker when available, and light up when connected.

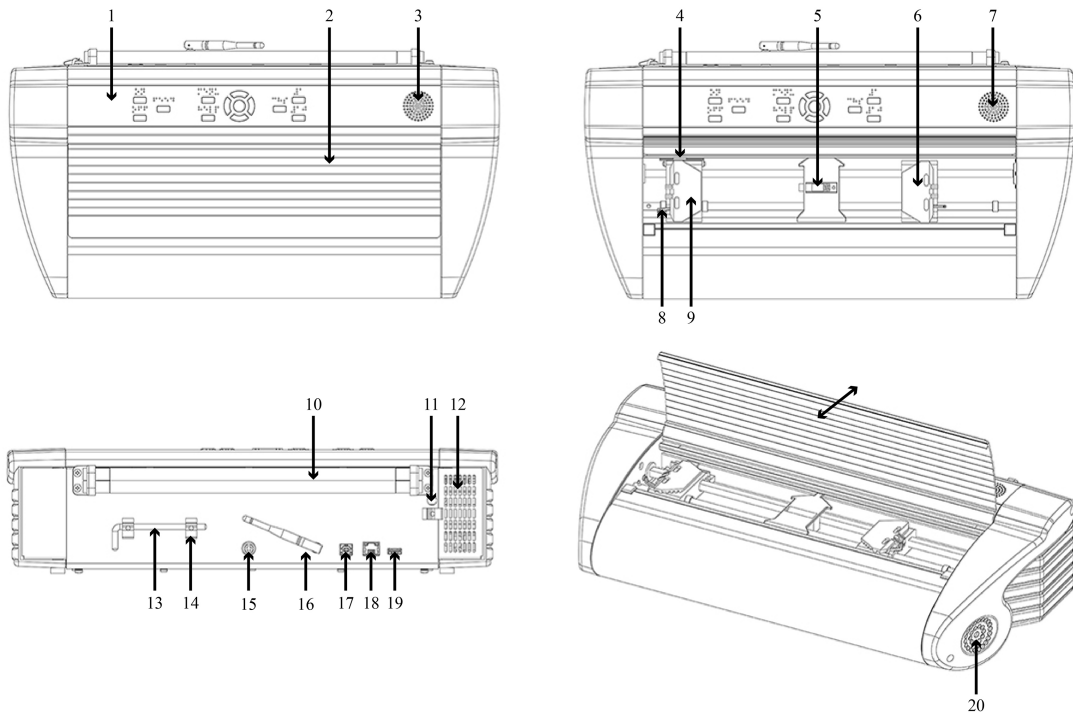
idB: Flicker during translation, and light up during printing with idB.

UPDATE: Require a network connection. Activated when the printer is connected to a network with internet access. It lights up when an update is available and flickers during a firmware upgrade.

PAPER JAM: Light up when there is a paper jam.

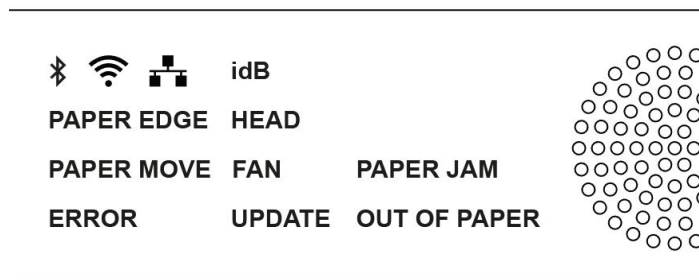
ERROR: Light up when there is an error. Press HELP for more information.

2.2 Basic-D



- | | |
|----------------------------------|---------------------------------|
| 1. Control panel | 10. Paper rollers |
| 2. Lid | 11. Hole for transport lock |
| 3. Speaker | 12. Ventilation inlet |
| 4. Optical paper movement sensor | 13. Transport lock |
| 5. Optical paper edge sensor | 14. Transport lock holder |
| 6. Right tractor | 15. Power input 48V DC |
| 7. Speaker | 16. Wi-Fi and Bluetooth antenna |
| 8. Tractor release lever | 17. USB 2.0 device port |
| 9. Left tractor | 18. Network port (100 MB) |
| | 19. USB host port |
| | 20. Ventilation outlet |

2.2.1 LED feedback Basic-D



PAPER MOVE: Flicker when paper is moving.

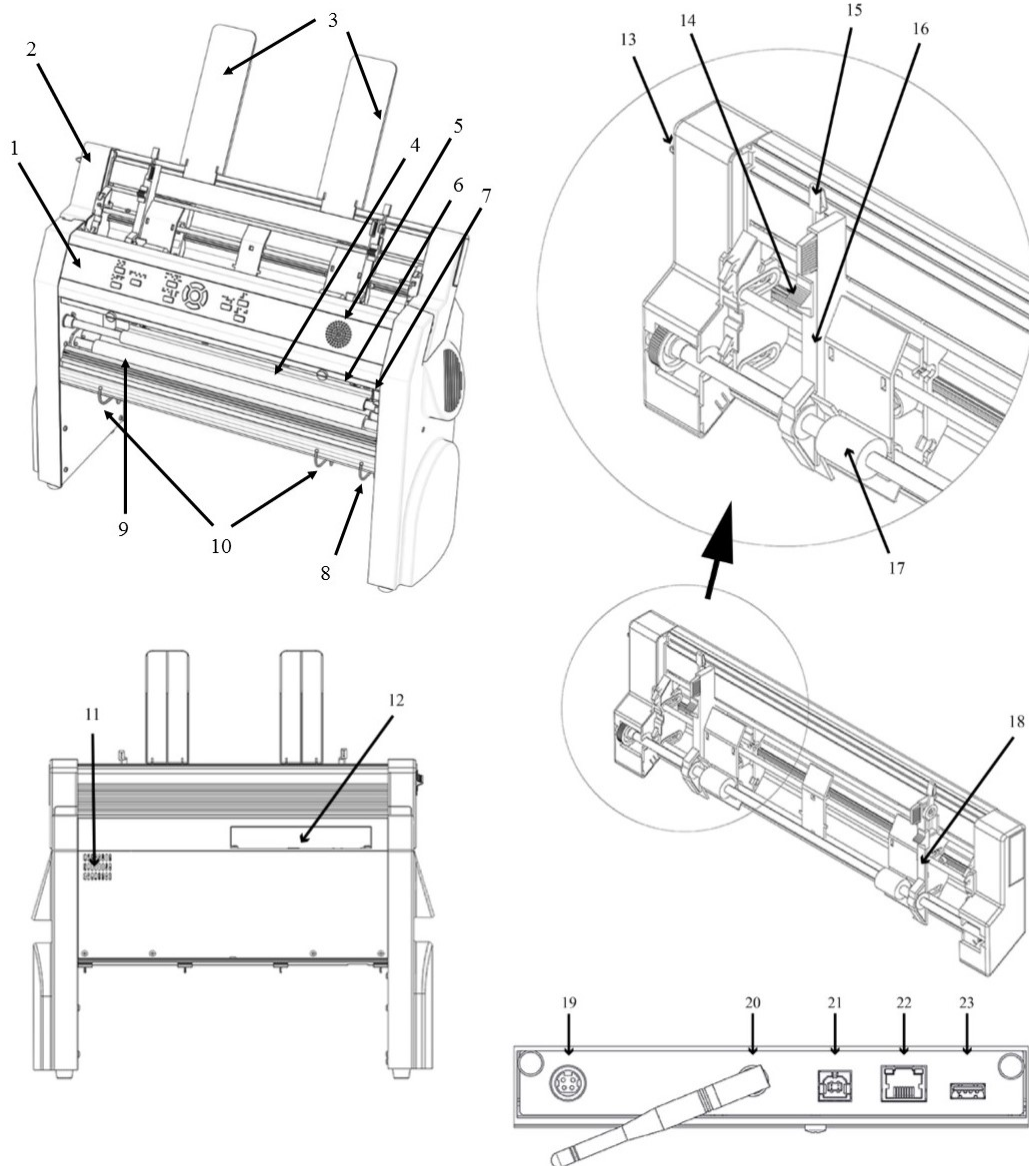
PAPER EDGE: Light up when paper is in front of the paper edge sensor.

HEAD: Light up when the print head is in the home position.

FAN: Light up when the fan is on.

OUT OF PAPER: Light up when there is no paper in the paper tractor.



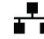
2.3 Everest-D



- | | |
|---|---|
| 1. Control panel | 11. Ventilation outlet |
| 2. Sheet feeder | 12. Electrical connectors |
| 3. Paper guides | 13. Switch to close/open the sheet feeder |
| 4. Embossing head | 14. Card/sheet selectors (right/left) |
| 5. Speaker | 15. Locking levers for margin guides (right/left) |
| 6. Optical paper edge sensor | 16. Left margin guide |
| 7. Optical embossing head reference position sensor | 17. Pick-up rollers |
| 8. Outer guides for adjusting paper out profile angle | 18. Right margin guide |
| | 19. Power input 48V DC |

- | | |
|--|---------------------------------|
| 9. Paper movement rollers | 20. Wi-Fi and Bluetooth antenna |
| 10. Inner guides to stabilize paper out ejection | 21. USB 2.0 device port |
| | 22. Network port (100 MB) |
| | 23. USB host port |

2.3.1 LED feedback Everest-D

			idB
PAPER IN	HEAD		
FEED	FAN	PAPER JAM	
ERROR	UPDATE	OUT OF PAPER	



PAPER IN: Light up when paper is in front of the paper edge sensor.

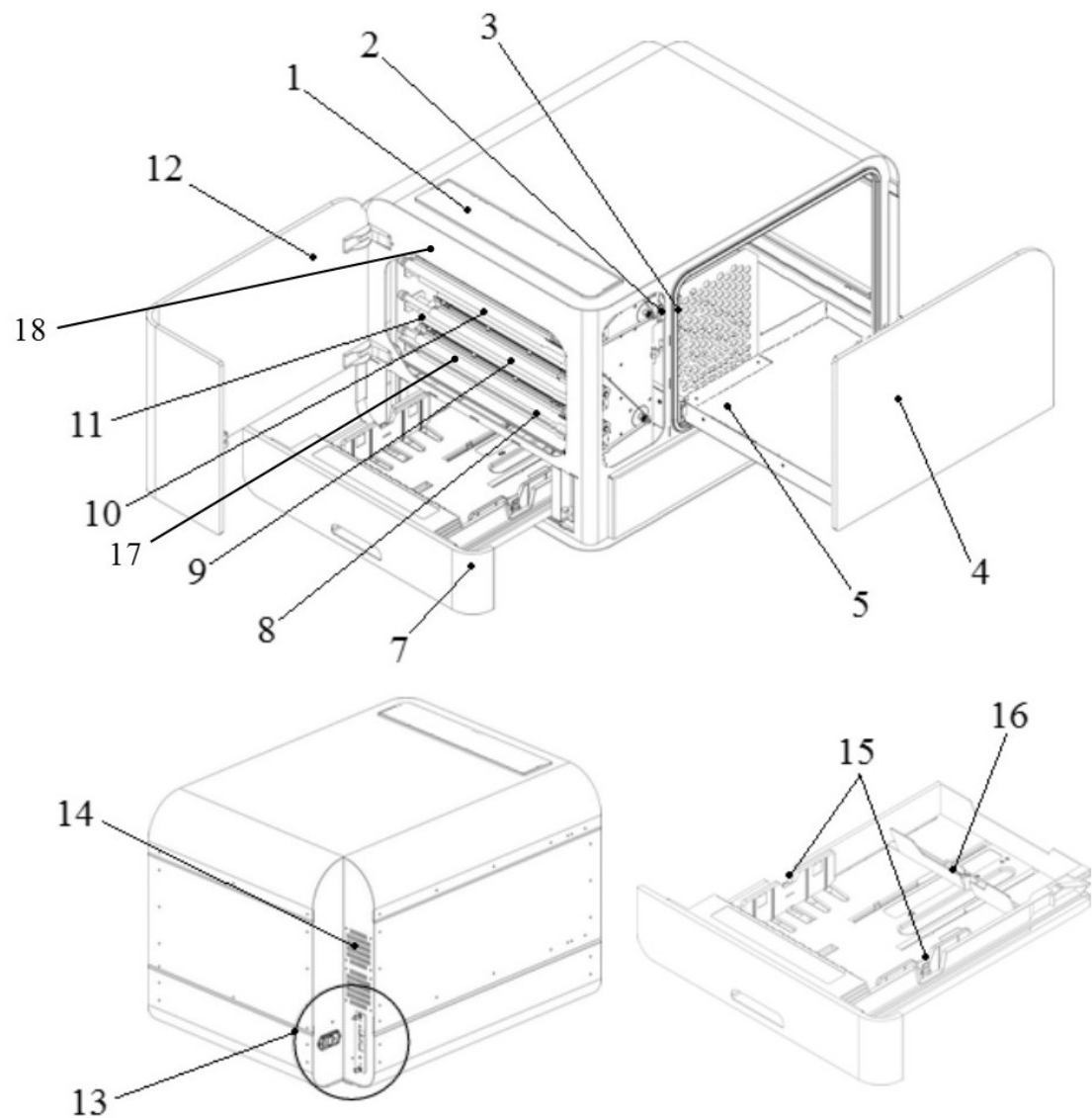
FEED: Light up when paper motor is on.

HEAD: Light up when the print head is in the home position.

FAN: Light up when the fan is on.




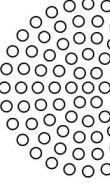
OUT OF PAPER: Light up when the paper tray is empty.

2.4 BrailleBox



- | | |
|------------------------------------|---------------------------|
| 1. Control panel | 9. Middle embossing head |
| 2. Optical sensor for service door | 10. Top embossing head |
| 3. Optical sensor for braille tray | 11. Paper rollers |
| 4. Braille tray | 12. Service door |
| 5. Braille stack guide | 13. Electrical connectors |
| 7. Paper tray | 14. Ventilation |
| 8. Bottom embossing head | 15. Paper guides |
| | 16. Rear paper stop lever |
| | 17. Paper-in sensor |
| | 18. Paper-out sensor |

2.4.1 LED feedback BrailleBox

  	idB	
PAPER IN	PAPER TRAY	
PAPER OUT	BRaille TRAY	
OUT OF PAPER	SERVICE DOOR	
BRaille STACK	PAPER JAM	
ERROR	UPDATE	

PAPER IN: Light up when paper has begun feeding and reaching the paper-in sensor.

PAPER OUT: Light up when paper reaches the paper-out sensor.

OUT OF PAPER: Light up when the paper tray is empty.

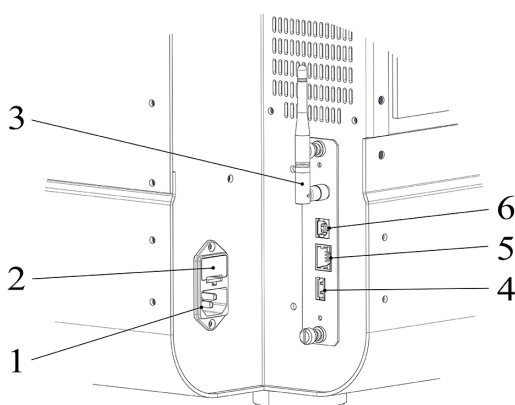
BRaille STACK: Light up when the braille stack is too high.

PAPER TRAY: Light up when the paper tray is open.

BRaille TRAY: Light up when the braille tray is open.

SERVICE DOOR: Light up when the front service door is open.

2.4.2 Electrical connectors BrailleBox



1. Power input 100-240V, 50-60 HZ, grounded outlet

2. Fuse 6,3 A/250V slow blow

3. Wi-Fi and Bluetooth antenna

4. USB host port

5. Network port (100 MB)

6. USB 2.0 device port

3 Installation

3.1 Getting started

3.1.1 Unpacking of the printer

Unpack the printer gently and check all items. **Keep the packing material and transport locks.** The two (2) year warranty on parts remains valid only if the printer is transported in original packaging, and the transport locks are properly in place.

The following items are included in shipment:

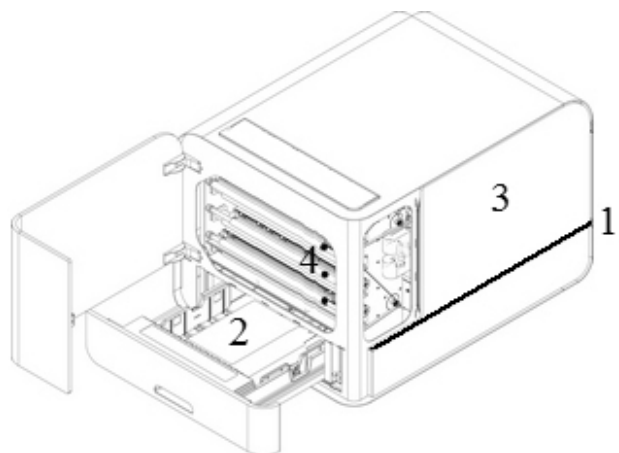
- Braille printer
- User manual
- Index USB memory stick
- Power cord
- USB cord
- External power supply for Basic-D and Everest-D
- Transport locks

Basic-D, Everest-D and BrailleBox

- Power on the printer without connecting the USB cord.
- The 'Wizard to remove transport locking' will start automatically.
- Follow the wizard steps. When completed, the printer will restart and is ready to be used.

BrailleBox picture

1. Rubber seal
2. Accessories kit box
3. Braille tray glass
4. Print head transport locks



BrailleBox

1. Open the paper tray. Remove the accessories kit box from the paper tray. Turn on the printer.
2. The wizard will start.
3. Follow the wizard steps.

3.1.2 Speech feedback

The speech feedback is set to English (default factory setup).

In April 2017 the following languages are available:

Arabic, Dutch, English (Indian), English (UK), English (US), Finnish, French, German, Italian, Korean, Mandarin, Norwegian, Portuguese (Brazil), Portuguese (Portugal), Russian, Spanish (Colombia), Spanish (Mexico), Swedish and Turkish.

3.1.3 Firmware upgrade

Index printer can be upgraded to latest firmware free of charge. It is highly recommended to upgrade the firmware when installing a new Index V5 printer. The upgrade includes bug fixes and new or improved functionality. Please find detailed information on www.indexbraille.com

Upgrade via Internet connection

When the V5 printer is connected to internet, it checks for an update automatically. The UPDATE text lights up indicates that new update is available.

Start upgrade by selecting:

MENU / User service / Firmware upgrade / Firmware upgrade from internet / OK to start.

Upgrade via USB memory stick

- Download the latest V5 firmware on [Index Braille Support / Download V5 firmware](#). File name example: **Embosser-update-2016-12-15.zip**.
- Save the V5 firmware file to a USB memory stick.
- Insert the USB memory stick into the V5 printer.
- Start the upgrade by pressing:
MENU / User service / Firmware upgrade / Firmware upgrade from USB memory stick / OK to start.

The UPDATE text lights up during the upgrade process. The speech feedback is activated. **Do not power off the printer during an upgrade.** The upgrade process may take 5-15 minutes and is completed when the printer restarts automatically.

3.2 Index Braille Printer Driver

Index software and printer drivers for Index Braille printers may be installed from the USB memory stick, included in the shipment or by downloading them from www.indexbraille.com.

3.2.1 Install to USB port

All Index printers require the Index Braille Printer Driver to function properly on a USB port. **Install the Index Braille Printer Driver in your computer before connecting the printer to the USB device port.**

To find the current version of the Index Braille Printer Driver for your printer, access the control panel in your computer by selecting:

- Control Panel / Uninstall a program / Index Braille Driver.
- The current version number is shown on the right hand column, listed under versions.

Windows

To install Index Printer Driver 8.x or higher, suitable for Windows XP, Vista, Win 7, Win 8, Win 10, follow these steps:

1. Close all applications on your PC.
2. Download [Index Printer Driver 8.x or higher](#).
3. Right click the driver installation file and select "Run as administrator" and follow the installation wizard.
4. Connect the supplied USB cord.
5. Turn on the printer.
6. For Windows Vista and later versions, the Plug & Play Found new hardware wizard will complete the USB installation.

[Link to install Index Printer Driver on Mac OS X](#)

[Link to install Index Printer Driver on Linux \(Debian/Ubuntu\)](#)

3.2.2 Network connection

The Wi-Fi and wired network icons (blue), light up when a wired network or Wi-Fi is connected. During network search, the network icon flickers.

Get the network IP address by pressing:

- HELP + 10 Speech feedback IP address.
- HELP + 1 Print in letter graphics and braille.

Once the Wi-Fi or wired network has been connected, the printer will remember the network name (SSID) and password.

Connect Wi-Fi network

- When a known network is available, the Wi-Fi icon flickers during the network search.
Speech feedback: "Wi-Fi network connected. IP number XXX, SSID name".
- When no known network is available, the Wi-Fi icon light is off.
Speech feedback: "No known network available".

3.2.2.1 Wired IP network setup

In Index V5 January 2017 Firmware and higher, **Wi-Fi network is enabled by default.**

First step to connect to a wired network

Plug in the network cord to a Local Area Network (LAN) with DHCP support.

- The wired network icon flickers when establishing a network connection.
- The network icon lights up when the network is connected to the internet.
- **HELP+10** The printer speech feedback: "Wired network ###.###.#.###", e.g. IP address: 192.168.4.14.
HELP+1 Print "Network information page" including IP address

3.2.2.2 Wizard for static IP address

MENU / Communication / Wizard for wired network / OK.

[Detailed information in this knowledge base link.](#)

3.2.2.3 Wi-Fi network setup

There are alternative ways to setup Wi-Fi network IP connection:

- Set up IP with the Web-App (Recommended)
- Set up IP with Wi-Fi setup file
- Set up with WPS (Wi-Fi Protected Setup - WPS button on the router)
- Set up Wi-Fi network from control panel

3.2.2.4 Reservation of IP address on DHCP

The best way to reserve a permanent IP address to a specific Index printer is via reservation of the MAC address of the printer to a specific IP address on the router. This is typically a task for the Network Administrator. For detailed information, **search on the internet for "Reservation of IP address on DHCP + (Your router name)".**

3.3 Printing braille

Index-direct-Braille (idB) is a direct printing application in Index V5 to print standard documents (Word type) in braille without using a traditional braille editor.

idB characteristics:

- Translate and format the braille printout following the settings in the **active layout**.
- Text-to-braille translation in literary or contracted braille (more than 140 languages)
- Format the text into braille page size (lines per page, character per line, margins, braille page number, volume page number)
- Latest idB functions are automatically installed when upgrading the V5 embosser firmware
- Support unlimited number of users in the local network.
- Free of charge.

For braille mathematics, music, tactile graphics, complex documents and proof reading functions, a separate braille editor is required.

3.3.1 Index-direct-Braille (idB)

idB supports:

- Braille in grade 0 (computer), 1 (literary), and 2 (contracted)
- Word XML (.docx) files
- Word (.doc) files
- PDF (.pdf) files
- Text (.txt) files
- Page numbering
- Volume handling (for braille books)
- Index V4 and V5 braille printers

idB uses the Liblouis open source braille translation system, which supports the majority of languages worldwide.

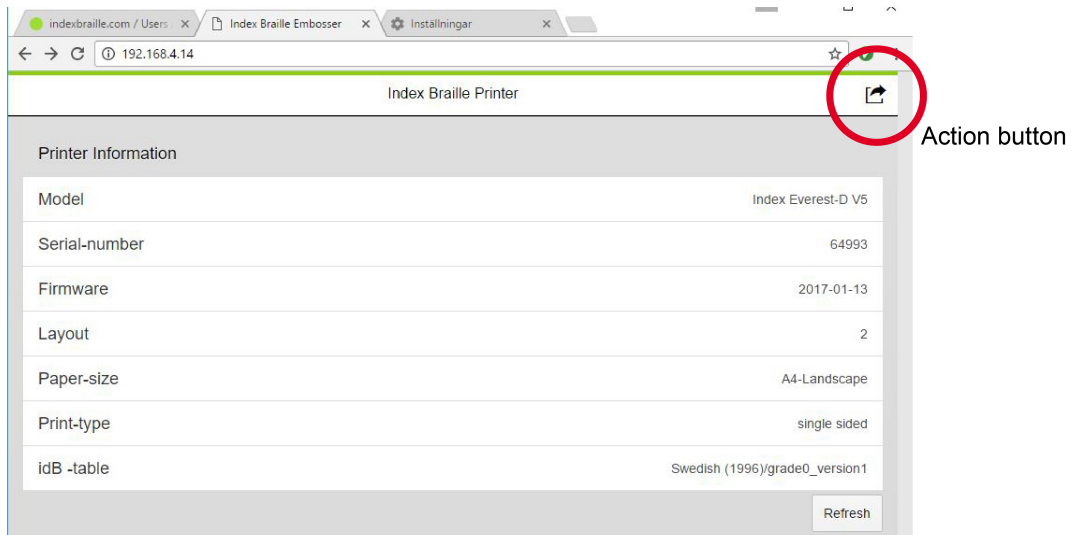
[Link to Liblouis website](#)

[Link to information about Index-direct-Braille](#)

[Link to firmware upgrade instructions](#)

3.3.1.1 Printing with the Web App

1. In order to get your printer IP address, press HELP + 10. Speech feedback: "IP number", e.g. "IP 192.168.4.14".
2. Start the web app by opening a search window on your browser. Make sure your device is connected to the same network as the V5 printer.
3. Type your printer IP number on the browser.
4. After a few seconds the web app interface will appear on your device. Please see below picture.



Web interface

Start the web app function by pressing the action button that provides menu options below:

- Print

Print standard files (.doc, docx, .pdf, .txt, .rtf) for idB translation/formatting or braille-ready files (.brl, .brf).

Browse your file. Preview function for formatted braille text in braille or text font is available.

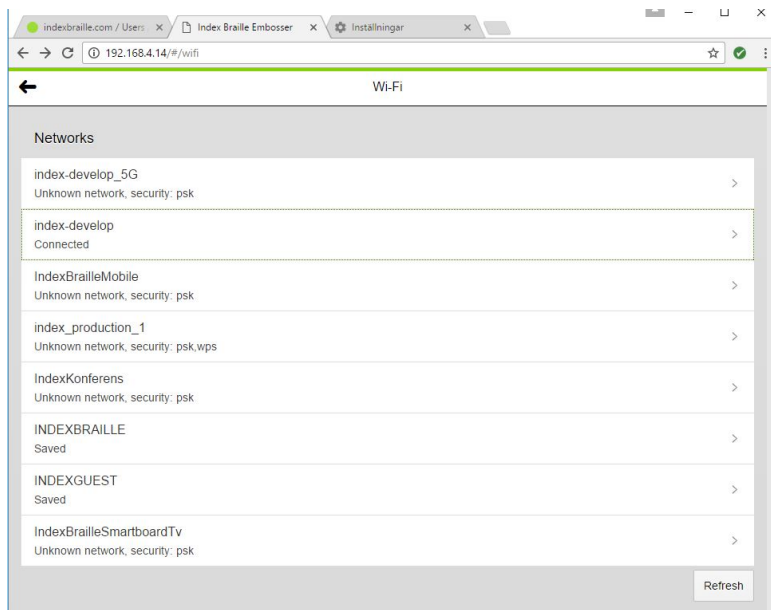
Upload the file.

- Wi-Fi

Available network is shown. The network on the top position is the network that has already been connected and has a strong signal.

Functions: Select, Connect, Forget, Insert password for new network, and Start WPS (Wi-Fi Protected Setup).

- Web App



Examples of available network

3.3.1.2 Printing from USB memory stick

- Index V5 printer.
- A USB memory stick.
- Standard text file (docx, doc, pdf, rtf, txt) using idB text-to-braille to translate and format to the braille page.
- Braille files (.brl, .brf) are printed without idB translation and formatting.

Steps for printing

- Set up the active layout, including page size, braille layout, page numbering, and braille translation language/grade (idB) to your preferences.
- Press the MENU key on the printer.
- Select Print / Print from USB memory stick.
- Find the file by using the arrow keys. The speech feedback will guide you to navigate the USB file structure.
- Press OK to print the selected file.
- On the control panel, the idB icon will flash during the translation and formatting process, normally a few seconds.
- During the idB braille printing process, the idB icon lights up.

3.3.1.3 Emboss with idB in Windows

- Save and then close the file in Word as .doc, .docx, .txt or PDF format.
- Right click on the file from the list, and then select Index-direct-Braille.
- Select your printer model and click OK.
- The file will now be transmitted to the selected Index printer.
- The flashing idB icon indicates ongoing text-to-braille translation process.
- Embossing of the braille document will start. The light-up idB icon indicates the idB use for the document.

3.3.1.4 Emboss with idB in Mac

- Open the document in your preferred editor/viewer program (Preview OS X).
- Go to file. Select Print and select an installed Index printer.
- The file will now be transmitted to the selected Index printer.
- The flashing idB icon indicates ongoing text-to-braille translation process.
- Embossing of the braille document will start. The light-up idB icon indicates the use of idB for the document.

3.3.1.5 Emboss with idB in Linux

- Open the document in your preferred editor/viewer.
- Go to file. Select Print and then select an installed Index printer. Press OK.
- The file will now be transmitted to the selected Index printer.
- The flashing idB icon indicates ongoing text-to-braille translation process.
- Embossing of the braille document will start. The light-up idB icon indicates the use of idB for the document.

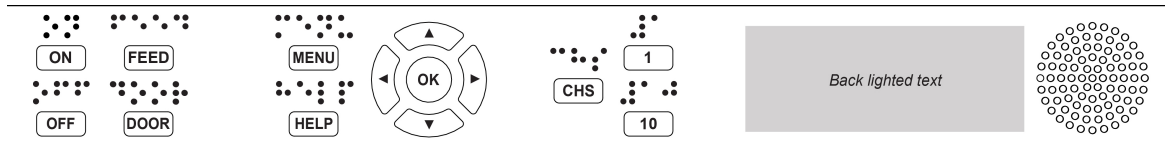
3.3.2 External braille editor

Emboss with a commercial or freeware braille editor

The majority of braille editors available are compatible with Index Braille printers. For more information on compatible braille editors, please check below link:

<http://www.indexbraille.com/en-us/support/braille-editor-software>

4 Control panel



4.1 Menu summary

4.1.1 V5 menu

- **ON**
 - Flickering ON: Ongoing startup process.
 - Light-up ON: The printer is on.
- **MENU** - Open MENU function.
 - Light-up MENU on display: MENU is open. Use the arrow keys to move within the MENU option and wizards.
- **OK**: Select or start a function.
- When a function is completed, the printer goes into idle mode.
- After 2 minutes on MENU mode, without any keystrokes, the printer will cancel changes automatically without saving and then go into idle mode.
- **HELP**: Provide speech feedback information about the current state of the printer.
 - Light-up HELP on display: Indicate if important information is available.

4.1.2 Key functions

TYPES	KEYS	FUNCTIONS
GENERAL KEYS	ON	Power on. Online mode. Cancel MENU function without saving.
	OFF	Pause embossing. Power off (hold OFF for 5 seconds).
	FEED	Feed paper. Eject paper.
	DOOR	Open or close braille tray. BrailleBox only.
	HELP	Speech feedback help information. To start remote support, hold HELP for 15 seconds. To start recovery mode, hold HELP during power on.
MENU KEYS	MENU	Open MENU mode.
	ARROW UP	Move to previous MENU item.
	ARROW DOWN	Move to next MENU item.
	ARROW LEFT	Move to a higher MENU level.
	ARROW RIGHT	Move to lower MENU level. Move to next step in wizard.
	OK	Select, save, open, close and start. Confirm action with OK.
NUMBER KEYS	1	Normally "1" represents the value 1.
	10	Normally "10" represent value 10. Run paper arm release sequence. BrailleBox only.
	CHS	Toggle between increase and decrease. Restart the printer. Hold CHS for 10 seconds.

DOUBLE KEYS	OFF + FEED	Stop embossing.
	FEED + FEED	Place paper in emboss position. Basic-D only.
	FEED + OFF	Reverse the paper out of the printer. Basic-D only.
	HELP + HELP	Print help information in letter graphics and braille.
	HELP + CHS	Toggle between local and English speech feedback.
	HELP + MENU	Provide speech feedback in active braille page layout.
	HELP + ON	Print hammer test page.
	HELP + OFF	Safely remove USB memory stick.
	HELP + FEED	Light-up text indicates process sensors toggle between on and off.
	HELP + 1	Print network information page.
	HELP + 10	Provide speech feedback on available wired and/or Wi-Fi IP address.
	HELP + ARROW RIGHT	Start Wireless Protected Setup (WPS push button).
	HELP + ARROW UP	Print internal parameter list.
	HELP + ARROW DOWN	Start 'Insert transport locking wizard'. Follow the wizard instructions. After completed, the printer will restart.

4.1.3 Multiple layouts to customize

Index V5 printers are installed with 1-9 user-defined adjustable layouts.

Active layout

The active layout is the current one in use. All changes to the layout settings are made in the active layout. The layout includes paper size, braille page setup, page number position, and idB text-to-braille translation.

Select active layout

1. When the printer is on idle mode, press arrow up/down to go to the preferred layout. Then press OK to select it as the active layout. This is the same function as

in Index V4 printers.

2. Alternatively, you can select an active layout in the menu structure by pressing:
MENU / Braille layout / Select active layout / Go to the layout you want to select as active, and then press OK.

Default distributor layout

Set up the printer to a specific distributor (region) layout by pressing:

MENU / Braille layout / Restore layout / Restore distributor default layout / Select distributor country, company name and press OK.

A default distributor layout includes:

- Number of layouts.
- All information specified in each layout wizard. The most significant information consists of
 - Paper size.
 - Print type, single/double-sided page, booklet, etc.
 - Text-to-braille translation when using idB.
 - Braille page layout, lines per page, characters per line, and margins.
 - Braille page number and position.

4.1.4 Menu option V5

MAIN MENU	SUB MENU	FUNCTION	INFORMATION
Print	Print previous document	Print complete document.	Number of copies.
		Print part of document.	Page range.
	Print from USB memory	Select a folder or document with arrow keys up/down/right (in)/left (out). Then press OK to print.	Use active layout settings.
	Print demo files	Select a file and print.	The file name describes each document.
	Print braille manual	Select language from list.	Use active layout settings.
	Print test	Print, embosser information.	

	document	Print, hammer test.	
		Print, braille layout.	
		Print, network information.	
	Print service document	Print, gap between print heads and braille line alignment.	BrailleBox only.
		Print, folding line test page.	Everest and BrailleBox only.
		Print, internal parameter value list.	
Braille layout	Edit active layout 1-9	Standard layout wizard	
		Advanced wizard.	
	User-defined paper	Wizard to create user defined-paper (Basic-D and Everest-D only).	Arrows, 1, 10, CHS and OK
		Delete user-defined paper.	It is not possible to delete it if it is used by any of the layouts.
	Add layout	Add layout. The new layout has the same setting as the active layout.	The new layout gets the lowest available layout number.
	Delete layout	Delete a specific layout.	It is not possible to delete active layout.
	Back up layouts	Back up current layouts to USB memory.	
		Back up current layouts to internal memory.	
	Restore layouts	Restore layouts from USB memory.	
		Restore layouts from internal system memory.	
		Restore default distributor layouts.	
		Restore default factory layouts.	
Select active layout	Select the active layout.	Layouts 1-9 may be defined.	
Communication	USB	Safely remove the USB memory stick.	
	Manage Wi-	Current Wi-Fi network.	Link to set up Wi-Fi

	Fi network	List known networks.	network from control panel.
		List Wi-Fi networks supporting WPS.	
		List all Wi-Fi networks.	
	Wizard for wired network	DHCP/Static IP: IP address, Netmask, Gateway, Dynamic Name Server.	
	Speech feedback	Select volume.	Low/medium/high.
Select language.		Select from list.	

MAIN MENU	SUB MENU	FUNCTION	INFORMATION	
User service	Firmware update	Firmware upgrade from internet.		
		Firmware upgrade from USB memory stick.		
	Printing speed	Adjust printing speed from the list.	High/normal	
	Paper out settings	Paper out offset. Basic-D only.		Hood with knife.
				Floor standing hood.
				Paper remains on print head.
		Wizard to adjust cut-off position. Basic-D only.	Hood with knife.	
	Braille adjustments	Paper Calibration	Everest and BrailleBox only.	
		Folding line adjustment wizard	Everest and BrailleBox only.	
		Gap between print heads wizard.	BrailleBox only.	
		Straight braille line wizard.	BrailleBox only.	
	Sensor control	Light feedback for text on control panel	Light on/light off	
		Temporarily disconnect safety sensors.	Password protected	
Backup settings	Back up configuration system file to USB memory.	General parameters for example: active		

		Back up to internal SD card.	layout, calibration, top off form, speech language, BrailleBox paper arms servo
	Restore settings	Restore configuration system file from USB memory. Restore settings from internal memory.	
	Insert transport locking wizard	Insert transport locking wizard.	

MENU	SUB MENU	FUNCTION	INFO
Protected service (password protected)	Command center	Start command center.	Internal factory functions
	Production test	Wizard for production test	
	Print production test		

4.2 Wizards

Wizards are used to guide users through setup, calibration, and adjustment, etc. All wizards follow the same user interface structure.

- Start a wizard by pressing MENU option. Press OK.
- Follow the wizard by pressing the right arrow key.
- If required to go back to the wizard, press the left arrow key. This will take you back to the previous step.
- If required to edit a value in the wizard, press:
OK to edit, Arrow up/down to select and OK again to save.
The speech feedback will provide further instructions.
- Press OK to start the automatic wizard process.
- Completed wizard is verified by the speech feedback: "Wizard completed. Press OK to save".

4.2.1 Standard layout wizard

STANDARD WIZARD	GUIDELINES	ADDITIONAL INFORMATION

Paper size	Select paper size available in the region used in the printer	Asian, European, US, Russian, or Japanese
	If paper from other regions are needed, select advanced layout and select the region.	User-defined paper size may be defined in Basic-D and Everest-D only.
Print type	Select from list.	Basic-D: Double/single, Z-folded double/single, and Z-folded sideways single/double-sided. Everest-D and BrailleBox: Double/single, and booklet double/single-sided.
Folding line	Select from list.	Available when booklet print type is selected.
Text-to-braille translation table	Select language, grade, and version.	Liblouis text-to-braille translation, G0=computer braille, G1=literary braille, G2=contracted braille.
Lines per page	Edit with 1/10/CHS.	
Top margin	Select from list.	Available when margin space is available.
Braille page number	Select from list with position on the page.	Available when top and/or bottom margins are available.
Characters per line	Edit with 1/10/CHS.	
Binding margin	Select from list.	Available when binding margin space is available. In booklet format the minimum binding margin is 1 character .
Wizard completed	Press OK to save.	

4.2.2 Advanced layout wizard

The additional items in advanced wizard are marked with larger bold text.

ADVANCED WIZARD	GUIDELINES	ADDITIONAL INFORMATION
Paper region	Europe, United States, Russia, Japan, South East Asia, World (all paper sizes)	User-defined paper is presented in all regions.
Paper size	Select from list.	
Print type	Select from list.	Basic-D: Double/single, Z-folded double/single, and Z-folded sideways single/double-sided. Everest-D and BrailleBox: Double/single, and booklet double/single-sided.
Folding line	Select from list.	Available when booklet print type is selected.
Line spacing	Select from list.	Currently support single or double line spacing.
Braille cell size	Select from list.	Supported in Basic-D and Everest-D.
Text-to-Braille translation table	Used by idB when Word/pdf/txt document is printed. Select language, grade, and version.	G0=computer braille, G1=literary braille, G2=contracted braille.
Legacy Braille translation table	Used by braille editors and IbPrint	<u>List of braille tables for Index V5.</u>
Lines per page	Edit with 1/10/CHS.	
Top margin	Select from list.	Available when margin space is available.
Braille page number	Select from list with position on the page.	
Characters per line	Edit with 1/10/CHS.	
Binding margin	Select from list.	Available when binding margin space is available. In booklet format the minimum binding margin is 1 character.
Volume separation	Number of pages in each braille volume, select from list.	Divide a document into volumes. Each booklet holds maximum of 80 pages per volume.
Braille volume	Add "V1" (Volume 1) on the left side of the braille page	Enabled when: <ul style="list-style-type: none"> • Braille page number is ON.

number	number.	• Volume handling is ON.
Multiple impacts	Select 1 to 5 impacts one each braille dot	More than one impact is required when printing on labels or other thicker materials.
Wizard completed	Wizard completed. Press OK to save.	

4.2.3 User-defined paper wizard

User-defined paper sizes are supported in Basic-D and Everest-D.

User-defined paper	Go to Menu / Braille layout / User-defined paper / Wizard to create user-defined paper.	Arrow right or left to move in the wizard. Press OK to edit a value and OK again to save the changed value.
Next empty paper number 1-9	User-defined paper no # (1-9), paper size units.	Move between wizard steps with arrow right (next step) or arrow left (previous step).
Paper size units	Select mm or inch.	Press arrow right to go to next step
Paper width	Edit paper width.	Press: arrow up/arrow down = 50 mm or 1 inch, 10 = 10 mm or 1/2 inch, 1 = 1 mm or partial inch. CHS= change to plus or minus
Paper length	Edit paper length.	Same as above. Press arrow right to go to next step.
Complete wizard	Press OK to save your user-defined paper.	